

BHL Series Fuse Holder



DESCRIPTION:

The ADLER BHL series fuse holders are designed to accommodate a range of semiconductor fuses with a max diameter of 3".

FEATURES:

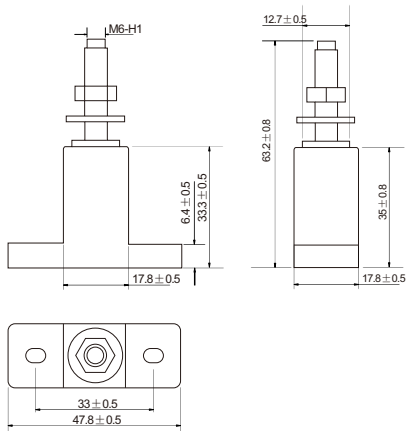
- Modular design reduces inventory requirements
- Sold in pairs for convenience
- Base Material: PF2A5-151J
- Operation Temperature: -40°C to 150°C
- Bolt Material: 35# Steel Galvanized

PARAMETERS

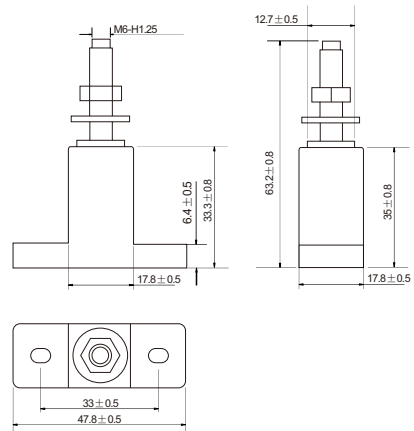
Part Number	BHL-M6	BHL-M8	BHL-3/8
Product Specifications	Max. Voltage: 1500 VDC	Max. Voltage: 1500 VDC	Max. Voltage: 1500 VDC
	Max. Current: 400A	Max. Current: 800A	Max. Current: 1200A
	Max. Torque: 6.0 N.m	Max. Torque: 13 N.m	Max. Torque: 20.0 N.m
	Bolt Size: M6	Bolt Size: M8	Bolt Size: 3/8"

DIMENSIONS (mm)

BHL-M6



BHL-M8



BHL-3/8

