

AE3 EV Fuse



DESCRIPTION

Adler AE3 series EV fuses are specially engineered and tested to provide best-in-class auxiliary protection and high-performance protection in managing systems of Electrical and Hybrid Electrical Vehicles, up to 850 Vdc with current ratings from 5 - 50A. The AE3 was specially built from the ground up to meet the stringent requirements and standards of the electric vehicle industry.

FEATURES

- Rated Current: 5-50A
- Max. BC: 20 kA@850 VDC
- Min. BC: 2In@850 VDC
- Time Constant: 2±0.5ms
- Size: 10x38mm
- General purpose fuse for EV/HEV auxiliary protection
- Recommended fuse holder: BH114

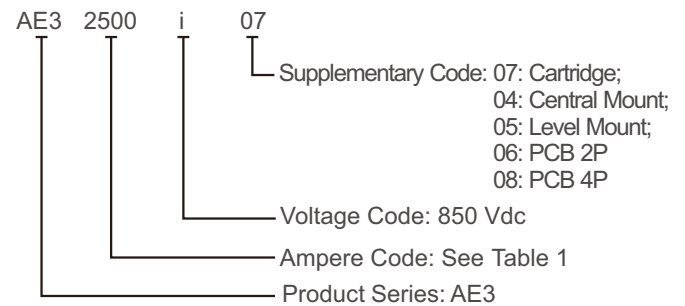
APPLICATIONS

- Battery pack protection
- Traction inverter protection
- Energy storage
- Power conversion
- High voltage power distribution
- Battery disconnect unit

AGENCY INFORMATION

- Designed to UL248-20; ISO 8820-8; JASO D622; GB/T 31465.6
- UL certified (E506666)
- Manufactured under IATF 16949 quality system
- RoHS and REACH Compliant

PART NUMBER SYSTEM



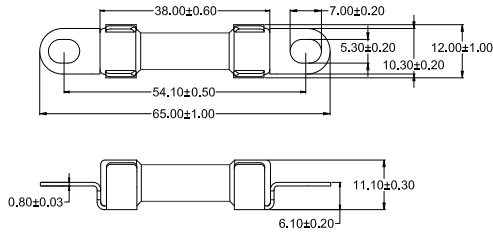
ELECTRICAL SPECIFICATIONS

PCB 4P					Rated Current	Ampere Code	Rated Voltage	Breaking Capacity	I ² t(A ² s)		Dissipation (1.0InW)	Certifications UL
				Pre-Arcing					Total			
AE31500i07	AE31500i04	AE31500i05	AE31500i06	AE31500i08	5A	1500	850 Vdc	20 kA @850 Vdc	105	182	2.2	●
AE31800i07	AE31800i04	AE		AE31800i08	8 A	1800			135	220	2.5	●
AE32100i07	AE32100i04	AE32100i05	AE32100i06	AE32100i08	10 A	2100			160	255	3	●
AE32150i07	AE32150i04	AE		AE32150i08	15 A	2150			370	620	2.5	●
AE32200i07	AE32200i04	AE32200i05	AE32200i06	AE32200i08	20 A	2200			820	1360	3.5	●
AE32250i07	AE32250i04	AE		AE32250i08	25 A	2250			1060	1505	3.5	●
AE32300i07	AE32300i04	AE32300i05	AE32300i06	AE32300i08	30 A	2300			1270	2190	4.7	●
AE32350i07	AE32350i04	AE		AE32350i08	35 A	2350			1745	2936	4.8	●
AE32400i07	AE32400i04	AE32400i05	AE32400i06	AE32400i08	40 A	2400			1980	3688	5.5	●
				AE32450i08	45 A	2450			2200	5219	5.8	●
AE32500i07	AE32500i04	AE32500i05	AE32500i06	AE32500i08	50 A	2500			3010	6750	6.8	●

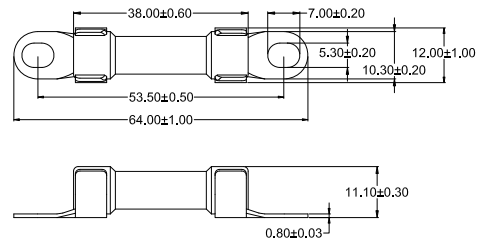
Table1 Note: 1. ●=Certification obtained. UL File number:E506666
2. Operational Temperature Range:-40°C to 125°C

DIMENSIONS (mm)

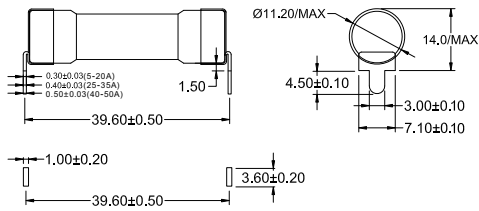
AE3xxxxi04



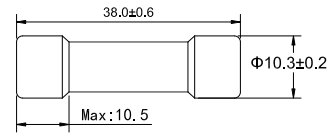
AE3xxxxi05



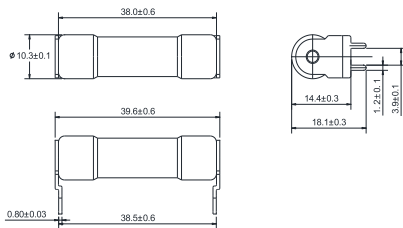
AE3xxxxi06



AE3xxxxi07



AE3xxxxi08



TIME VS CURRENT CHARACTERISTIC

Rated Current	110 %	135 %	150 %	200 %	300 %	500 %
5-50 A	>4 h	150s-1h	10-1000 s	0.5-100 s	0.1-15 s	0.05-1 s

TIME CURRENT CURVE

