

AE3 EV Fuse



FEATURES:

- 850 VDC automotive fuse
- Rated Current: 5-50 A
- Max. BC: 20 kA@850 VDC
Min. BC: 2In@850 VDC
- Time Constant: 1-3 ms
- Size: 10x38 mm
- General purpose fuse for EV/HEV auxiliary protection
- Approvals: UL (film: E506666)
- Ref. to UL248-20; ISO 8820-8; JASO D622; GB/T 31465.6
- Recommended fuse holder: BH114

ELECTRICAL SPECIFICATIONS

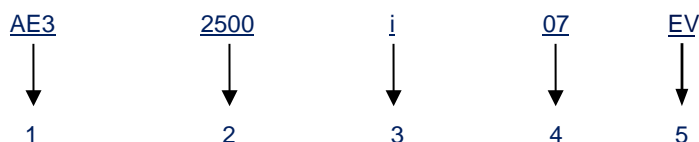
Part Number / Configurations					Rated Current	Ampere Code	Rated Voltage	Breaking Capacity	Certifications
Cylindrical	Central Mount	Level Mount	PCB 2P	PCB 4P					
AE31500i07EV	AE31500i04EV	AE31500i05EV	AE31500i06EV	AE31500i08EV	5A	1500	850 VDC	20 kA @850 VDC	•
AE31800i07EV	AE31800i04EV	AE31800i05EV	AE31800i06EV	AE31800i08EV	8A	1800			•
AE32100i07EV	AE32100i04EV	AE32100i05EV	AE32100i06EV	AE32100i08EV	10A	2100			•
AE32150i07EV	AE32150i04EV	AE32150i05EV	AE32150i06EV	AE32150i08EV	15A	2150			•
AE32200i07EV	AE32200i04EV	AE32200i05EV	AE32200i06EV	AE32200i08EV	20A	2200			•
AE32250i07EV	AE32250i04EV	AE32250i05EV	AE32250i06EV	AE32250i08EV	25A	2250			•
AE32300i07EV	AE32300i04EV	AE32300i05EV	AE32300i06EV	AE32300i08EV	30A	2300			•
AE32350i07EV	AE32350i04EV	AE32350i05EV	AE32350i06EV	AE32350i08EV	35A	2350			•
AE32400i07EV	AE32400i04EV	AE32400i05EV	AE32400i06EV	AE32400i08EV	40A	2400			•
AE32450i07EV	AE32450i04EV	AE32450i05EV	AE32450i06EV	AE32450i08EV	45A	2450			•
AE32500i07EV	AE32500i04EV	AE32500i05EV	AE32500i06EV	AE32500i08EV	50A	2500	•		

Note: Operational Temperature Range:-40°C to 125°C

TIME VS CURRENT CHARACTERISTIC

Rated Current	110%	135%	150%	200%	300%	500%
5-50 A	>4 h	150s - 1h	10-1000 s	0.5-100 s	0.1-15s	0.05-1 s

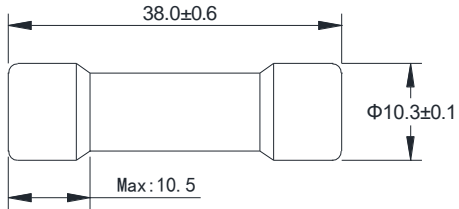
PART NUMBER SYSTEM



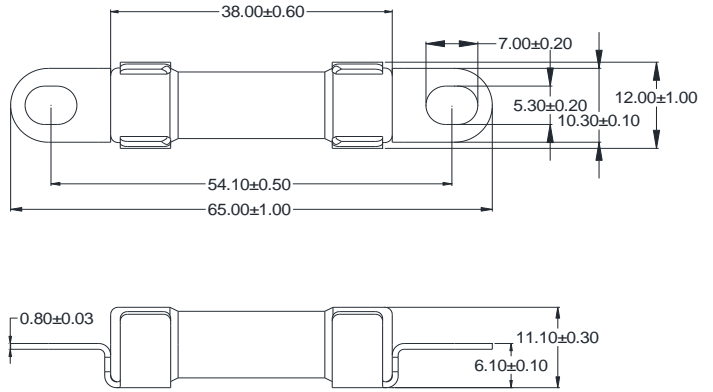
- 1Product Series AE3
- 2 Ampere Code 50 A (see ampere code column of electrical specifications)
- 3 Rated Voltage i - 850 V
- 4 Supplementary Code 07: Cylindrical; 04: Central Mount; 05: Level Mount; 06: PCB 2P; 08: PCB 4P
- 5 Application code EV

DIMENSIONS (mm)

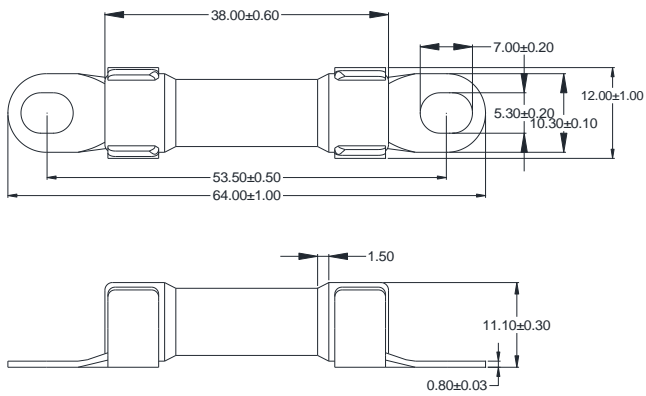
AE3xxxxi07EV



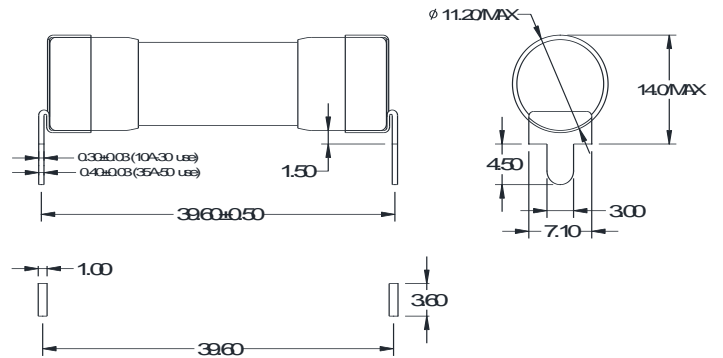
AE3xxxxi04EV



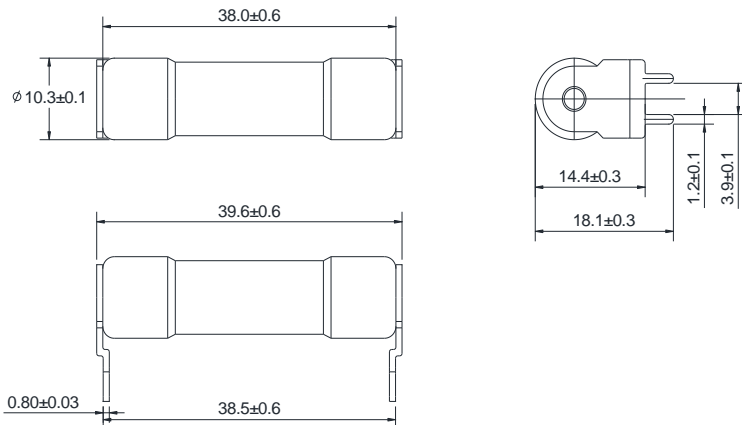
AE3xxxxi05EV



AE3xxxxi06EV



AE3xxxxi08EV



TIME CURRENT CURVE

