

SPC-0101

Rackmount Industrial PC



1

Full-Size/Half-Size Slot CPU Cards

2

SBC/Motherboard/Modules

3

Embedded Box PC

4

Network Application Computers

5

Industrial PC

6

HMI

7

EVOC Rugged Series

8

MCC Series

9

Chassis

10

Data Acquisition Boards & Modules

11

Accessories



Features

- Onboard Intel® Celeron® M processor
- Onboard 256MB system memory, optional 512MB
- Three 10/100Mbps Ethernet controllers
- PC/104-Plus connector
- Two USB2.0 ports, ten serial ports
- Supports dual DC 12V~30V wide-voltage redundant power supply

Specifications

System	
Processor	Onboard Intel® Celeron® M 600MHz or Pentium® M 1.1G/1.6G /1.8G/2.0G CPU
Chipset	Intel® 852GM+ICH4
Memory	Onboard 256MB system memory, optional 512MB
Hardware Monitor	Monitors the system status, voltage, temperature
Watchdog Timer	Software programmable supports 1~255 sec./min. System reset/interrupt
Expansion Interface	PC/104-Plus connectors, including one PCI-104 connector and one PC/104 connector

I/O Interface

USB	2 x USB2.0 port
Serial Port	10 x serial port (eight isolated high voltage-withstand RS-232/422/485 ports and two non-isolated RS232 not routed out of chassis)
PS/2	1 x PS/2
Parallel Port	1 x high speed parallel port not routed out of chassis, supporting SPP/EPP/ECP mode

Ethernet

Chipset	3 x Realtek 8139D Ethernet chip
Speed	10/100Mbps
Connector	3 x RJ45 LAN connector

Power

Power Supply	Supports dual DC 12V~30V wide-voltage redundant power supply
Power Consumption	Typical 15.6W

Test

Vibration	Amplitude 5~19Hz/1.2mm; acceleration 19~200Hz/1.2g
Shock	15g acceleration peak-peak, 11ms pulse
EMC/EMI	Limits of radio disturbance are compliant with GB9254-1998, Class A / Immunity to disturbance is compliant with the limits of GB/T17618-1998

Storage

IDE	1 x IDE port, 80G laptop hard disk with 44-pin IDE port
CF	1 x CompactFlash socket, mobile storage device in IDE mode, satisfying more expansion requirements

Onboard Video

Chipset	Intel® 852GM integrated graphics controller
Memory	64MB shared video memory
Display	VGA + LVDS dual-display

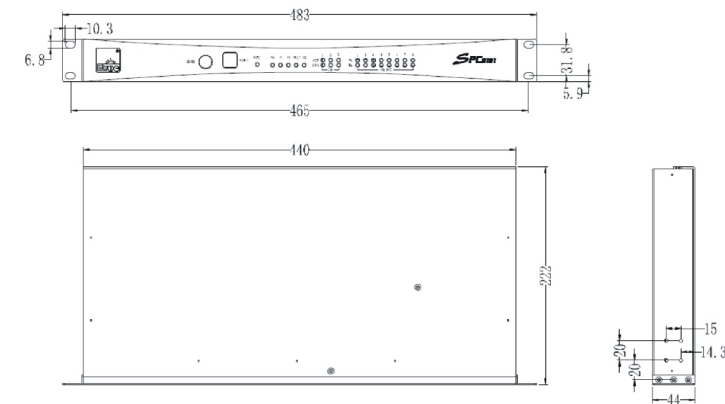
Mechanical and Environmental

Dimensions	440mm(W) x 222mm(D) x 44mm(H)
Reliability	MTBF ≥ 50000h; MTTR ≤ 0.5h
Safety	GB4943 compliant
Operating Temperature	0°C~50°C. Customizable to -15°C~60°C
Storage Temperature	-40°C~60°C
Operating Humidity	5%~95%, 40°C non-condensing

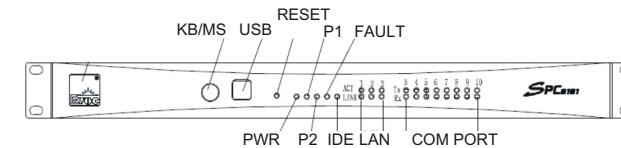
Operating System

Windows OS	Windows 98SE/ Windows 2000/ Windows XP
Embedded OS	Linux/XP Embedded

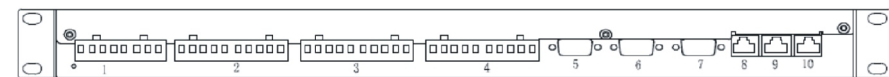
Dimensions



Front Panel External I/O Mechanical Layout/Drawing



Rear Panel External I/O Mechanical Layout/Drawing



- | | | |
|---------------|----------------|---------------|
| 1. PWR1 | 2. COM9, COM10 | 3. COM7, COM8 |
| 4. COM5, COM6 | 5. COM4 | 6. COM3 |
| 7. VGA | 8. LAN3 | 9. LAN2 |
| 10. LAN1 | | |

Available Accessories

Part Number	Name	Description	Qty.
2360-003671	AC power cable/RoHS	Length: 1500mm/USA standard/821	1
2360-005031	Y-cable for keyboard and mouse/RoHS	One Mini-DIN port to two PS/2 ports, length: 250mm/RoHS	1
2372-001141	Rubber pad/RoHS	20x20/3M adhesive-backed	4
2330-000041	Jumper	2.54mm pitch, blue Wison	2
—	CD/burning	SPC-0101/Long March No. 1	1
—	User's Manual/RoHS	SPC-0101/Long March No. 1	1
2391-001441	Screw/RoHS	Countersunk head M4x6/head Φ6.8/hardened	12
2391-000491	Screw/RoHS	Countersunk head M3x6/thickness 1.5mm/GB-T819-1985	6
2330-000511	Connector/DINKLE/RoHS	5.08mm pitch 2EHDRM-07P male	1
2330-000521	Connector/DINKEL/RoHS	5.08mm pitch 2EHDRM-10P male connector, elbow	3
1475-003991	Hanging bracket/ 0101/RoHS	Blank/50x40x1.5/coating	2
—	Setup Guide/RoHS	AMI/BIOS Setup Guide (for Core/8)	1

Ordering Information

Part Number	Model Number	Description
0010-000151	SPC-0101-01/1G/CF card	Complete PC/RoHS: ULV Celeron® M 600M/256M/1G CF card/ECS-1712CLD3N/dual DC12~30V wide-voltage redundant power supply/SPC-0101
0010-000141	SPC-0101-01/80G	Complete PC/RoHS: ULV Celeron® M 600M/256M/80G/ECS-1712CLD3N/dual DC12~30V wide-voltage redundant power supply/SPC-0101
0010-000181	SPC-0101-02/1G/CF card	Complete PC/RoHS: Celeron® M 1.0G/512M/1G CF card/ECS-1712CLD3N-1G/dual DC12~30V wide-voltage redundant power supply/SPC-0101
0010-000191	SPC-0101-02/80G	Complete PC/RoHS: Celeron® M 1.0G/512M/80G/ECS-1712CLD3N-1G/dual DC12~30V wide-voltage redundant power supply/SPC-0101
0020-000091	SPC-0101/80G/no motherboard	Chassis/RoHS: 80G/SPC-0101