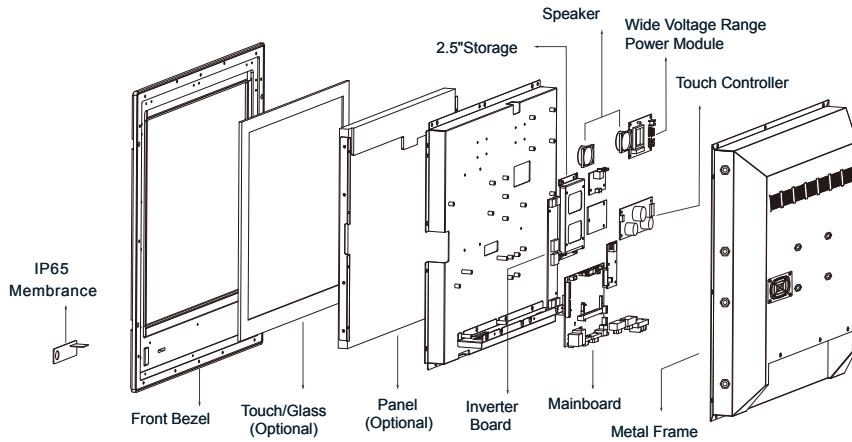
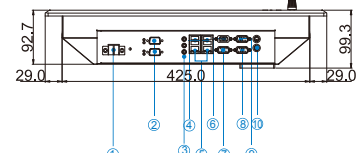


19" Marine Panel PC

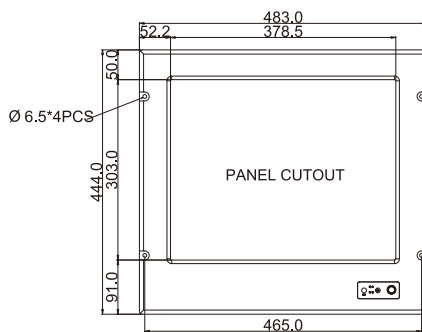
Model#: R19IA7T-MRA1



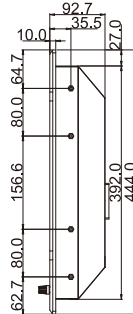
Modularized Construction



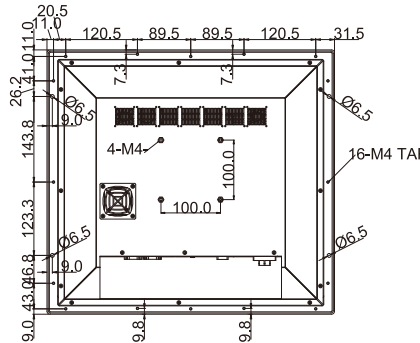
- 1. 9 to 36 V DC Terminal Block
- 2. COM(option)
- 3. Audio
- 4. USB
- 5. LAN
- 6. VGA
- 7. COM1
- 8. COM4
- 9. COM3
- 10.PS/2



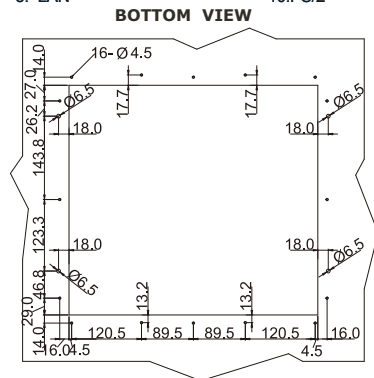
FRONT VIEW



SIDE VIEW



BACK VIEW



BOTTOM VIEW

All Dimensions are $\pm 0.5\text{mm}$

* Note: this is a simplified drawing and so mechanical components are not marked in detail. Please contact our sales representative if you need further product information.

TFT Characteristics :

Pixel Number	: 1280 x 1024
Pixel Pitch(R&B)	: 0.294 (H) x 0.294 (V) mm
Contrast Ratio	: 1000:1(typ.)
Light Intensity	: 400 cd/m ² (typ.)
Viewable Angle	: -85~85 (H); -80~80 (V)
Active Display Area	: 376.32 (H) x 301.06 (V) mm
Max Colors	: 16.7M (8bit/colors)

Mechanical and Environmental

Mechanical Mounting	: Panel (Flush) mount with IP65*, VESA, Bracket mounting
Operating Temperature	: -10 to 55 deg.C(-20 to 60 deg.C for optional heating)
Operating Humidity	: 5% to 95%(non condensing)
Anti-Vibration	: 5Hz~500Hz / 1Grms / 3 Axis
Anti-Shock	: 15G, 11ms duration
*SAW touch for IP54	

SBC Specifications :

Processor	: Intel® ATOM N270 1.6 GHz
BIOS	: AMI 4Mbit
System Chipset	: Intel® 945GSE/ICH7M
Memory Slot	: 1 x 240-pin DDR2 DIMM, max.2GB
Graphic Chipset	: Intel® 945GSE integrated (224MB shared)
IDE	: 1 x IDE (UDMA33/66/100)
Compact Flash	: 1 x Type I/II CF Socket(Optional)
KB / Mouse Connector	: 2 x PS/2
Ethernet	: Dual Realtek RTL8111B Gigabit Ethernet
VGA	: 1 x VGA Connector
Audio	: Built-in audio + AC97 codec
USB Ports	: 8 x USB (4 x USB on backside I/O)
Serial Ports	: 3 x RS-232(one is optional), 1 x RS-232/422/485
Hard Drive	: 2.5 inch 80GB
Expansion slot	: 1 x PCI, 1 x Mini PCI

Input / Output Connectors

Ethernet LAN	: 2 x RJ 45-10/100/1000 Mbps
Keyboard / Mouse	: 2 x PS/2
COM	: 2 x RS232, 1 x RS232/422/485 9P DSUB(male)
USB	: 4 x USB Type-A Receptacle
RGB Out	: 1 x VGA (female)
Audio	: 1 x Audio Jack (Line-Out, Line-In, Micro In)
DC Power	: 1 x DC Terminal Block
AC Power	: 1 x Std. IEC Inlet(Optional)

Available Options

Touch Screen Options	: SAW, 5 Wire Resistive
AR Safety Glass Options	: 3mm Anti-reflective protection glass
Transflective Options	: Yes(Enhance Visibility)
Bracket Stand options	: Yes(One robust bracket can adjust from -10 to 30 deg.)

Certification and Approvals

- CE, FCC

Power Specifications :

Power Supply Options	: 9 to 36 V DC power supply with Terminal block (Default),
Power Consumption	: 86 W typical, normal operation

