

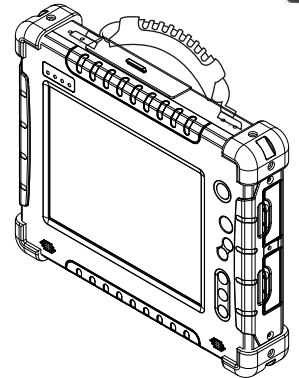
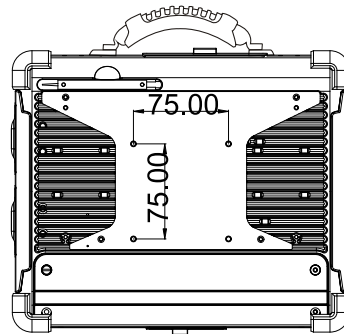
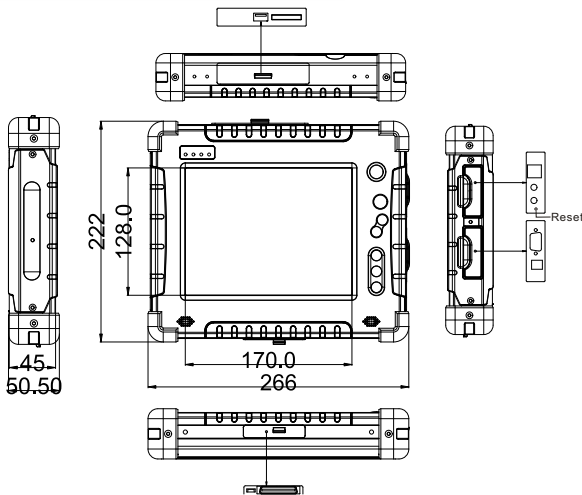
Rugged Tablet IA80

Model : R08IA8M-RTU1

Features:

- 8.4" High Quality SVGA Resolution TFT-LCD Panel
- Intel Atom N270 1.6GHz with Intel 945 GSE + ICH7M Chipset
- 1 x SODIMM, Max. 2GB DDR2 (Default 1GB)
- 4 Wire Resistive Sunlight Readable Touch enhanced Viewability (for Optional)
- Alu-Mg Alloy Housing with Protection Rubber for MIL-810F Shock, Vibration and Drop Std.
- Versatile Mobile Communication Functions including WWAN (GPRS/ GSM/ CDMA/ UMTS/ EDGE) and GPS Module through PCIExpress Card (for Optional)
- Wireless 802.11b/g and Bluetooth module internal
- Ergonomic Design with Handstrip and Carry Belt Accessories (for Optional)
- 6cell, 5200mAh Lithium-Ion Battery Pack

Mechanical Design Drawings



Note: this is a simplified drawing and some components are not marked in detail. Please contact our sales representative if you need further product information.

System Specification

- Processor : Intel®Atom N270 1.6GHz
- BIOS : AMI System BIOS
- System Chipset : Intel®945 GSE+ICH7 Chipset
- System Memory : 1 x SODIMM, Max 2GB DDR2(Default 1GB)
- LAN Controller : Realtek RTL8111B GigaLAN Controller
Single Gigabit LAN
- Storage : Support 2.5" SATA HDD, Industrial CF Card,
2.5" Automobile HDD, 2.5" Solid State Disk(SSD)
- Audio : Audio out for headset, Micro in for microphone jack,
1.5W Speaker(Internal)
- Expansion Slot : PCI Express Card

Wireless Communication

- WLAN : 802.11b/g (internal Mini-card module)
- Bluetooth : Bluetooth (internal usb module)
- WWAN : GSM/GPRS (PCIExpress Card)
CDMA(PCIExpress Card)
UMTS(PCIExpress Card)
EDGE(PCIExpress Card)
- GPS : GPS Solution (PCIExpress Card)

Mechanical and Environment

- Dimensions (W x L x H) : 259 x 215 x 45 mm
- Weight : 2Kg(w/o accessories)
- Operation Temperature : -10 deg.C to 55 deg.C (With HDD solution)
* -20 deg.C to 55 deg.C (With SSD solution)
- Operation Humidity : 10% to 90% (non condensing)
- IP Proof : IP54
- Mounting : VESA mount, Vehicle mount
- Shock* : MIL-STD-810F M516.5
- Vibration* : MIL-STD-810F M514.5
- Drop* : MIL-STD-810F M516.5, 4 ft, Free to concrete
- Certifications : CE, FCC ClassB,UL

Display Specification

- Pixel Number : 800x600
- Brightness : 350cd/m² (typ.)
- Touch (Default) : 4 Wire Resistive

I/O Connectors

- Left I/O Port : N/A
- Right I/O Port : 2 x USB 2.0
1 x Audio out, Micro-in Jack
1 x Power Input Jack
1 x COM,
1 x Reset Button
- Upper I/O Port : 1x PCI Express Slot for Expansion,
1x USB Slot for Expansion
- Downside Docking : Docking Connector to expansion for 1 x LAN,
1 x VGA, 4 x USB and Docking Stand Power input

In front Control

- Control Button : 1x Menu Key control Brightness,
Volume and Battery Status
- LED indicator : Power On/ Off, Battery, HDD Access, Wifi On / Off

Power Management

- Power input : 19V DC
- Power consumption : 12.5W typ.
- Battery : Li-Ion battery 5200mAh, 11.1V
- Battery Operating Time : 4 Hours
- Charging time : 2.5 Hours
- Adapter : 100-240V, 50-60Hz, 19VDC

* When use SSD or Industrial Compact Flash

Rev.	Reasons	Revised Date
1.4	Spec change	Aug-13-09
1.5	Spec change	Aug-16-10
1.6	Spec change	Feb-15-11