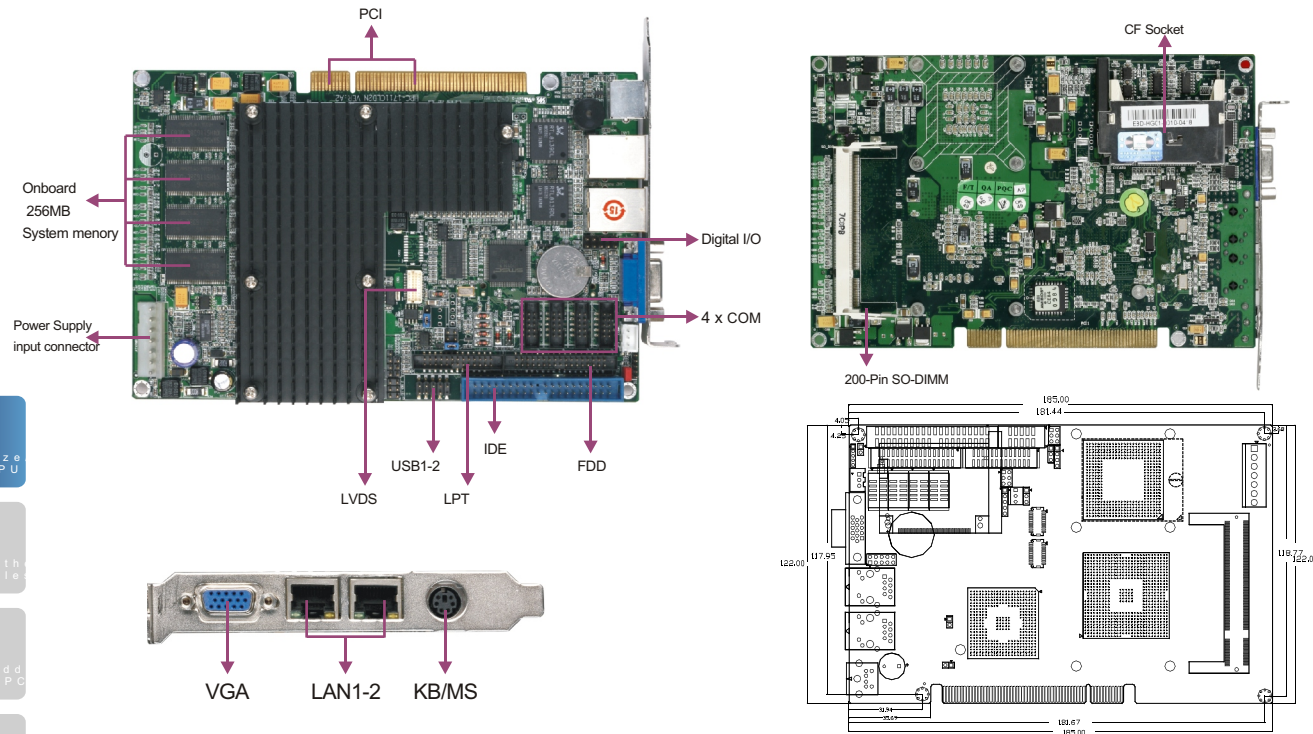
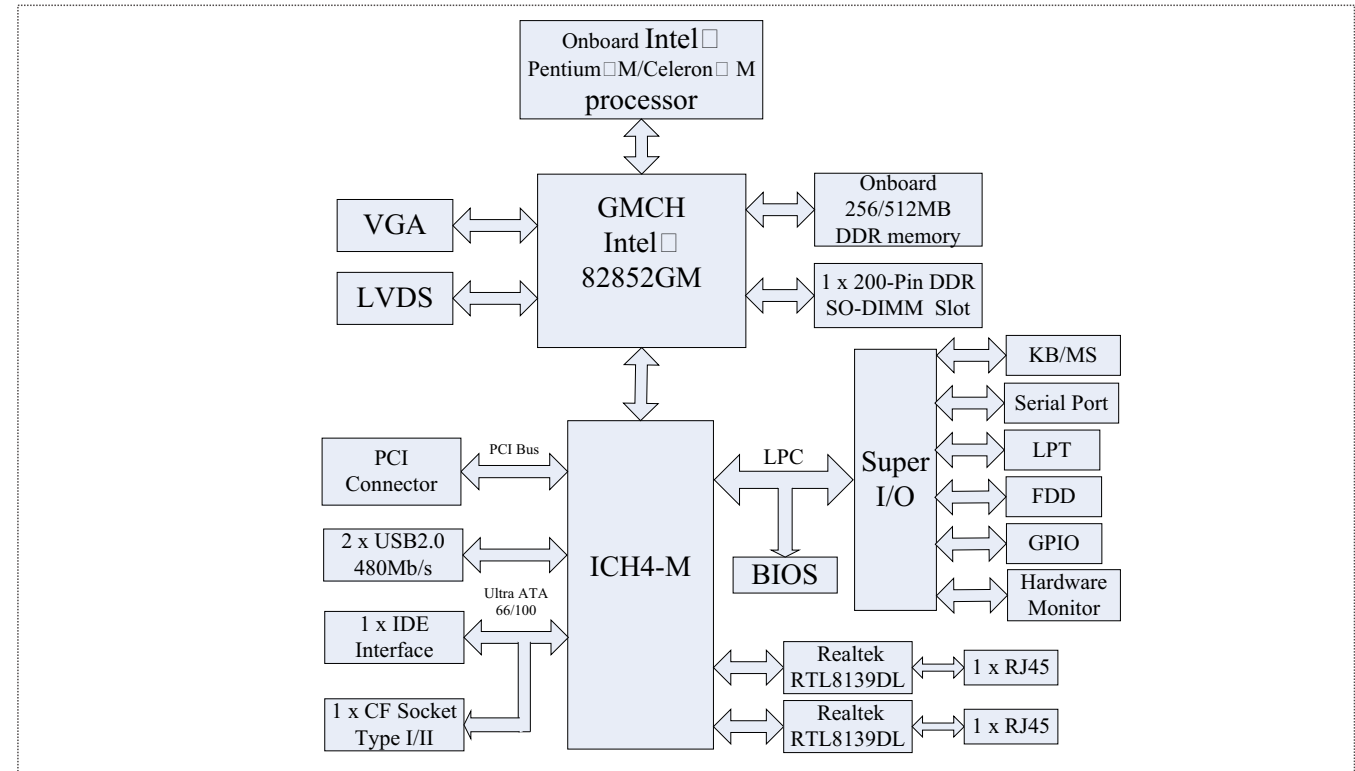


HPC-1711CLD2N

Half-Size PCI-Bus CPU Card with Celeron® M Processor/Memory/LVDS/VGA/CF/2LAN



Board Diagram



1 Full-Size Slot CPU

2 SBC/Motherboard Module

3 Embedded Box PC

4 Network Appliance Computers

5 Industrial PC

6 HMI

7 EVOC Rugged Series

8 MCC Series

9 Chassis

10 Data Acquisition Boards & Modules

11 Accessories

1 Full-Size Slot CPU

2 SBC/Motherboard Module

3 Embedded Box PC

4 Network Appliance Computers

5 Industrial PC

6 HMI

7 EVOC Rugged Series

8 MCC Series

9 Chassis

10 Data Acquisition Boards & Modules

11 Accessories

Features

- Half-Size PCI Bus CPU Card
- Onboard ULV Celeron® M 800MHz processor, optional Celeron® M 1.0GHz/1.5GHz and Pentium® M 1.4G
- Onboard 256MB and 1 x 200-pin SO-DIMM Slot, up to 1GB of DDR 200/266 system memory
- Onboard 2 x 10/100Mbps Ethernet controller
- Supports VGA+LVDS dual independent display
- Supports 1 x FDD, 2 x USB2.0, 1 x LPT, 4 x COM, 1 x IDE, 8 x GPIO

Display

Chipset	Intel® 852GM integrated graphics controller
Memory	64MB shared system memory
Resolution	VGA mode up to 2048 x 1536@75Hz or 1600 x 1200@85Hz LVDS mode up to 1600 x 1200@18bit
Dual Display	Supports VGA and LVDS dual-channel independent display

Ethernet

Chipset	2 x Realtek RTL8139DL
Speed	10/100Mbps
Connector	2 x RJ45

Mechanical and Environmental

Dimensions	185mm x 122mm
Operating Temperature	0°C~60°C (optional -25°C~65°C)
Storage Temperature	N/A
Operating Humidity	5%-90%, non-condensing

Power

Power Supply	Supports ATX/AT power supply
Power Consumption	Typical 8.84W(AT, Celeron M 800MHz, 256MB Memory) Typical 9.5W(ATX, Celeron M 800MHz, 256MB Memory)

Operating System

Windows OS	Windows 98SE/ Windows 2000/ Windows XP
Embedded OS	Linux/XP Embedded

Specifications

System

Processor	Onboard ULV Intel® Celeron®M processor (optional Celeron®M processor:600MHz/800MHz/1.0GHz/1.5GHz Pentium® M processor 1.4GHz)
Chipset	Intel® 852GM + ICH4-M
Memory	Onboard 256MB DDR system memory, and supports 1 x 200-pin SO-DIMM, up to 1GB DDR 200/266 memory
Hardware Monitor	Monitors system status, voltage, temperature and fan speed
Watchdog Timer	1~255 sec./min. timer system reset or interrupt, setup by software
Expansion Interface	PCI Bus

Storage

IDE	1 x Ultra ATA33/66/100 interface
Serial ATA	N/A
Floppy	1 x FDD
CF	1 x CompactFlash Socket Type I/II
DOC/DOM	N/A

I/O Interface

USB	2 x USB2.0 Port, available interface of 1 x 9-pin header onboard
Serial Port	3 x RS-232, 1 x RS-232/422/485, available interfaces of 4 x 10-pin header onboard
Parallel Port	1 x LPT
IrDA	SIR 115 kbps, compliant with IrDA 1.1
GPIO	4 x GPI, 4 x GPO
Audio	N/A
Keyboard/Mouse	1 x PS/2

Available Accessories

Part Number	Name	Description	Qty.
2330-00041	Jumper/RoHS	2.54mm pitch, blue	4
2360-000431	P4 power cable/RoHS	5P to 3P/ATX/Power cable	1
2360-002571	Dual USB port with bracket/B4/RoHS	Two USB ports to one 2x5 Pin, length: 210mm/RoHS	1
2360-005031	Y-cable for keyboard and mouse/RoHS	One mini-DIN port to two PS/2 ports, length: 250mm/RoHS	1
2360-008331	HDD flat cable/RoHS	DMA66/HDD/CABLE/40P/80-line/length: 450mm	1
2360-009451	FDD flat cable/RoHS	(34p-34p-34p) connector (2.0mm pitch), length: 455mm/RoHS	1
2360-011221	Parallel port cable/RoHS	DB25 connector (2.0mm pitch), length: 300mm/RoHS	1
2360-011231	Serial port cable/RoHS	DB9 connector (2.0mm pitch), length: 300mm/RoHS	4
2360-014771	Power cable/RoHS	One TJC6-7Pin (3.96mm pitch) port to two male 4 Pin connector (5.08mm pitch), length: 200mm/RoHS	1
N/A	Driver CD/Protective film/RoHS	HPC-1711CLD2N	1
N/A	Setup Guide/RoHS	AMI/BIOS Setup Guide (for CORE8)	1
N/A	User's Manual/RoHS	HPC-1711CLD2N	1

Related Product

Item	Typical Recommendation
6-slot Chassis+Backplane	IPC-6806S + PCI-6106P4
4U Chassis+Backplane	IPC-810B + PCI-6114P12
PCI Expansion card	PCI-64AD, PCI-I64DIO, PCI-16P16R, C104, C168
Power Supply	AT or ATX, available 160W/270W/360W

Ordering Information

Part Number	Model Number	Description
0030-005721	HPC-1711CLD2N/800M	Motherboard/RoHS
0030-005720	HPC-1711CLD2N/800M	Motherboard
0030-000020	HPC-1711CLD2N/600M	Motherboard
0030-000040	HPC-1711CLD2N/C-M1.5G/No memory	Motherboard
0030-000050	HPC-1711CLD2N/CM-1G	Motherboard
0030-000030	HPC-1711CLD2N/PM1.4G	Motherboard