

# **Connection**

and Interconnection Technology  
Solution

—

**2023**

# About YONGGUI /

Yonggui Electrical was founded in 1973, is a company specializing in all types of electricity Connectors, connector components and precision intelligent products research and development, manufacturing, sales and technology Technical support of the national high-tech enterprises in September 2012 on the Shenzhen Stock Exchange Go public. Headquartered in Tiantai, Zhejiang, there are 8 wholly-owned subsidiaries, 1 branch, There are 10 holding subsidiaries, 3 participating subsidiaries, 8 Sun companies, and the products are distributed in the rail Road transportation and industry, vehicle and energy information, special equipment three major areas.

Yonggui Electrical adhere to independent innovation, open innovation and collaborative innovation, continuous improvement Technological innovation system to form a strong technological innovation capability. The company has well-equipped, Advanced technology, professional, large-scale manufacturing base, formed the connector, door system, shock absorber, battery system, rail transit through road (windshield), rail interchange. Through the axis system, rail pantograph and other seven product platforms, the manufacturing level is in Leading position in the industry.

The company's products have obtained more than 600 national patent authorization, has passed ISO9001, ISO/TS 22163, CRCC, UL,CE, IATF16949, EN15085, ISO3834, CWF and other mass bodies Department and product quality certification.

Facing the future, Yonggui Electrical will continue to uphold the "science and technology to connect the future" enterprise Mission, vigorously implement the international, diversified and collaborative development strategy, and build a "country.An excellent enterprise with first-class and international reputation, we strive to build Yonggui Electrical Appliance into a leading company Connector as the core, multi-field, multi-industry common development of high-end equipment system solution provider.





# Contents /



Connection  
and Interconnection Technology Solution



<b>Shell</b> / Series A	013-039	»
<b>Shell</b> / Series B	040-096	»
<b>Shell</b> / Series P	097-100	»
<b>Inserts</b> / Series D	101-109	»
<b>Inserts</b> / Series E	110-128	»
<b>Inserts</b> / Series M	129-195	»
<b>Inserts</b> / Series N	196-207	»
<b>Inserts</b> / Series Q	208-228	»
<b>Inserts</b> / Series K (Hybrid)	229-250	»
<b>Inserts</b> / Series C	251-269	»
<b>Inserts</b> / Anti-Open Circurt	270-273	»
<b>Accessory</b> / Contact Remove	274-273	
/ Contact Crimp	276	»
/ Others	277-289	

Shell / Series A

Shell / Series B

Shell / Series P

Inserts / Series D

Inserts / Series E

Inserts / Series M

Inserts / Series N

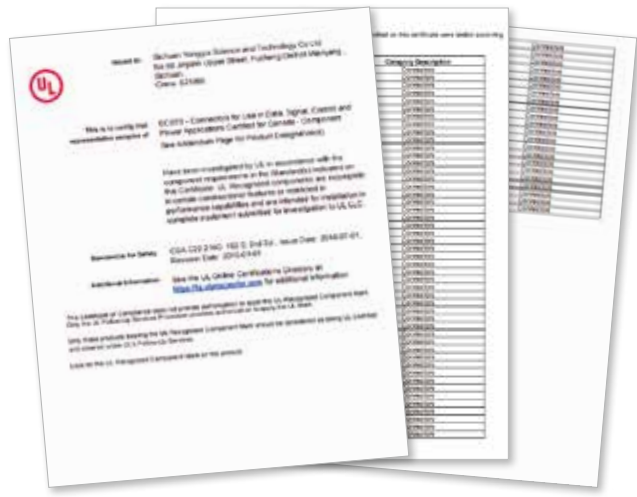
Inserts / Series Q

Inserts / Series K (Hybrid)

Inserts / Series C

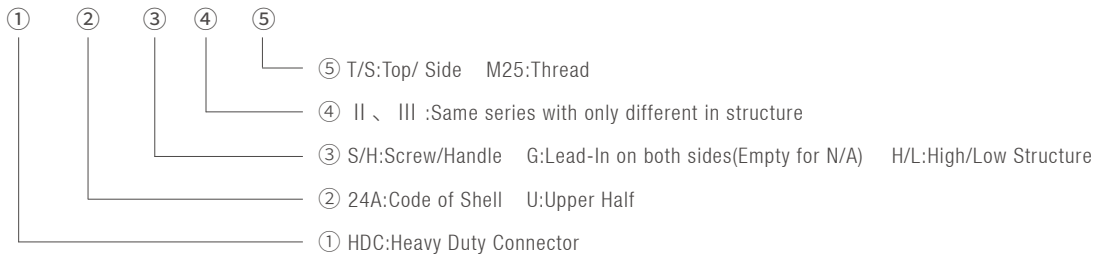
Inserts / Anti-Open Circurt

Accessory

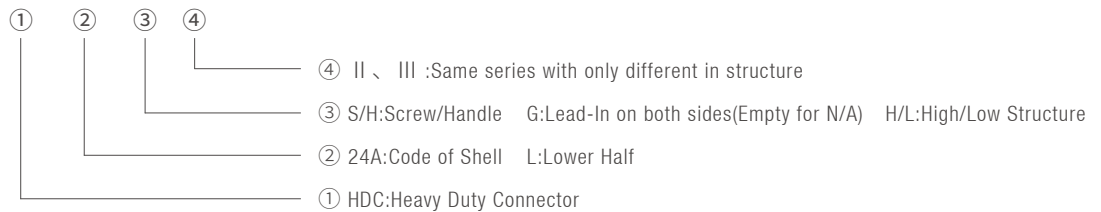


Nominal of Shell Series A

E.g. of Upper Half: **HDC-24AU-SGH- II -TM25**

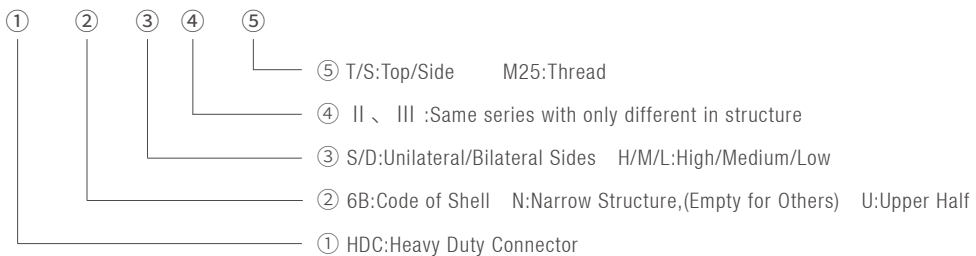


E.g. of Lower Half: **HDC-24AL-SGL- II**

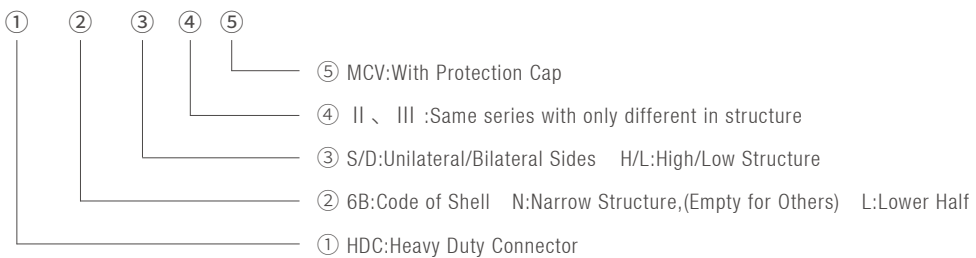


Nominal of Shell Series B

E.g. of Upper Half: **HDC-6BNU-SH- II -TM25**

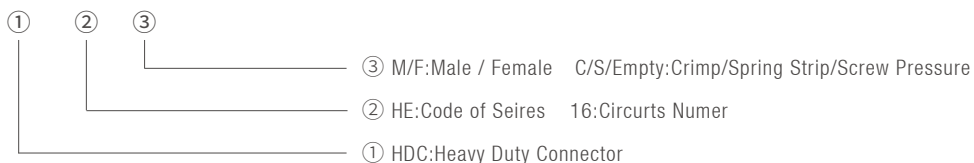


E.g. of Lower Half: **HDC-6BNL-SL- II -MCV**



Nominal of Inserts

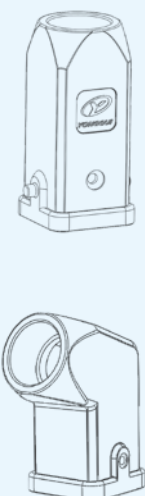
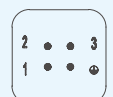
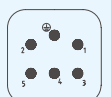

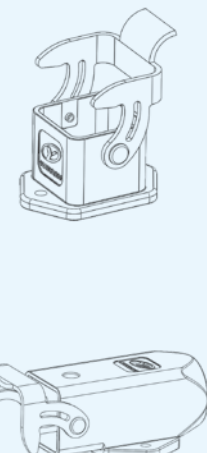
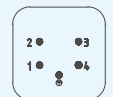
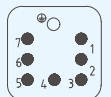


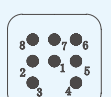
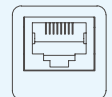
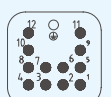
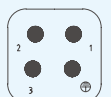
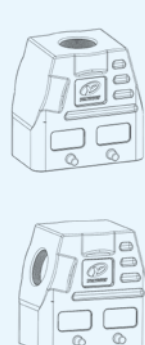


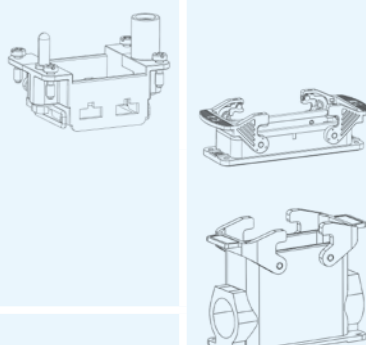
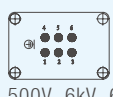
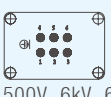
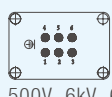






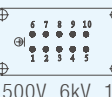
E.g. : **HDC-HE16-MC**




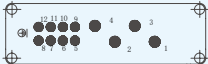

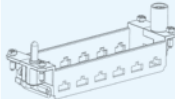
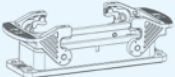






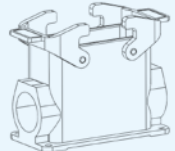



COMPONENTS	DESCRIPTION	ORDER INSTRUCTION
	Cable Joint	PPS or Brass with Nickle Plating Common Type Flexible Pipe EMC Cable Others
	Upper Half Shell	Standard or High Structure Top Outlet or Side Outlet
	Crimpe Contact	Only for Cold Crimp Inserts Silver Plating of Gold Plating Rated Current: 5A ~ 650A
	Male 、 Female Inserts	Screw Connection Cold Crimp (No Pin) Spring Strip Connetion
	Hinge Frame	Type: 6B/10B/16B/24B
	Lower Half Shell	Mountin Hole Standard of High Structure Plastic Cap/Metal Cap/No Cap High Level of Protection and EMC version availanble

\*Contact us for Customization



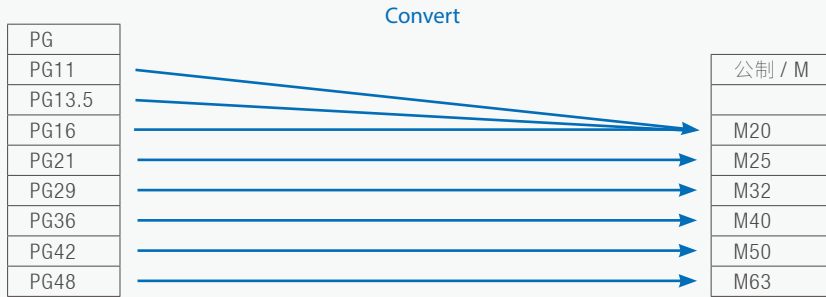
Type	Upper Half Shell	Inserts Series HQ			Lower Half Shell	
		Screw	Cold Pressing	Others		
3		 10A 230/400V 4kV 3+PE	 16A 230/400V 4kV 5+PE	 10A 50V 0.8kV 4core		
		 10A 230/400V 4kV 4+PE	 10A 230/400V 4kV 7+PE	 5A 50V 0.8kV 8core		
		 40A 400V 6kV 2+PE	 10A 250V 4kV 8core	 1A 50V 0.8kV 8core		
			 10A 400V 6kV 12+PE			
			 40A 400V 6kV 3+PE			
Type	Upper Half Shell	Inserts Seires HD/ HE / HK			HM Series	Lower Half Shell
		Screw	Cold Pressing	Spring Strip		
6		 40A 500V 6kV 6+PE	 10A 250V 4kV 24core			
		 16A 500V 6kV 6core	 16A 500V 6kV 6core	 16A 500V 6kV 6core		
			 16A 500V 6kV 10core			
10			 10A 250V 4kV 42core			
		 16A 500V 6kV 10core	 16A 500V 6kV 10core	 16A 500V 6kV 10core		

Type	Upper Half Shell	Inserts Seires HD/ HE / HK			HM Series	Lower Half Shell	
		Screw	Cold Pressing	Spring Strip			
10			 16A 500V 6kV 18core				
			 4/4+PE				
			 10A/16A 160V/230V 2.5kV/4kV 8/24core				
16		 35A 400/690V 6kV 6+PE	 10A 250V 4kV 40core				
		 80A 830V 8kV 4core	 10A 250V 4kV 72core				
		 16A 500V 6kV 16core	 16A 500V 6kV 16core	 16A 500V 6kV 16core			
		 80A/16A 830V/400V 8kV/6kV 4/2+PE	 16A 500V 6kV 32core				
			 16A 500V 6kV 40				
			 40A/10A 690V/250V 8kV/4kV 12/2+PE				
			 40A/10A 690V/160V 8kV/2.5kV 6/36+PE				

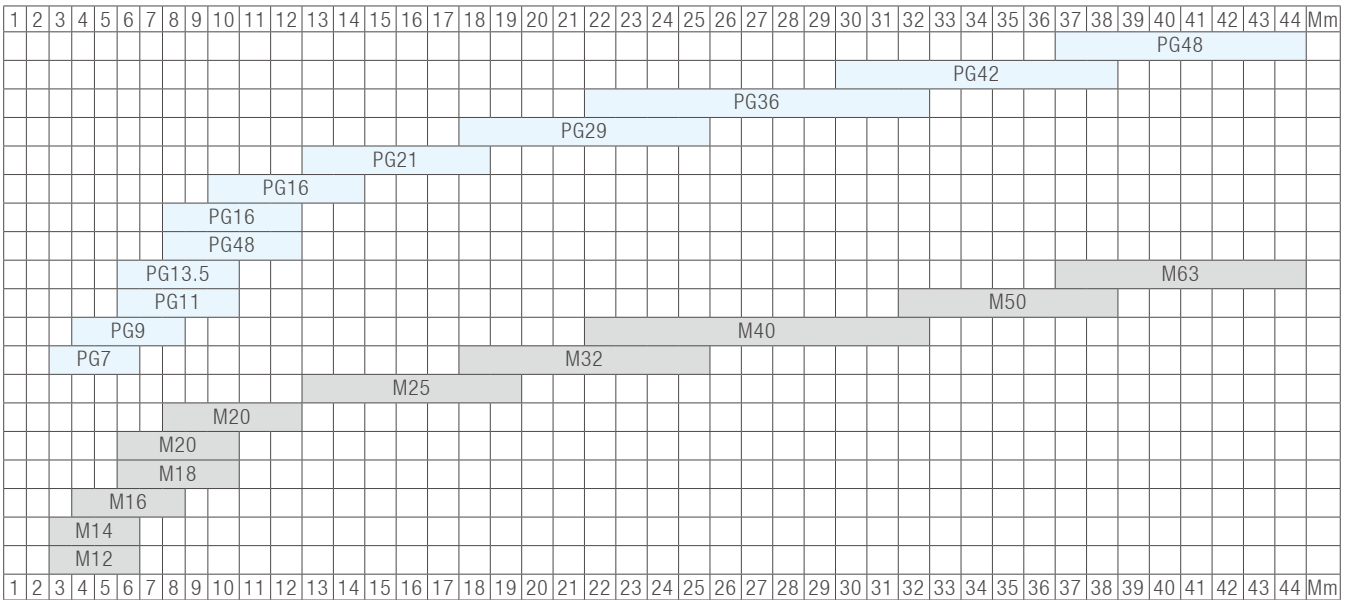
Type	Upper Half Shell	Inserts Seires HD/ HE / HK			HM Series	Lower Half Shell
		Screw	Cold Pressing	Spring Strip		
24		 80A 400V 6kV 4/8+PE	 10A 250V 4kV 64core			
		 100A/16A 690V/400V 8kv/6kV 6/6+PE	 10A 250V 4kV 108core			
	 16A 500V 6kV 24core	 16A 500V 6kV 24core	 16A 500V 6kV 24core			
	 100A 690V 8kV 8/0+PE	 16A 500V 6kV 46core				
		 16A 500V 6kV 64core				

Because the thread size is included in the product description, the metric thread is used to easily understand the cable joint specifications. Note that with metric cable joints, the maximum cable diameter that can be clamped may be smaller.

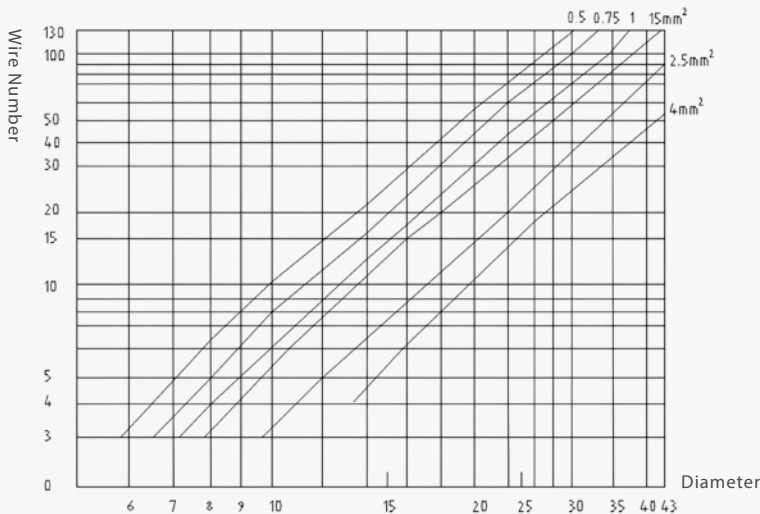
## Comparison Between PG Thread and Metric Thread:



## Range of Bayonet of Cable Joint:



## Matrix of Relation of Cable Diameter, Wire type and Wire Number:



The housing, seals and latches on the connectors protect the electrical components of the connectors from external environmental influences such as impact, foreign matter, dust, water or detergent, coolant, oil and other liquids.

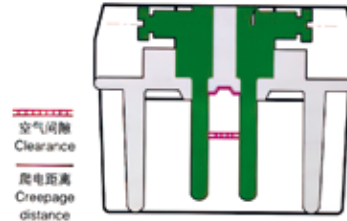
Protection Level								
Letter Code	1st Digit Anti-Solid Foreign Particle				2nd Digit Waterproof			
	Digit		Range		Digit	Range		
IP	0	No Protection		No Touch Protection	0	No Protection		No Protection
	1	Anti-Big Matter		Anti-Large area touch, No body with diameter >50mm	1	Anti- Water Drop		Anti-Vertical Water Drop
	2	Anti-Medium Size Matter		Anti-Finger Touch, No body with diameter >12mm	2	Anti- Inclined Water Drop		Anti-Inclined Water Drop
	3	Anti-Small Size Matter		Anti-Touch of Tooling with diameter >2.5mm No body with diameter >2.5mm	3	Anti Purling		Anti Purling Water from Vertical to 60 degree
	4	Anti-Particle		No body with diameter >1.0mm	4	Anti Spray		Anti-Spray from any Direction
	5	Anti-Dust Deposition		Anti-Touch, Anti-Dust Deposition Inside	5	Anti Jetting		Anti-Jetting from any Direction
	6	Dustproof		Keep All Dust Out	6	Anti Flooding		Anti Short Term Flooding
				7	Anti Immersion		Anti Short Term Immersion	
				8	Anti Water Pressure		Anti-Long Term Immersion with Water Pressure	

## Air Clearance

Minimum distance between two conductive parts in the air (see DIN EN 60664-1, para. 3.2). The air clearance is determined by the surge voltage level.

## Creepage Distance

The minimum distance between two conductive parts along the surface of the insulating material (see DIN EN 60644-1, paragraph 3.3). The creepage distance is determined by the rated voltage, the degree of contamination and the properties of the insulation material.



## Rated Voltage

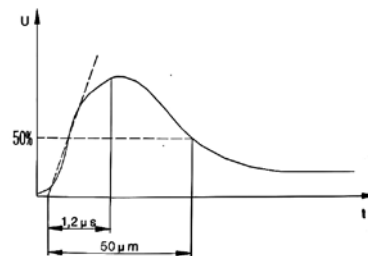
Voltage specifications related to equipment operation and power parameters. A connector is allowed to have more than one rated voltage value or one rated voltage range.

## Rated Current

The specified current (without break) that the connector can continue to flow through at an ambient temperature of 40 °C, and that the current flows through all pins connected to the largest possible conductor at the same time, and does not exceed the upper temperature limit.

## Rated Pulse Voltage

Type of rated pulse voltage and rated voltage of power grid Measure rated pulse voltage. It directly determines the value of the connector's overvoltage tolerance test (1.2/50 μs waveform voltage, in accordance with IEC 60060-1).



## Withstand AC voltage

The overvoltage (50/60 HZ) as the AC voltage. When testing the compressive strength, it is calculated in one minute. The relationship between the measured value and the rated pulse voltage is summarized in Table 8 of DIN EN 61984.

## Inspetion Voltage( DIN EN 61984, Table 8 )

Withstand Pulse Votage (KV) Altitude 2000m	Withstand Pulse Votage(KV) (50/60 Hz)	Withstand Pulse Votage (KV) Altitude 2000m	Withstand Pulse Votage (KV) (50/60 Hz)
0.5	0.37	4	2.21
0.8	0.5	6	3.31
1.5	0.84	8	4.26
2.5	1.39	12	6.6

## CTI value (compared track index)

The value gives information about the electrical conductivity of the insulation material and affects the specification of the creepage distance. The CTI value has an effect on the creepage distance.  
The higher the value, the shorter the creepage distance. The CTI value can be used to divide plastics into different parts. Edge material group.

### CTI Group Insulation Material:

- |                         |                        |
|-------------------------|------------------------|
| I $600 \leq CT$         | II $400 \leq CT < 600$ |
| III $175 \leq CT < 400$ | IV $100 \leq CT < 175$ |

## Pollution degree

The following classification of IEC60664-1 equipment is determined in relation to environmental conditions, the possible contamination will affect its electrical conductivity, and together with humidity affect the surface insulation performance. The level of contamination will affect the structure of the component through the creepage distance. The degree of contamination is defined as an unprotected exposed isolation layer based on environmental conditions.

### Pollution Level I

No pollution or only dry non-conductive contamination, which has no effect. Such as computer room and measuring equipment room.

### Pollution Level II

Only non-conductive contamination occurs, but occasional transient conductive contamination of condensation must be expected. Such as residential buildings, commercial buildings, laboratories, precision machinery workshops.

### Pollution III

There is conductive pollution or the dry non-conductive pollution becomes conductive pollution by the condensation during the intervention period. Such as unheated warehouse, workshop or boiler room and unit electrical equipment or machine tools. Yonggui industrial connectors are designed according to this level of pollution.

### Pollution IV

Cause persistent conductive contamination, such as from conductive dust or rain or snow. Such as roof equipment in open or outdoor spaces, trains or trams.

## Voltage Type

The following categories comply with IEC 60664-1 Overvoltage classification based on the grid voltage and the installation location of the equipment. It describes the ability of the device to withstand the maximum overvoltage when the power supply system fails (e.g., lightning strikes). According to the standard, overvoltage can be divided into four categories.

### 1. Facility with Type I of Voltage protection:

The following categories comply with IEC 60664-1 Overvoltage classification based on the grid voltage and the installation location of the equipment. It describes the ability of the device to withstand the maximum overvoltage when the power supply system fails (e.g., lightning strikes). According to the standard, overvoltage can be divided into four categories.

### 2. Facility with Type II of Voltage protection:

An overvoltage type II device is an energy-consuming device powered by a backup distribution device. Note: This type of equipment includes loads such as appliances, portable tools and other household and similar uses.

### 3. Facility with Type III of Voltage protection:

Overvoltage class III equipment is equipment installed in a distribution device, and the use of the equipment safety (reliable operation) and suitability must meet special requirements.

### 4. Facility with Type IV of Voltage protection:

Overvoltage class IV equipment is equipment installed in a distribution device, and the use of the equipment safety (reliable operation) and suitability must meet special requirements.

According to connector standards, connectors suitable for lower contamination levels can be used on equipment if certain conditions are met. For example, at pollution level 3, the electrical parameters of the connector at pollution level 2 can be used.

DIN 61984.Para.6.19.2.3

For connectors with protection rating IP54 or higher (according to IEC60529), the insulation in the closed housing will be exposed to a lower contamination level. The connector housing ensures airtightness and only disconnects during testing or maintenance, as do the connectors that fit together.

### **The above conditions are met if:**

- Connectors with a protection class of at least IP54 (according to IEC60529/IP54).
- Installed in a housing, such as connectors described in the standard that are disengaged only for inspection and maintenance purposes.
- Install enclosures and connectors with at least IP54 protection through the cover when removed.
- Install connectors in a control cabinet with a protection class not lower than IP54.

Note: If the connector is exposed to an industrial environment for a period of time in the unplugged state, the above conditions do not apply to the connector.

### **Example of connector application for pollution level II**

- The connector on the drive motor is only removed when replacing the damaged motor, that is, the pollution level of the use of the occasion is III .
- Connectors in the control cabinet with IP54 protection level can even be used without the connector's own IP54 protection level housing.
- The connectors on the modular installation equipment are only removed during transport, allowing for quick installation and commissioning, and the use of protective covers or suitable packaging ensures that the connectors are free from contamination during transport.



## A Series Shell


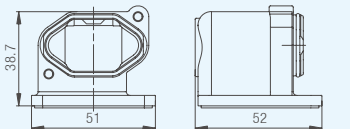

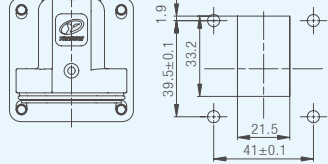

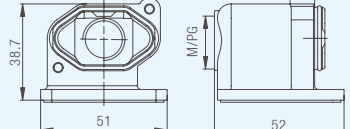


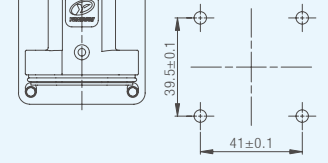


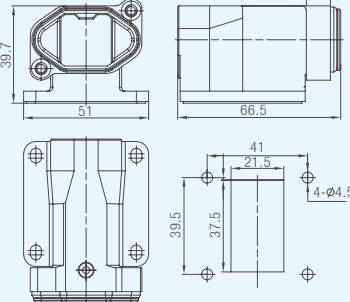


### Technical Specification Of the Shell


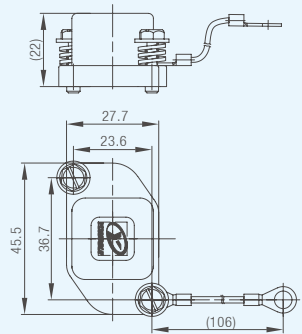
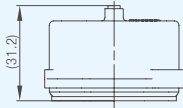
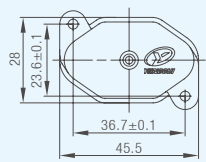
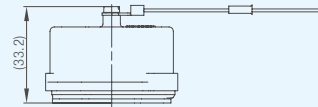
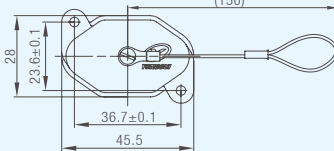

---


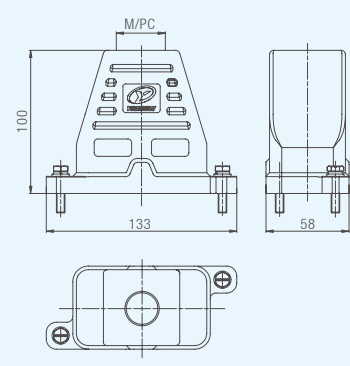

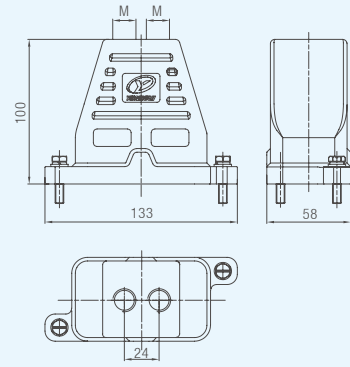

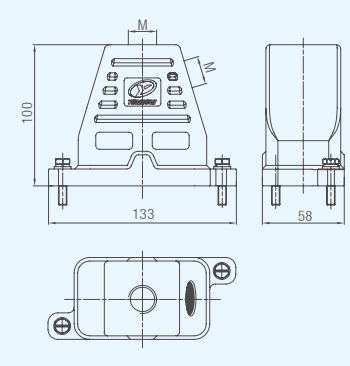
- Materials:Dieca
- Color:Black/Grey
- Locking mode:Bolt locking
- Sealing element: Silicone rubber
- Temperature range: -40 ~ 125°C
- Protection Grade:IP67
- Flame retardant Grade:EN 45545-2 R22&R23 HL3

Description	Type No.	Screw thread		Order No.	Drawing	Dimensions in mm
		M	Pg			
Upper Half Shell	<b>Hoods</b> Black	HDC-3AU-TM20	20	115410016401		
	HDC-3AU-TPg13.5					
	<b>Hoods</b> Grey	HDC-3AU-TM20	20	115410016403		
	HDC-3AU-TPg13.5					
	<b>Hoods</b> Black	HDC-3AU-TM25	25	113040100161		
Lower shell Lower Housing	<b>Housing</b>	HDC-3AL		113040100137		


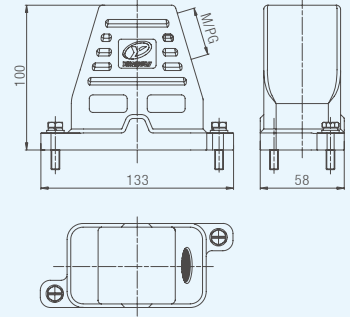

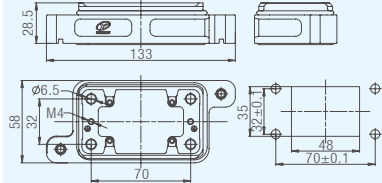

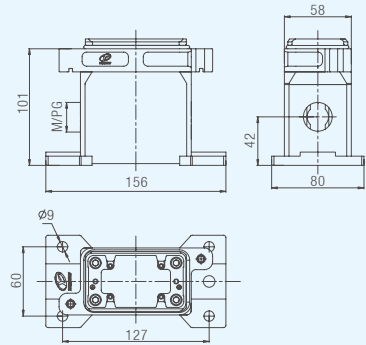

Description	Type No.	Screw thread		Order No.	Drawing	Dimensions in mm
		M	Pg			
Lower shell Lower Housing	<b>Housing</b> Bottom entry Black 	HDC-3AL-RA			115420017601	
	<b>Housing</b> Bottom entry Grey 	HDC-3AL-RA			115420017602	
	<b>Housing</b> Side entry Black 	HDC-3AL-RA-TM20	20		115420017501	
	HDC-3AL-RA-TPg13.5 			13.5	115420017502	
	<b>Housing</b> Side entry Grey 	HDC-3AL-RA-TM20	20		115420017503	
	HDC-3AL-RA-TPg13.5 			13.5	115420017504	
<b>Housing</b> Extended Bottom entry Black 	HDC-3AL-RA			113990001438		


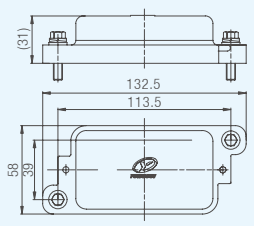

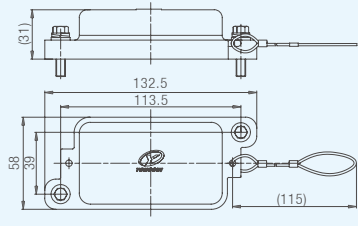

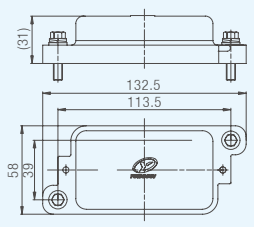

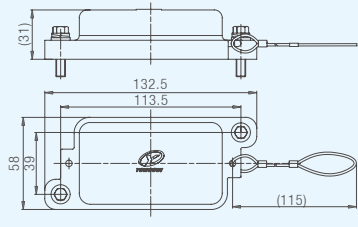
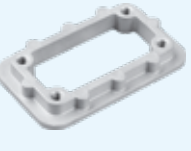
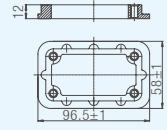
Shell / Series A  
 Shell / Series B  
 Shell / Series P  
 Inserts / Series D  
 Inserts / Series E  
 Inserts / Series M  
 Inserts / Series H  
 Inserts / Series Q  
 Inserts / Series K (Hybrid)  
 Inserts / Series C  
 Inserts / Anti-Open Circuit  
 Accessory

Description	Type No.	Screw thread		Order No.	Drawing	Dimensions in mm
		M	Pg			
<b>Protective cover</b> 	<b>Plastic Protective cover</b> Socket end protection with nylon rope	HDC-3A-PC-FS			113069800429	
	<b>Metal protective cover</b> Black No plug end protection Plug end protection	HDC-3A-MC-M			115430002601	
	<b>Metal protective cover</b> Grey No plug end protection Plug end protection	HDC-3A-MC-M			115430002602	
	<b>Metal protective cover</b> Black with plug end protection Plug end protection	HDC-3A-MC-MS			115430002701	
	<b>Metal protective cover</b> Grey with plug end protection Plug end protection	HDC-3A-MC-MS			115430002702	
						


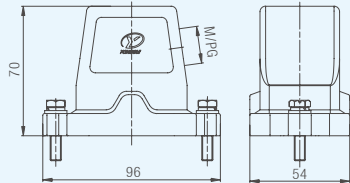

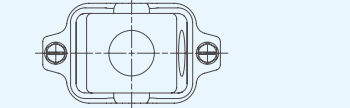

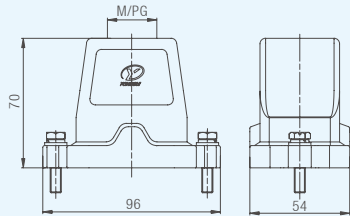

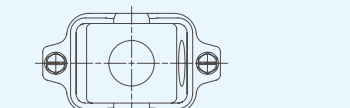
Description	Type No.	Screw thread		Order No.	Drawing	Dimensions in mm
		M	Pg			
<b>Hoods</b> Top entry  	HDC-6AU-SH-TM16	16		115410015601		
	HDC-6AU-SH-TM20	20		115410015602		
	HDC-6AU-SH-TM25	25		115410015603		
	HDC-6AU-SH-TM32	32		115410015604		
	HDC-6AU-SH-TM40	40		115410015605		
	HDC-6AU-SH-TPg16		16			115410015611
	HDC-6AU-SH-TPg21		21			115410015612
	HDC-6AU-SH-TPg29		29			115410015613
<b>Hoods</b> Double Top entry  	HDC-6AU-SH-2TM16	2 × 16		115410015617		
<b>Hoods</b> Top/Side Double Entry  	HDC-6AU-SH-(TM20+SM20)	2 × 20		115410015618		

Shell / Series A  
 Shell / Series B  
 Shell / Series P  
 Inerts / Series D  
 Inerts / Series E  
 Inerts / Series M  
 Inerts / Series H  
 Inerts / Series Q  
 Inerts / Series K (Hybrid)  
 Inerts / Series C  
 Inerts / Anti-Open Circuit  
 Accessory

Description	Type No.	Screw thread		Order No.	Drawing	Dimensions in mm
		M	Pg			
<b>Hoods</b> Side entry  Upper Half Shell  	HDC-6AU-SH-SM20	20		115410015606		
	HDC-6AU-SH-SM22	22		115410015607		
	HDC-6AU-SH-SM25	25		115410015608		
	HDC-6AU-SH-SM32	32		115410015609		
	HDC-6AU-SH-SM40	40		115410015610		
	HDC-6AU-SH-SPg16		16	115410015614		
	HDC-6AU-SH-SPg21		21	115410015615		
	HDC-6AU-SH-SPg29		29	115410015616		
<b>Housing</b>  	HDC-6AL-SL			113010600556		
<b>Socket Component</b> High structure Side entry  Lower shell Lower Housing  	HDC-6AL-SH-SM20	20		115420018701		
	HDC-6AL-SH-SM25	25		115420018702		
	HDC-6AL-SH-SM32	32		115420018703		
	HDC-6AL-SH-SPg16		16	115420018704		
	HDC-6AL-SH-SPg21		21	115420018705		
	HDC-6AL-SH-SPg29		29	115420018706		
	<b>Socket Component</b> High structure Bottom entry  	HDC-6AL-SH-TM20	20			115420018707
HDC-6AL-SH-TM25	25		115420018708			
HDC-6AL-SH-TM32	32		115420018709			

Description	Type No.	Screw thread		Order No.	Drawing	Dimensions in mm
		M	Pg			
Protective cover	<b>Metal protective cover</b> Socket end rotation 	HDC-6A-MC-F			113011600821	
	<b>Metal protective cover</b> Socket end protection with nylon rope 	HDC-6A-MC-FS			113011600808	
	<b>Plastic Protective cover</b> Socket end rotation 	HDC-6A-PC-F			113069800442	
	<b>Plastic Protective cover</b> Socket end protection with nylon rope 	HDC-6A-PC-FS			113011600823	
Mounting seat		HDC-6A			114012300026	


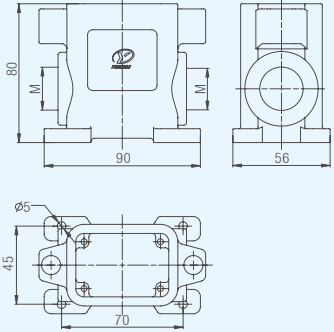
Shell / Series A  
Shell / Series B  
Shell / Series P  
Inserts / Series D  
Inserts / Series E  
Inserts / Series M  
Inserts / Series H  
Inserts / Series Q  
Inserts / Series K (Hybrid)  
Inserts / Series C  
Inserts / Anti-Open Circuit  
Accessory


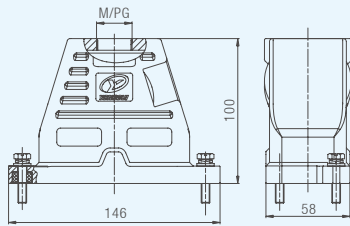

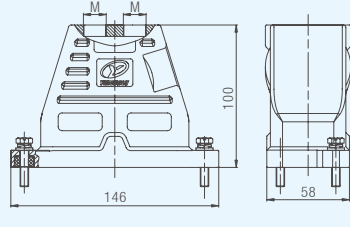

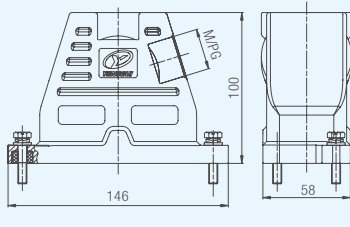

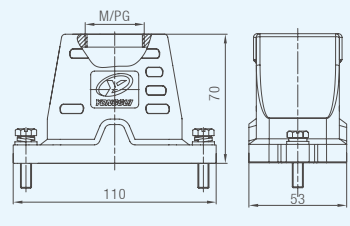
Description	Type No.	Screw thread		Order No.	Drawing	Dimensions in mm		
		M	Pg					
<b>Hoods</b> Side entry Black  	HDC-6AU-SH-II-SM20	20		115410018701				
	HDC-6AU-SH-II-SM25	25		115410018702				
	HDC-6AU-SH-II-SM32	32		115410018703				
	HDC-6AU-SH-II-SPg16		16	115410018704				
	HDC-6AU-SH-II-SPg21		21	115410018705				
<b>Hoods</b> Side entry Grey  	HDC-6AU-SH-II-SM20	20		115410018712				
	HDC-6AU-SH-II-SM25	25		115410018713				
	HDC-6AU-SH-II-SM32	32		115410018714				
	HDC-6AU-SH-II-SPg16		16	115410018715				
	HDC-6AU-SH-II-SPg21		21	115410018716				
<b>Upper Half Shell</b>  <b>Hoods</b> Top entry Black  	HDC-6AU-SH-II-TM20	20		115410018706				
	HDC-6AU-SH-II-TM25	25		115410018707				
	HDC-6AU-SH-II-TM32	32		115410018708				
	HDC-6AU-SH-II-TPg16		16	115410018709				
	HDC-6AU-SH-II-TPg21		21	115410018710				
	<b>Hoods</b> Top entry Grey  	HDC-6AU-SH-II-TM20	20			115410018717		
		HDC-6AU-SH-II-TM25	25			115410018718		
		HDC-6AU-SH-II-TM32	32			115410018719		
		HDC-6AU-SH-II-TPg16		16		115410018720		
		HDC-6AU-SH-II-TPg21		21		115410018721		



Description	Type No.	Screw thread		Order No.	Drawing	Dimensions in mm	
		M	Pg				
Upper Half Shell	<b>Hoods</b> Top/Side Double Entry Black	HDC-6AU-SH-II-TM32+SM20	20+32	115410018711		70, 96, 54	
	<b>Hoods</b> Top/Side Double Entry Grey	HDC-6AU-SH-II-TM32+SM20	20+32	115410018722		96, 54	
	<b>Hoods</b> 商标侧双 /Side entry Black	HDC-6AU-SH-II-2SM16	2×16	113010100797		70, 96, 54	
Lower shell Lower Housing	<b>Housing</b> Side entry Black	HDC-6AL-SH-SM20	20	115460020101		80, 90, 56, 70, 45, 65	
		HDC-6AL-SH-SM25	25	115460020102			
		HDC-6AL-SH-SM32	32	115460020103			
		HDC-6AL-SH-SPg16		16			115460020104
		HDC-6AL-SH-SPg21		21			115460020105
		HDC-6AL-SH-2SM20	2×20				115460020106
		HDC-6AL-SH-2SM25	2×25				115460020107
		HDC-6AL-SH-2SM32	2×32				115460020108
		HDC-6AL-SH-2SPg16		2×16			115460020109
		HDC-6AL-SH-2SPg21		2×21			115460020110
		HDC-6AL-SH-SM25+SM32	25+32				115460020111
		HDC-6AL-SH(No Side entry)					115460020112
	HDC-6AL-SH-TΦ20.5			115460020113			

Shell / Series A  
 Shell / Series B  
 Shell / Series P  
 Inserts / Series D  
 Inserts / Series E  
 Inserts / Series M  
 Inserts / Series N  
 Inserts / Series Q  
 Inserts / Series K (Hybrid)  
 Inserts / Series C  
 Inserts / Anti-Open Circuit  
 Accessory

Description	Type No.	Screw thread		Order No.	Drawing	Dimensions in mm
		M	Pg			
<b>Housing</b> Side entry Grey    Lower shell Lower Housing	HDC-6AL-SH-SM20	20		115460020114		
	HDC-6AL-SH-SM25	25		115460020115		
	HDC-6AL-SH-SM32	32		115460020116		
	HDC-6AL-SH-SPg16		16	115460020117		
	HDC-6AL-SH-SPg21		21	115460020118		
	HDC-6AL-SH-2SM20	2 × 20		115460020119		
	HDC-6AL-SH-2SM25	2 × 25		115460020120		
	HDC-6AL-SH-2SM32	2 × 32		115460020121		
	HDC-6AL-SH-2SPg16		2 × 16	115460020122		
	HDC-6AL-SH-2SPg21		2 × 21	115460020123		

Description	Type No.	Screw thread		Order No.	Drawing	Dimensions in mm
		M	Pg			
<b>Hoods</b> Top entry  	HDC-10AU-SH-TM20	20		115410015701		
	HDC-10AU-SH-TM25	25		115410015702		
	HDC-10AU-SH-TM32	32		115410015703		
	HDC-10AU-SH-TM40	40		115410015704		
	HDC-10AU-SH-TM50	50		115410015705		
	HDC-10AU-SH-TPg16		16	115410015712		
	HDC-10AU-SH-TPg21		21	115410015713		
	HDC-10AU-SH-TPg29		29	115410015714		
<b>Hoods</b> Double Top entry  	HDC-10AU-SH-2TM16	2 × 16		115410015718		
<b>Hoods</b> Side entry  	HDC-10AU-SH-SM20	20		115410015706		
	HDC-10AU-SH-SM22	22		115410015707		
	HDC-10AU-SH-SM25	25		115410015708		
	HDC-10AU-SH-SM32	32		115410015709		
	HDC-10AU-SH-SM40	40		115410015710		
	HDC-10AU-SH-SM50	50		115410015711		
	HDC-10AU-SH-SPg16		16	115410015715		
	HDC-10AU-SH-SPg21		21	115410015716		
	HDC-10AU-SH-SPg29		29	115410015717		
<b>Hoods</b> Top entry Black  	HDC-10AU-SH-II-TM32	32		115410022901		
	HDC-10AU-SH-II-TM20	20		115410022902		
	HDC-10AU-SH-II-TM25	25		115410022903		
	HDC-10AU-SH-II-TPg16		16	115410022904		
	HDC-10AU-SH-II-TPg21		21	115410022905		
	HDC-10AU-SH-II-TPg29		29	115410022906		

Upper Half Shell

Shell / Series A

Shell / Series B

Shell / Series P

Inserts / Series D

Inserts / Series E

Inserts / Series M

Inserts / Series H


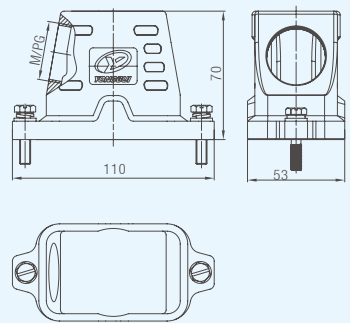

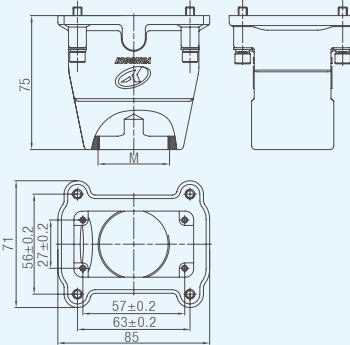

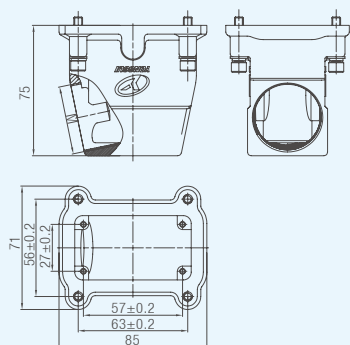
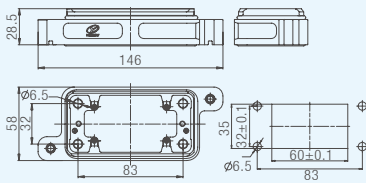
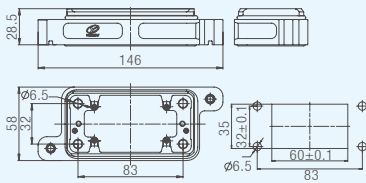
Inserts / Series Q


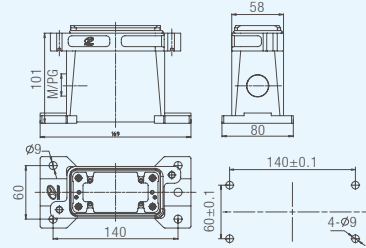

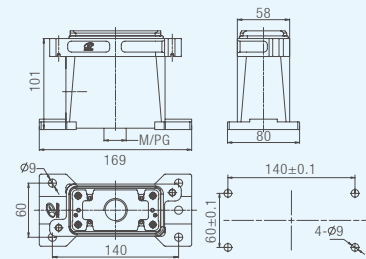

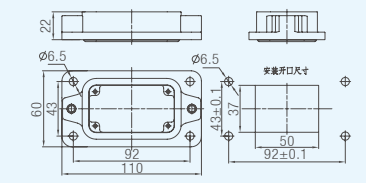

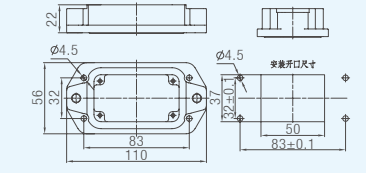
Inserts / Series K (Hybrid)

Inserts / Series C

Inserts / Anti-Open Circuit


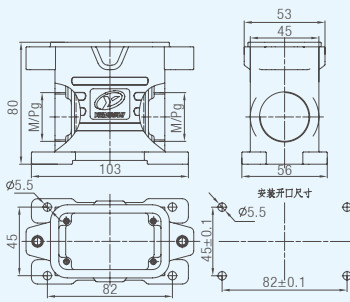

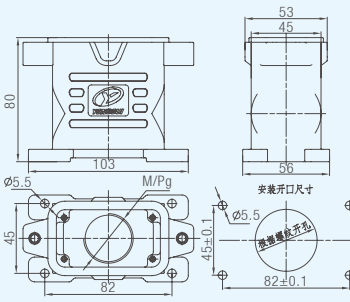
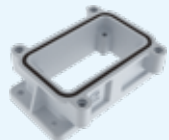
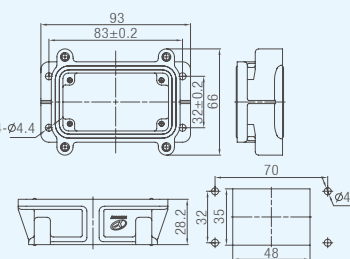
Accessory

Description	Type No.	Screw thread		Order No.	Drawing	Dimensions in mm		
		M	Pg					
<b>Hoods</b> Side entry Black 	HDC-10AU-SH-II-SM20	20		115410022907				
	HDC-10AU-SH-II-SM25	25		115410022908				
	HDC-10AU-SH-II-SM32	32		115410022909				
	HDC-10AU-SH-II-SPg16		16	115410022910				
	HDC-10AU-SH-II-SPg21		21	115410022911				
	HDC-10AU-SH-II-SPg29		29	115410022912				
<b>Upper Half Shell</b> <b>Hoods</b> Top entry EMC 	HDC-10AU-SL-TM20	20		115410025401				
	HDC-10AU-SL-TM25	25		115410025402				
	HDC-10AU-SL-TM32	32		115410025403				
	HDC-10AU-SL-TM40	40		115410025404				
	<b>Hoods</b> Side entry EMC 	HDC-10AU-SL-SM20	20			115410025405		
		HDC-10AU-SL-SM25	25			115410025406		
		HDC-10AU-SL-SM32	32			115410025407		
		HDC-10AU-SL-SM40	40			115410025408		
<b>Lower shell Lower Housing</b> 	HDC-10AL-SL			113010600560				


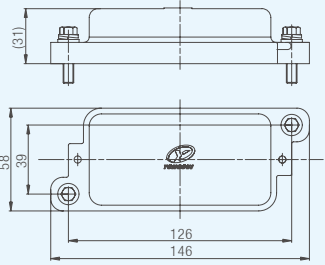

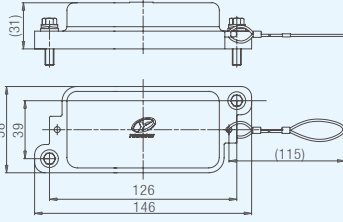

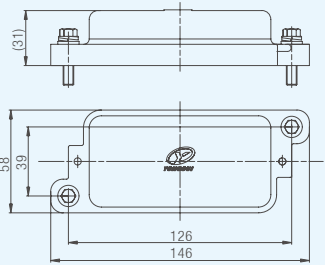

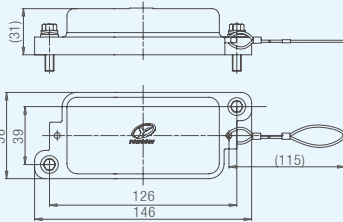

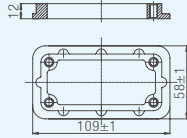
Description	Type No.	Screw thread		Order No.	Drawing	Dimensions in mm	
		M	Pg				
<b>Socket Component</b> Side entry 	HDC-10AL-SH-SM20	20		115420018801			
	HDC-10AL-SH-SM25	25		115420018802			
	HDC-10AL-SH-SM32	32		115420018803			
	HDC-10AL-SH-SPg16		16				115420018804
	HDC-10AL-SH-SPg21		21				115420018805
	HDC-10AL-SH-SPg29		29				115420018806
<b>Socket Component</b> Top entry 	HDC-10AL-SH-TM20	20		115420018807			
	HDC-10AL-SH-TM22	22		115420018808			
	HDC-10AL-SH-TM25	25		115420018809			
	HDC-10AL-SH-TM32	32		115420018810			
	HDC-10AL-SH-TPg16		16				115420018811
	HDC-10AL-SH-TPg21		21				115420018812
	HDC-10AL-SH-TPg29		29				115420018813
<b>Housing</b> Black 	HDC-10AL-SH-II			113010600700			
<b>Housing</b> Black 	HDC-10AL-SH-II			113010600702			


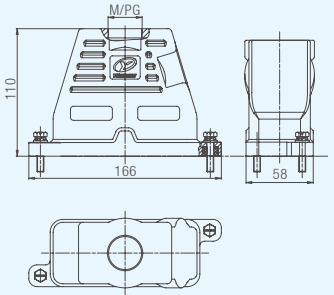

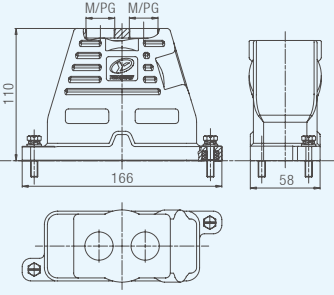

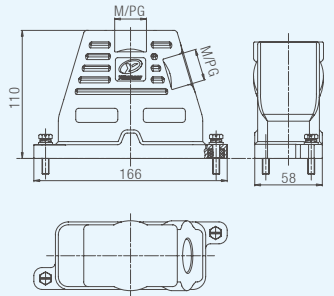
Lower shell Lower Housing

Shell / Series A  
 Shell / Series B  
 Shell / Series P  
 Inserts / Series D  
 Inserts / Series E  
 Inserts / Series M  
 Inserts / Series H  
 Inserts / Series Q  
 Inserts / Series K (Hybrid)  
 Inserts / Series C  
 Inserts / Anti-Open Circuit  
 Accessory

Description	Type No.	Screw thread		Order No.	Drawing	Dimensions in mm
		M	Pg			
<b>Socket Component</b> Side entry Black 	HDC-10AL-SH-II-SM32	32		115460021901		
	HDC-10AL-SH-II-SM20	20		115460021902		
	HDC-10AL-SH-II-SM25	25		115460021903		
	HDC-10AL-SH-II-SM40	40		115460021904		
	HDC-10AL-SH-II-SPg16		16	115460021905		
	HDC-10AL-SH-II-SPg21		21	115460021906		
	HDC-10AL-SH-II-SPg29		29	115460021907		
	HDC-10AL-SH-II-2SM20	2×20		115460021908		
	HDC-10AL-SH-II-2SM25	2×25		115460021909		
	HDC-10AL-SH-II-2SM32	2×32		115460021910		
	HDC-10AL-SH-II-2SM40	2×40		115460021911		
	HDC-10AL-SH-II-2SPg16		2×16	115460021912		
	HDC-10AL-SH-II-2SPg21		2×21	115460021913		
	HDC-10AL-SH-II-2SPg29		2×29	115460021914		
<b>Socket Component</b> Top entry Black 	HDC-10AL-SH-II-TM20	20		115460021915		
	HDC-10AL-SH-II-TM25	25		115460021916		
	HDC-10AL-SH-II-TM32	32		115460021917		
	HDC-10AL-SH-II-TM40	40		115460021918		
	HDC-10AL-SH-II-TPg16		16	115460021919		
	HDC-10AL-SH-II-TPg21		21	115460021920		
	HDC-10AL-SH-II-TPg29		29	115460021921		
HDC-10AL-SH-II-2Tpg29		2×29	115460021922			
<b>Housing</b> EMC 	HDC-10AL-SL-II			113010600739		


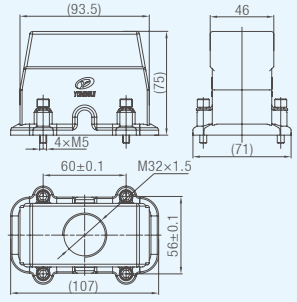
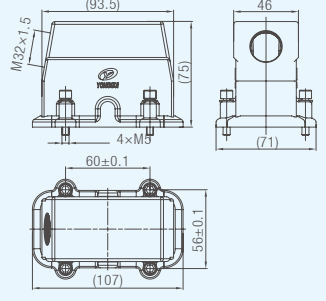

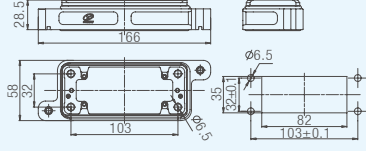
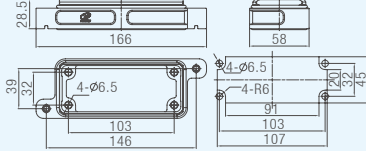
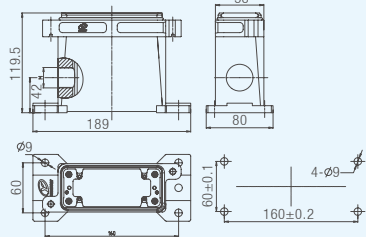
Lower shell Lower Housing


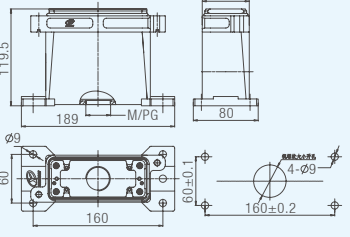

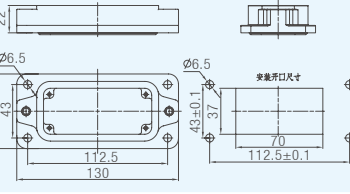

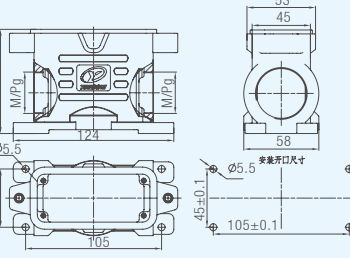

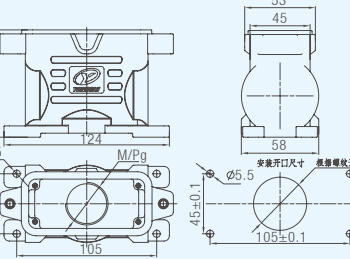
Description	Type No.	Screw thread		Order No.	Drawing	Dimensions in mm
		M	Pg			
Protective cover	<b>Metal protective cover</b> Socket end protection 	HDC-10A-MC-F			113011600822	
	<b>Metal protective cover</b> Socket end protection with nylon rope 	HDC-10A-MC-FS			113011600810	
	<b>Plastic Protective cover</b> Socket end protection 	HDC-10A-PC-F			113011600824	
	<b>Plastic Protective cover</b> Socket end protection with nylon rope 	HDC-10A-PC-FS			113011600827	
Mounting seat		HDC-10A			114012300006	

Description	Type No.	Screw thread		Order No.	Drawing	Dimensions in mm
		M	Pg			
<b>Hoods</b> Top entry  	HDC-16AU-SH-TM20	20		115410015801		
	HDC-16AU-SH-TM25	25		115410015802		
	HDC-16AU-SH-TM32	32		115410015803		
	HDC-16AU-SH-TM40	40		115410015804		
	HDC-16AU-SH-TM50	50		115410015805		
	HDC-16AU-SH-TPg21		21	115410015810		
	HDC-16AU-SH-TPg29		29	115410015811		
	HDC-16AU-SH-TPg36		36	115410015812		
<b>Hoods</b> Double Top entry  	HDC-16AU-SH-2TM25	2×25		115410015816		
	HDC-16AU-SH-2TM25 (孔距 42)	2×25		115410015817		
	HDC-16AU-SH-TM20+TM25	20+25		115410015818		
	HDC-16AU-SH-2TM20	2×20		115410015820		
<b>Hoods</b> Side entry  	HDC-16AU-SH-SM25	25		115410015806		
	HDC-16AU-SH-SM32	32		115410015807		
	HDC-16AU-SH-SM40	40		115410015808		
	HDC-16AU-SH-SM50	50		115410015809		
	HDC-16AU-SH-SPg21		21	115410015813		
	HDC-16AU-SH-SPg29		29	115410015814		
	HDC-16AU-SH-SPg36		36	115410015815		



Description	Type No.	Screw thread		Order No.	Drawing	Dimensions in mm
		M	Pg			
Upper Half Shell	<b>Hoods</b> Top/Side Double Entry		HDC-16AU-SH-TM40+SM40	40+40	115410015819	
	<b>Hoods</b> Four Top entry		HDC-16AU-SH-III-4TM20	4×20	115410023101	
			HDC-16AU-SH-III-4TM25	4×25	115410023102	
	<b>Hoods</b> Top entry Black		HDC-16AU-SH-II-TM32	32	115410023001	
			HDC-16AU-SH-II-TM20	20	115410023002	
			HDC-16AU-SH-II-TM25	25	115410023003	
			HDC-16AU-SH-II-TM40	40	115410023004	
			HDC-16AU-SH-II-TPg16	16	115410023005	
			HDC-16AU-SH-II-TPg21	21	115410023006	
			HDC-16AU-SH-II-TPg29	29	115410023007	
<b>Hoods</b> Side entry Black	HDC-16AU-SH-II-SM20	20	115410023008			
	HDC-16AU-SH-II-SM25	25	115410023009			
	HDC-16AU-SH-II-SM32	32	115410023010			
	HDC-16AU-SH-II-SM40	40	115410023011			
	HDC-16AU-SH-II-SPg16	16	115410023012			
	HDC-16AU-SH-II-SPg21	21	115410023013			
	HDC-16AU-SH-II-SPg29	29	115410023014			

Description	Type No.	Screw thread		Order No.	Drawing	Dimensions in mm
		M	Pg			
<b>Upper Half Shell</b> 	<b>Hoods</b> High structure EMC Top entry A77-EMC-TM32	32		115410028401		
	<b>Hoods</b> High structure EMC Side entry A77-EMC-SM32	32		115410028402		
<b>Lower shell Lower Housing</b> 	<b>Housing</b> HDC-16AL-SL			113010600559		
	<b>Housing</b> HDC-16AL-SL-III			113010600701		
	<b>Socket Component</b> Side entry	HDC-16AL-SH-SM20 HDC-16AL-SH-SM25 HDC-16AL-SH-SM32 HDC-16AL-SH-SM40 HDC-16AL-SH-SM50 HDC-16AL-SH-SPg21 HDC-16AL-SH-SPg29	20 25 32 40 50 21 29		115420018901 115420018902 115420018903 115420018904 115420018905 115420018906 115420018907	

Description	Type No.	Screw thread		Order No.	Drawing	Dimensions in mm
		M	Pg			
<b>Socket Component</b> Top entry 	HDC-16AL-SH-TM20	20		115420018908		
	HDC-16AL-SH-TM25	25		115420018909		
	HDC-16AL-SH-TM32	32		115420018910		
	HDC-16AL-SH-TM40	40		115420018911		
	HDC-16AL-SH-TM50	50		115420018912		
	HDC-16AL-SH-2TM25	2×25		115420018913		
<b>Housing</b> Black 	HDC-16AL-SH-II			113010600699		
	HDC-16AL-SH-II			113010600707		
<b>Socket Component</b> Side entry Black 	HDC-16AL-SH-II-SM20	20		115460022003		
	HDC-16AL-SH-II-SM25	25		115460022004		
	HDC-16AL-SH-II-SM32	32		115460022005		
	HDC-16AL-SH-II-SM40	40		115460022006		
	HDC-16AL-SH-II-SPg16		16	115460022007		
	HDC-16AL-SH-II-SPg21		21	115460022008		
	HDC-16AL-SH-II-SPg29		29	115460022009		
	HDC-16AL-SH-II-2SM20	2×20		115460022010		
	HDC-16AL-SH-II-2SM25	2×25		115460022011		
	HDC-16AL-SH-II-2SM32	2×32		115460022012		
	HDC-16AL-SH-II-2SM40	2×40		115460022013		
	HDC-16AL-SH-II-2SPg16		2×16	115460022014		
	HDC-16AL-SH-II-2SPg21		2×21	115460022015		
	HDC-16AL-SH-II-2SPg29		2×29	115460022016		
<b>Socket Component</b> Top entry Black 	HDC-16AL-SH-II-TM20	20		115460022017		
	HDC-16AL-SH-II-TM25	25		115460022018		
	HDC-16AL-SH-II-TM32	32		115460022019		
	HDC-16AL-SH-II-TM40	40		115460022020		
	HDC-16AL-SH-II-TPg16		16	115460022021		
	HDC-16AL-SH-II-TPg21		21	115460022022		
	HDC-16AL-SH-II-TPg29		29	115460022001		
	HDC-16AL-SH-II			115460022002		

Lower shell Lower Housing

Shell / Series A

Shell / Series B

Shell / Series P

Housing / Series D

Inserts / Series E

Inserts / Series M

Inserts / Series H


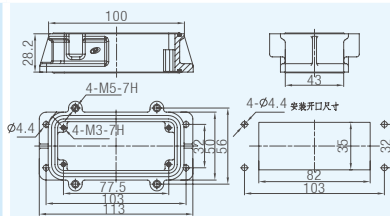

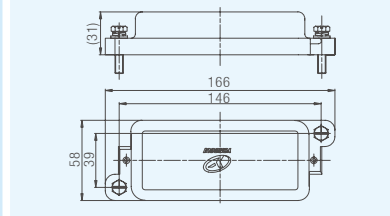

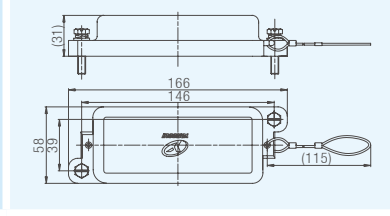

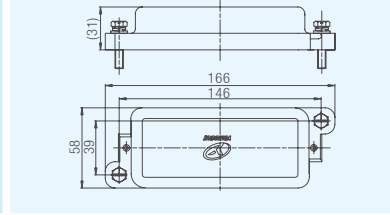
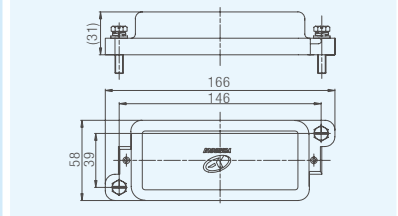
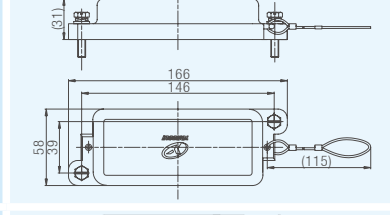
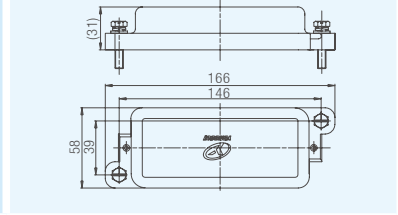
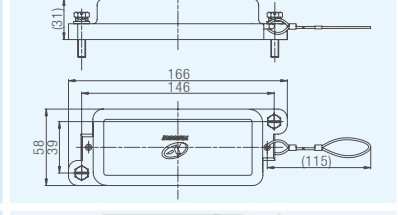
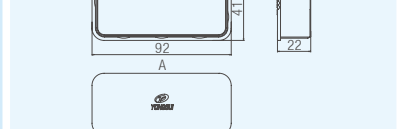
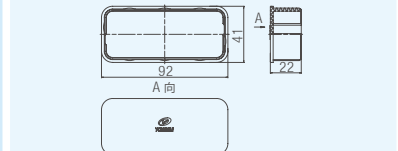

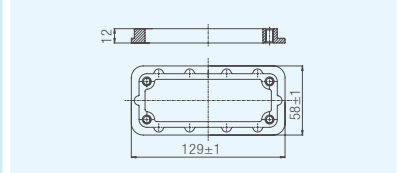
Inserts / Series Q


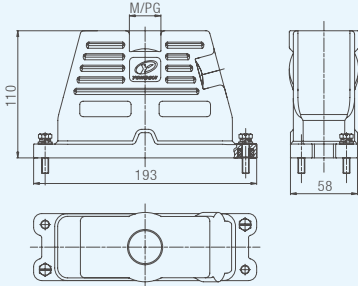

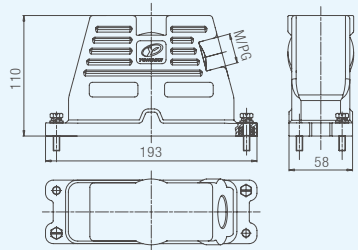

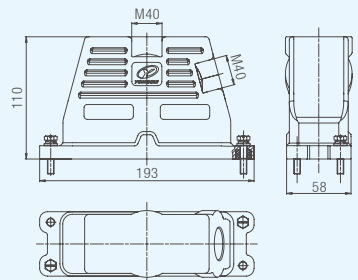
Inserts / Series K (Hybrid)

Inserts / Series C


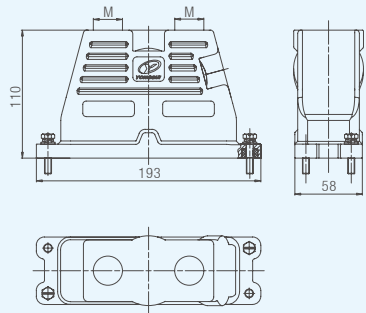

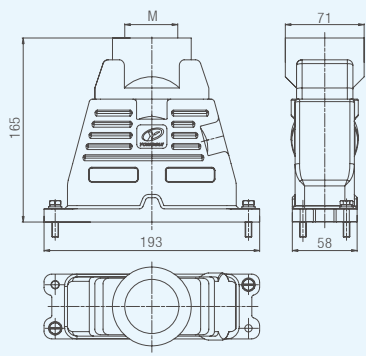

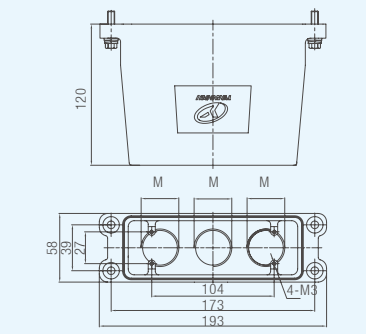
Inserts / Anti-Open Circuit

Accessory


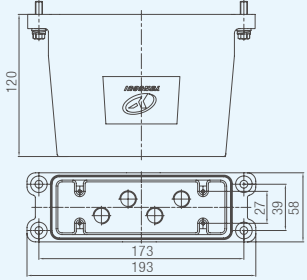

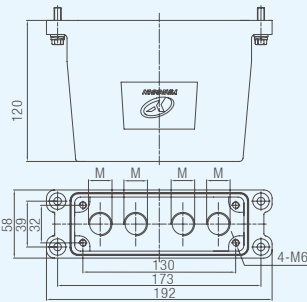

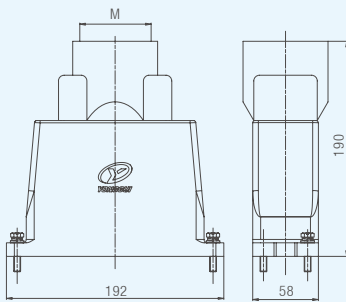

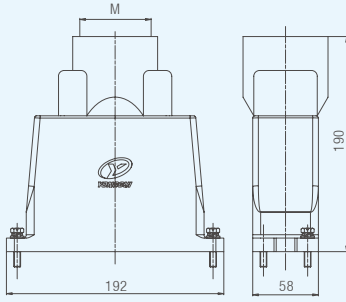

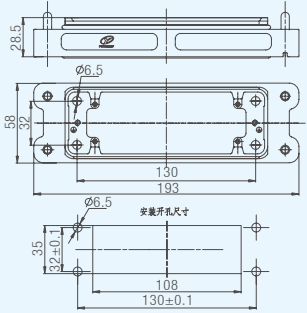
Description	Type No.	Screw thread		Order No.	Drawing	Dimensions in mm
		M	Pg			
<b>Lower shell Lower Housing</b> 	A77 插座壳体组件 (EMC)			113010600190		
<b>Protective cover</b>      	<b>Metal protective cover</b> Socket end protection HDC-16A-MC-F			113011600813		
	<b>Metal protective cover</b> Socket end protection with nylon rope HDC-16A-MC-FS			113011600826		
	<b>Plastic Protective cover</b> Socket end protection HDC-16A-PC-F			113011600828		
	<b>Plastic Protective cover</b> Socket end protection with nylon rope HDC-16A-PC-FS			113011600829		
	<b>Protective cover</b> A77-PC-M			114069801766		
	<b>Protective cover</b> A77-PC-F			501021701398		
<b>Mounting seat</b> 	HDC-16A			114012300099		

Description	Type No.	Screw thread		Order No.	Drawing	Dimensions in mm
		M	Pg			
<b>Hoods</b> Top entry  	HDC-24AU-SGH-TM20	20		115410015416		
	HDC-24AU-SGH-TM25	25		115410015401		
	HDC-24AU-SGH-TM32	32		115410015402		
	HDC-24AU-SGH-TM40	40		115410015403		
	HDC-24AU-SGH-TM50	50		115410015404		
	HDC-24AU-SGH-TPg21		21	115410015409		
	HDC-24AU-SGH-TPg29		29	115410015410		
	HDC-24AU-SGH-TPg36		36	115410015411		
<b>Hoods</b> Side entry  	HDC-24AU-SGH-SM20	20		115410015417		
	HDC-24AU-SGH-SM25	25		115410015405		
	HDC-24AU-SGH-SM32	32		115410015406		
	HDC-24AU-SGH-SM40	40		115410015407		
	HDC-24AU-SGH-SM50	50		115410015408		
	HDC-24AU-SGH-SMPg21		21	115410015412		
	HDC-24AU-SGH-SMPg29		29	115410015413		
	HDC-24AU-SGH-SMPg36		36	115410015414		
<b>Hoods</b> Top/Side Double Entry  	HDC-24AU-SGH-TM40+SM40	40+40		115410015415		
	HDC-24AU-SGH-TM32+SM32	32+32		115410015418		
	HDC-24AU-SGH-TM25+SM32	25+32		115410015419		


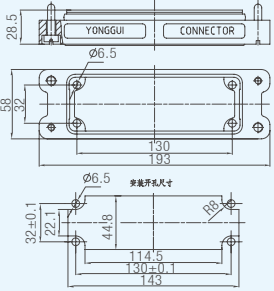

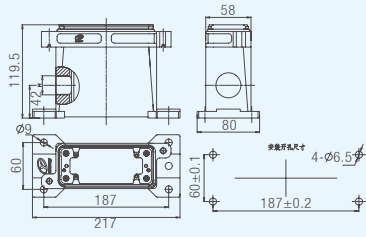

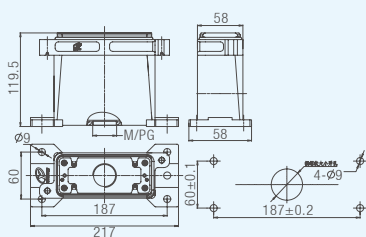

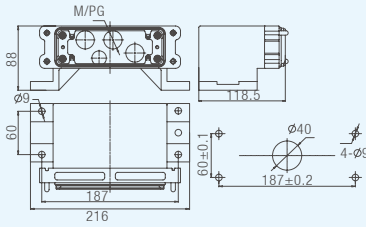
Shell / Series A  
 Shell / Series B  
 Shell / Series P  
 Inerts / Series D  
 Inerts / Series E  
 Inerts / Series M  
 Inerts / Series H  
 Inerts / Series Q  
 Inerts / Series K (Hyond)  
 Inerts / Series C  
 Inerts / Anti-Open Circuit  
 Accessory

Description	Type No.	Screw thread		Order No.	Drawing	Dimensions in mm
		M	Pg			
<b>Hoods</b> Top entry  	HDC-24AU-SGH-2TM25	2 × 25		115410018401		
	HDC-24AU-SGH-3TM25	3 × 25		115410018402		
	HDC-24AU-SGH-2TM32	2 × 32		115410018403		
	HDC-24AU-SGH-2TM40	2 × 40		115410018404		
	HDC-24AU-SGH-TM25+TM32	25+32		115410018405		
	HDC-24AU-SGH-TM32+TM40	32+40		115410018406		
	HDC-24AU-SGH-TM20+TM32	20+32		115410018407		
	HDC-24AU-SGH-(TM20+TM32)	20+32		115410018408		
	HDC-24AU-SGH-(TM20+TM25)	20+25		115410018409		
HDC-24AU-SGH-2TM32	2 × 32		115410018410			
<b>Hoods</b> Top entry with outlet seat  	HDC-24AU-SGH-TM50	50		115410018501		
	HDC-24AU-SGH-TM63	63		115410018502		
<b>Type II Hoods</b> Top entry  	HDC-24AU-SGH-3TM32	3 × 32		115410018101		
	HDC-24AU-SGH-2TM32	2 × 32		115410018102		
	HDC-24AU-SGH-TM50	50		115410018111		
	HDC-24AU-SGH-TM20+2TM32	20+ 2 × 32		115410018104		
	HDC-24AU-SGH-TM20+2TM32	20+ 2 × 32		115410018105		
	HDC-24AU-SGH-TM20+2TM25	20+ 2 × 25		115410018106		
	HDC-24AU-SGH-TM25+2TM32	25+ 2 × 32		115410018107		
	HDC-24AU-SGH-2TM32	2 × 32		115410018108		
	HDC-24AU-SGH-2TM40	2 × 40		115410018109		
	HDC-24AU-SGH-3TM25	3 × 25		115410018110		

Upper Half Shell


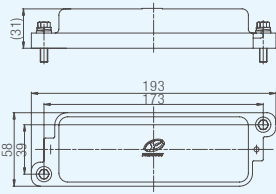
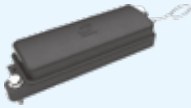
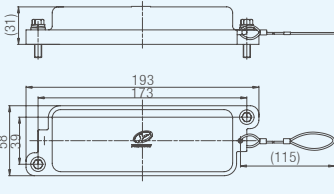

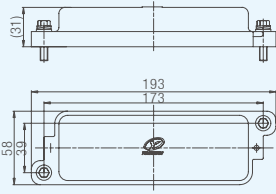
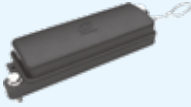
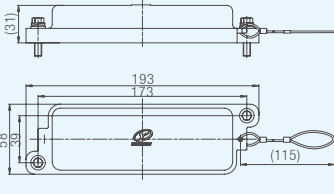
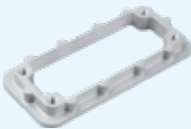
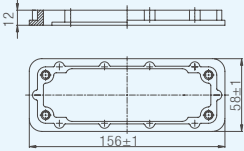
Description	Type No.	Screw thread		Order No.	Drawing	Dimensions in mm
		M	Pg			
Upper Half Shell	<b>Hoods</b> FourTop entry 	HDC-24AU-SGH- II -4TM20	4 × 20	115410021501		
	HDC-24AU-SGH- II -4TM25	4 × 25	115410021502			
	<b>Type III Hoods</b> Top entry 	HDC-24AU-SGH- 4TM25	4 × 25	115410018201		
	HDC-24AU-SGH-TM20+3TM25	20+3 × 25	115410018203			
	HDC-24AU-SGH-2TM20+2TM32	2 × 20 +2 × 32	115410018204			
	<b>Type II Hoods</b> Top entry with outlet seat 	HDC-24AU-SGH-II-T-TM63	63	113010100792		
<b>Type II Hoods</b> Top entry with outlet seat 	HDC-24AU-SGH-II-T-TM50	50	113010100793			
Lower shell Lower Housing	<b>Housing</b> 	HDC-24AL-SGL		113010600534		


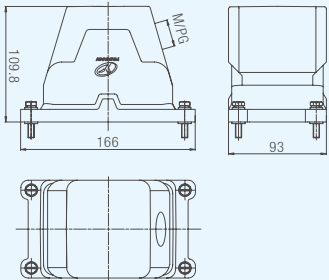

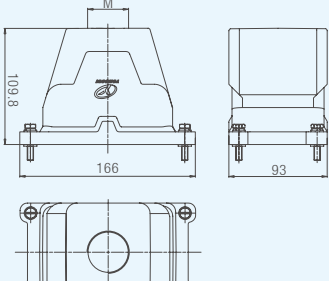

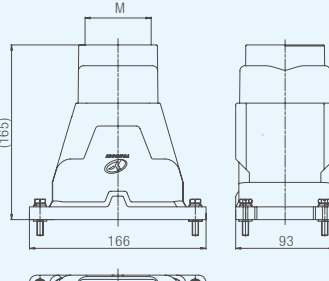

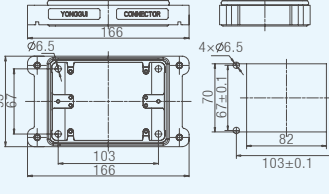

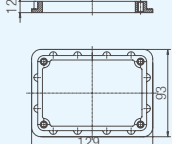
Shell / Series A  
 Shell / Series B  
 Shell / Series P  
 Inserts / Series D  
 Inserts / Series E  
 Inserts / Series M  
 Inserts / Series H  
 Inserts / Series Q  
 Inserts / Series K (Hybrid)  
 Inserts / Series C  
 Inserts / Anti-Open Circuit  
 Accessory


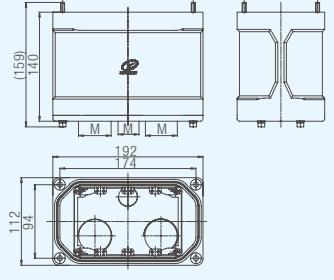

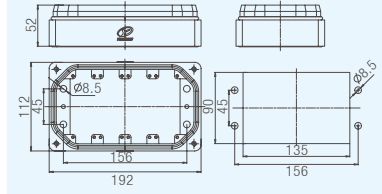

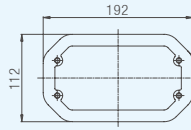

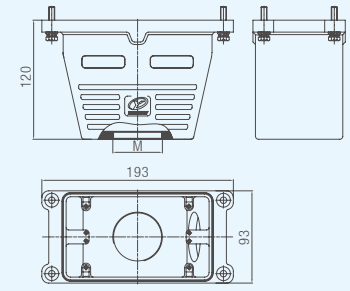

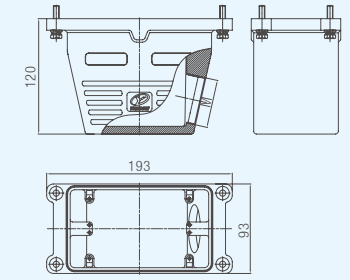
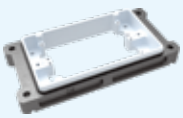
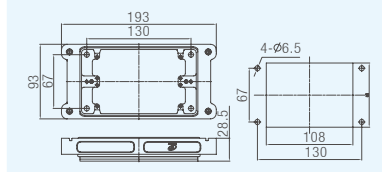
Description	Type No.	Screw thread		Order No.	Drawing	Dimensions in mm	
		M	Pg				
<b>Type II Housing</b>  	HDC-24AL-SGL			113010600636			
	<b>Socket Component</b> Side entry  	HDC-24AL-SGH-SM25	25		115420019001		
		HDC-24AL-SGH-SM32	32		115420019002		
		HDC-24AL-SGH-SM40	40		115420019003		
		HDC-24AL-SGH-SM50	50		115420019004		
		HDC-24AL-SGH-2SM40	2 × 40		115420019008		
		HDC-24AL-SGH-SPg21		21	115420019005		
		HDC-24AL-SGH-SPg29		29	115420019006		
		HDC-24AL-SGH-SPg36		36	115420019007		
	HDC-24AL-SGH-2SPg36		2 × 36	115420019009			
<b>Socket Component</b> Bottom entry  	HDC-24AL-SGH-TM25	25		115420019010			
	HDC-24AL-SGH-TM32	32		115420019011			
	HDC-24AL-SGH-TM40	40		115420019012			
	HDC-24AL-SGH-TM50	50		115420019013			
	HDC-24AL-SGH-3TM32	3 × 32		115420019014			
<b>Socket Component</b> Horizontal  	HDC-24AL-SGH-HT-SM20+3SM25	20+ 3 × 25		115420019101			
	HDC-24AL-SGH-HT-3SM32	3 × 32		115420019102			
	HDC-24AL-SGH-HT-3SM32	3 × 32		115420019103			
	HDC-24AL-SGH-HT-2SM32	2 × 32		115420019104			
	HDC-24AL-SGH-HT-3SM25	3 × 25		115420019105			
	HDC-24AL-SGH-HT-2SM32	2 × 32		115420019106			
	HDC-24AL-SGH-HT-4SM25	4 × 25		115420019107			

Lower shell Lower Housing



Description	Type No.	Screw thread		Order No.	Drawing	Dimensions in mm
		M	Pg			
Protective cover	<b>Metal protective cover</b> Socket end protection 	HDC-24A-MC-F			113011600830	
	<b>Metal protective cover</b> Socket end protection with nylon rope 	HDC-24A-MC-FS			113011600816	
	<b>Plastic Protective cover</b> Socket end protection 	HDC-24A-PC-F			113011600831	
	<b>Plastic Protective cover</b> Socket end protection with nylon rope 	HDC-24A-PC-FS			113011600832	
Mounting seat		HDC-24A			114012300002	

Description	Type No.	Screw thread		Order No.	Drawing	Dimensions in mm
		M	Pg			
<b>Hoods</b> Side entry  	HDC-32AU-SH-SM32	32		115410019201		
	HDC-32AU-SH-SM40	40		115410019202		
	HDC-32AU-SH-SM50	50		115410019203		
	HDC-32AU-SH-SPg29		29	115410019204		
	HDC-32AU-SH-SPg36		36	115410019205		
	HDC-32AU-SH-SPg48		48	115410019206		
<b>Hoods</b> Top entry  	HDC-32AU-SH-TM32	32		115410019207		
	HDC-32AU-SH-TM40	40		115410019208		
	HDC-32AU-SH-TM50	50		115410019209		
	HDC-32AU-SH-TM63	63		115410019210		
	HDC-32AU-SH-TPg29		29	115410019211		
	HDC-32AU-SH-TPg36		36	115410019212		
	HDC-32AU-SH-TPg48		48	115410019213		
<b>Hoods</b> Top entry with outlet seat  	HDC-32AU-SH-TM63	63		113010100808		
<b>Housing</b>  	HDC-32AL-SL			113010600631		
<b>Mounting seat</b>  	HDC-32A			114012300026		

Description	Type No.	Screw thread		Order No.	Drawing	Dimensions in mm
		M	Pg			
Upper Half Shell 	Hoods Top outlet	HDC-48AU-SH-TM25+2TM50	25+	2×50	115410019401	
		HDC-48AU-SH-TM40+TM50	40+	50	115410019402	
		HDC-48AU-SH-2TM50	2×	50	115410019403	
		HDC-48AU-SH-TM50	50		115410019404	
		HDC-48AU-SH-TM32+2TM50	32+	2×50	115410019405	
		HDC-48AU-SH-TM32+2TM50	32+	2×50	115410019406	
		HDC-48AU-SH-TM63	63		115410019407	
Lower shell Lower Housing 	HDC-48AL-SL			113010600637		
Mounting seat 	HDC-48A			114012300008		
Upper Half Shell 	Hoods Top entry	HDC-48AU-SH-II-TM50	50		115410023201	
		HDC-48AU-SH-II-TM63	63		115410023202	
Upper Half Shell 	Hoods Side entry	HDC-48AU-SH-II-SM50	50		115410023203	
		HDC-48AU-SH II-SM63	63		115410023204	
Lower shell Lower Housing 	HDC-48AL-SL-II			113010600703		


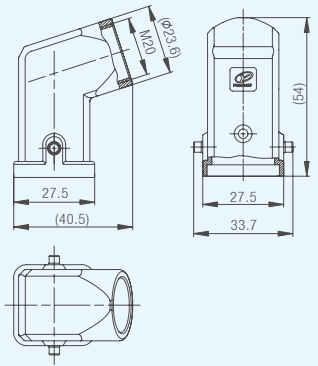

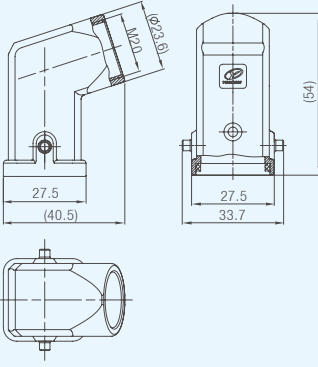

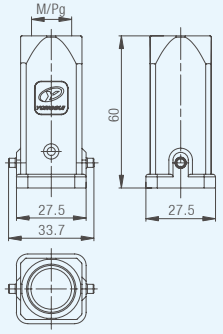

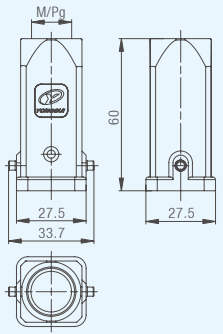
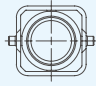
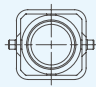
## B Series Shell


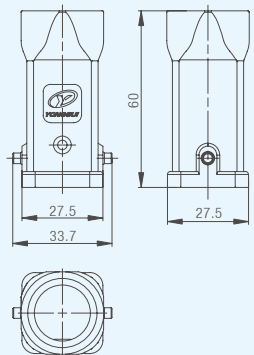

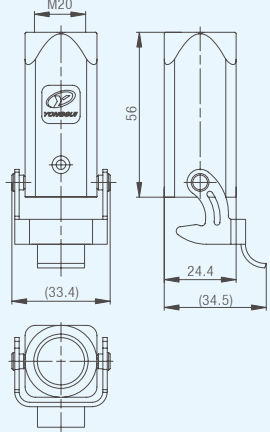

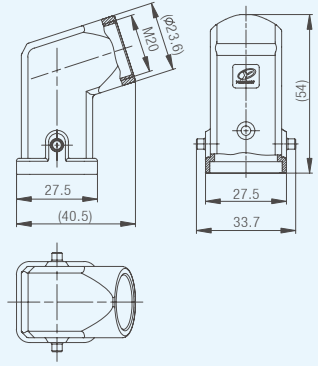

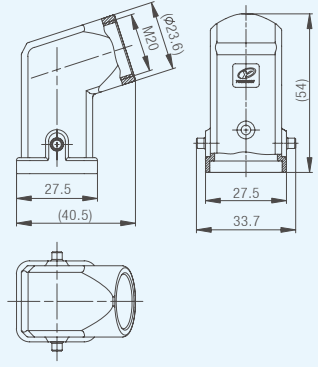



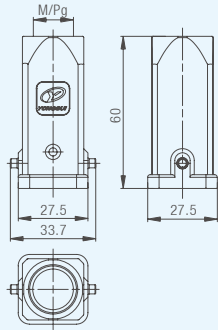

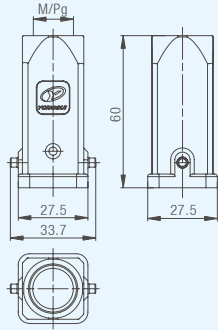

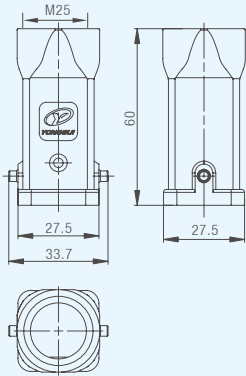

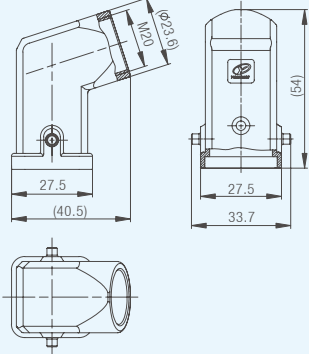
### Technical Specification Of the Shell

---

- Materials: Diecast aluminum alloy
- Color: Black/Grey
- Locking mode: Lock the handle
- Sealing element: Silicone rubber
- Temperature range: -40 ~ 125°C
- Protection Grade: IP67
- Flame retardant Grade: EN 45545-2 R22&R23 HL3

Description	Type No.	Screw thread		Order No.	Drawing	Dimensions in mm
		M	Pg			
Upper Half Shell	<b>Hoods</b> Side entry without seal 	HDC-3BU-SM20	20		113040100130	
	<b>Hoods</b> Side entry Grey with seal 	HDC-3BU-SM20	20		113040100216	
	<b>Hoods</b> Top entry Grey without seal 	HDC-3BU-TM20	20		115410016702	
	<b>Hoods</b> Top entry Grey with seal 	HDC-3BU-TM20	20		115410026402	
		HDC-3BU-TPg11	11		115410016704	
		HDC-3BU-TPg11	11		115410026405	


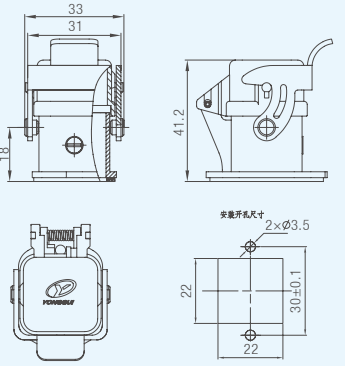

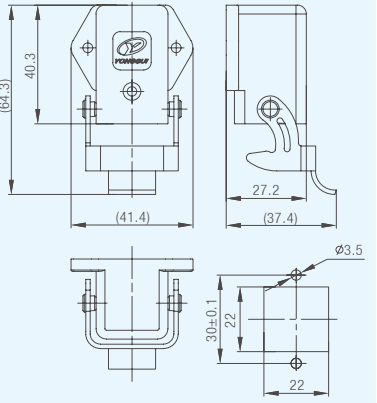

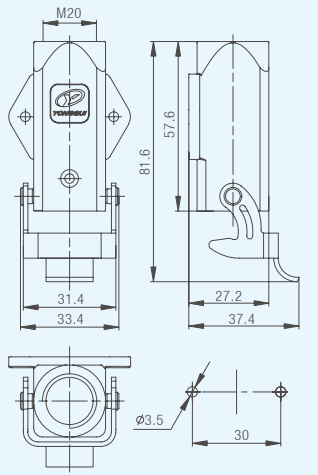

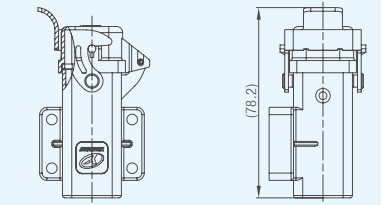

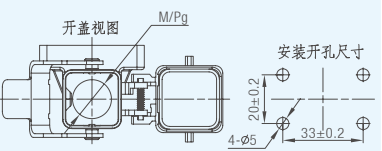
Description	Type No.	Screw thread		Order No.	Drawing	Dimensions in mm
		M	Pg			
Upper Half Shell	<b>Hoods</b> Top entry without seal 	HDC-3BU-TM25	25		115410016802	
	<b>Hoods</b> Top entry 	HDC-3BU-TM20-FL	20		115410018602	
	<b>Hoods</b> Side entry Black without seal 	HDC-3BU-X-SM20	20		113040100199	
	<b>Hoods</b> Side entry Black with seal 	HDC-3BU-X-SM20	20		113040100220	

Description	Type No.	Screw thread		Order No.	Drawing	Dimensions in mm
		M	Pg			
Upper Half Shell	<b>Hoods</b> Top entry Black without seal 	HDC-3BU-TM20	20		115410016701	
	HDC-3BU-Pg11		11	115410016705		
	<b>Hoods</b> Top entry Black with seal 	HDC-3BU-TM20	20		115410026401	
	HDC-3BU-TPg11		11	115410026404		
	<b>Hoods</b> Top entry Black without seal 	HDC-3BU-TM25	25		115410016801	
<b>Hoods</b> Side entry EMC without seal 	HDC-3BU-SM20	20		113040100152		


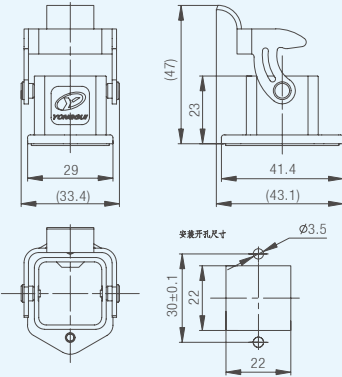

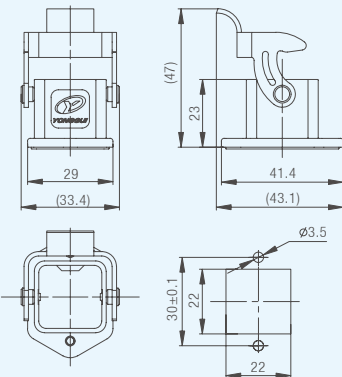

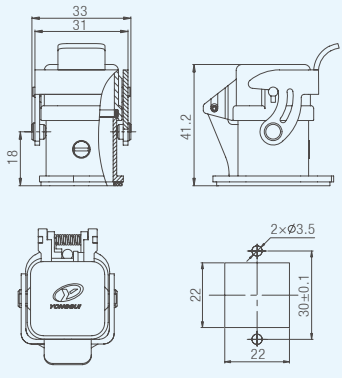

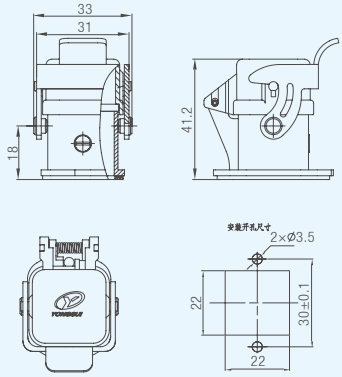
Description	Type No.	Screw thread		Order No.	Drawing	Dimensions in mm
		M	Pg			
Upper Half Shell	<b>Hoods</b> Side entry EMC with seal	HDC-3BU-EMC-SM20	20		113040100217	
	<b>Hoods</b> Top entry EMC without seal	HDC-3BU-TM20	20		113040100153	
	<b>Hoods</b> Top entry EMC with seal	HDC-3BU-EMC-TM20	20		113040100198	
	<b>Hoods</b> Top entry EMC without seal	HDC-3BU-TM25	25		113040100154	



Description	Type No.	Screw thread		Order No.	Drawing	Dimensions in mm
		M	Pg			
Upper Half Shell	<b>Hoods</b> Top entry EMC with seal	HDC-3BU-EMC-TM25	25	113040100218		
	<b>Hoods</b> Top entry EMC	HDC-3BU-TM20-FL	20	113040100155		
Lower shell Lower Housing	<b>Housing</b> Grey	HDC-3BL		115420017402		
	<b>Housing</b> Grey with seal	HDC-3BL-MCV		113040100159		


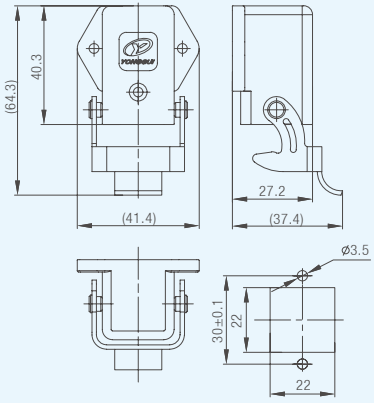

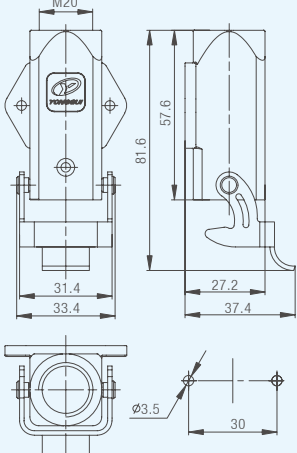



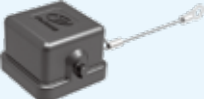
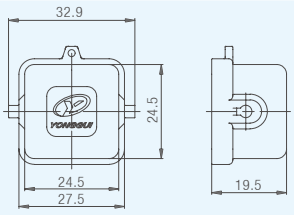
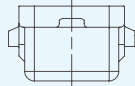
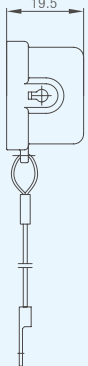
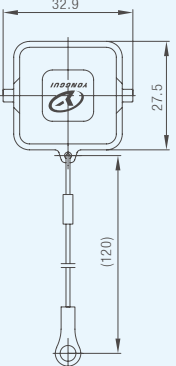
Description	Type No.	Screw thread		Order No.	Drawing	Dimensions in mm
		M	Pg			
<b>Housing</b> with cocer Grey without seal 	HDC-3BL-MCV			113040100197		
<b>Housing</b> Grey Bottom entry 	HDC-3BL-RA			115420019302		
<b>Housing</b> Grey Top entry 	HDC-3BL-H	20		115420019202		
<b>Housing</b> Top entry Grey with cocer 	HDC-3BL-HT-MCV-TM20	20		115420024601		
	HDC-3BL-HT-MCV-TPg11		11	115420024603		


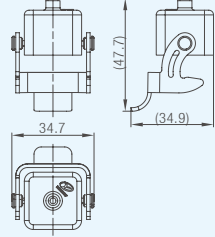


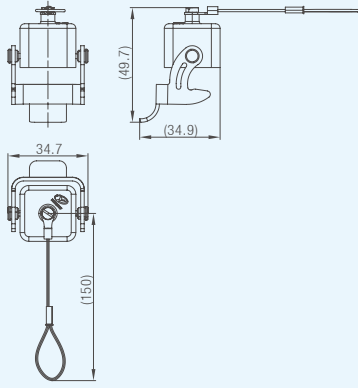
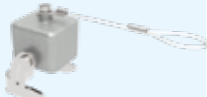
Lower shell Lower Housing

Description	Type No.	Screw thread		Order No.	Drawing	Dimensions in mm
		M	Pg			
<b>Housing</b> Black 	HDC-3BL			115420017401		
<b>Housing</b> EMC 	HDC-3BL-EMC			113040100156		
<b>Housing</b> with cocer EMC with seal 	HDC-3BL-MCV-EMC			113040100160		
<b>Housing</b> with cocer EMC without seal 	HDC-3BL-MCV-EMC			113040100219		

Lower shell Lower Housing


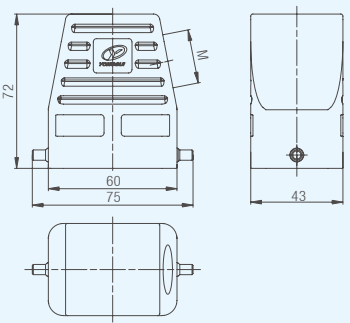

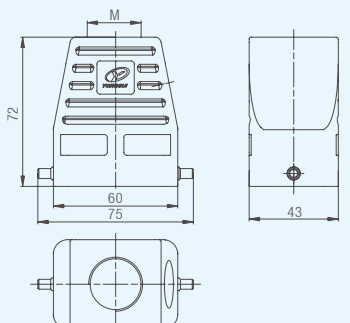
Shell / Series A  
 Shell / Series B  
 Shell / Series P  
 Insert / Series D  
 Insert / Series E  
 Insert / Series M  
 Insert / Series H  
 Insert / Series Q  
 Insert / Series K (Hybrid)  
 Insert / Series C  
 Insert / Anti-Open Circuit  
 Accessory

Description	Type No.	Screw thread		Order No.	Drawing	Dimensions in mm
		M	Pg			
<b>Housing</b> EMC  	HDC-3BL-RA-EMC			113040100157		
	<b>Lower shell Lower Housing</b>					
<b>Housing</b> Top entryEMC  	HDC-3BL-H-EMC-TM20	20		113040100158		
<b>Metal protective cover</b>    <b>Metal protective cover with nylon rope</b>   <b>Plastic Protective cover</b>   <b>Plastic Protective cover with nylon rope</b> 	HDC-3B-MC-F			114040100416		
	HDC-3B-MC-FS			114040100446		
	HDC-3B-PC-F			114069804095		
	HDC-3B-PC-FS			114040100447		


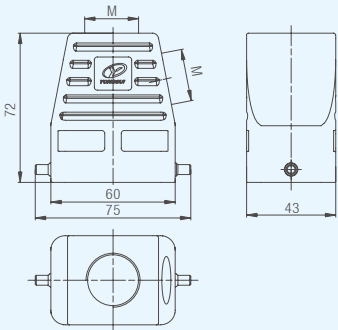

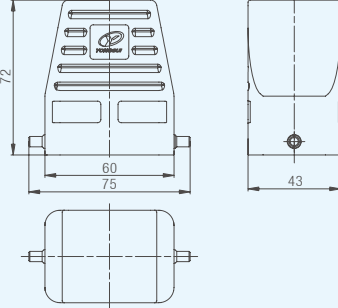

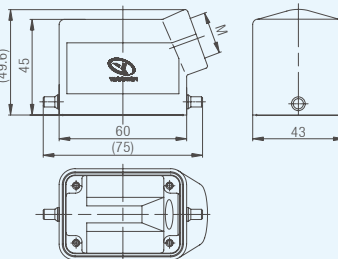

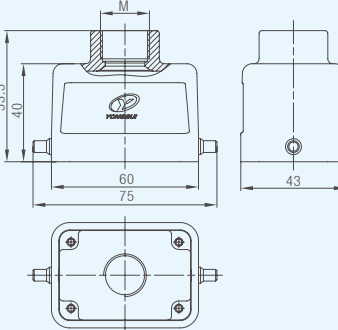
Description	Type No.	Screw thread		Order No.	Drawing	Dimensions in mm	
		M	Pg				
<b>Metal protective cover</b> Black No plug end protection 	HDC-3B-MC-M			115430002901			
<b>Metal protective cover</b> Grey No plug end protection 	HDC-3B-MC-M			115430002902			
<b>Metal protective cover</b> Black with plug end protection 	HDC-3B-MC-MS			115430002801			
<b>Metal protective cover</b> Grey with plug end protection 	HDC-3B-MC-MS			115430002802			


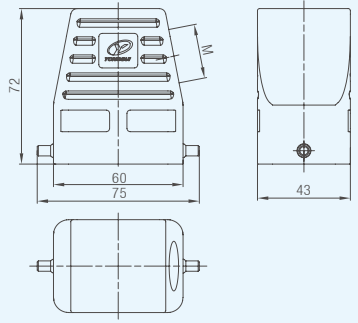

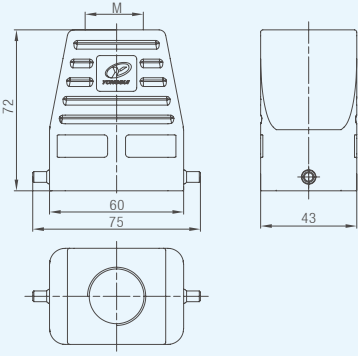

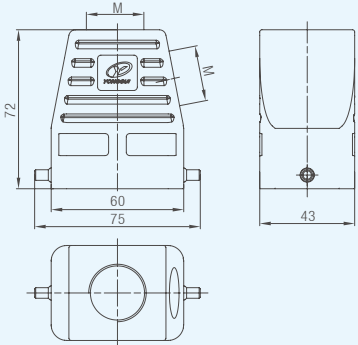
Protective cover

Shell / Series A  
 Shell / Series B  
 Shell / Series P  
 Inerts / Series D  
 Inerts / Series E  
 Inerts / Series M  
 Inerts / Series N  
 Inerts / Series O  
 Inerts / Series K (Hyond)  
 Inerts / Series C  
 Inerts / Anti-Open Circuit  
 Accessory

Description	Type No.	Screw thread		Order No.	Drawing	Dimensions in mm
		M	Pg			
<b>Hoods</b> One side High structure Side entry  	HDC-6BU-SH-SM20	20		115410015501		
	HDC-6BU-SH-SM25	25		115410015502		
	HDC-6BU-SH-SM32	32		115410015503		
	HDC-6BU-SH-SPg13		13	115410015507		
	HDC-6BU-SH-SPg16		16	115410015508		
	HDC-6BU-SH-SPg21		21	115410015509		
	HDC-6BU-SH-SPg29		29	115410015510		
	HDC-6BU-SH-SM24	24		115410015516		
	HDC-6BU-SH-SM30	30×2		115410015517		
	HDC-6BU-SH-SM33	33×2		115410015518		
HDC-6BU-SH-SM27	27×2		115410015521			
<b>Hoods</b> One side High structure Top entry  	HDC-6BU-SH-TM20	20		115410015504		
	HDC-6BU-SH-TM25	25		115410015505		
	HDC-6BU-SH-TM32	32		115410015506		
	HDC-6BU-SH-TPg13		13	115410015511		
	HDC-6BU-SH-TPg16		16	115410015512		
	HDC-6BU-SH-TPg21		21	115410015513		
	HDC-6BU-SH-TPg29		29	115410015514		
	HDC-6BU-SH-TM33	33×2		115410015515		
	HDC-6BU-SH-TM24	24		115410015519		
	HDC-6BU-SH-TM30	30×2		115410015520		
HDC-6BU-SH-TM27	27×2		115410015522			
HDC-6BU-SH-TM36	36		115410015523			

Upper Half Shell

Description	Type No.	Screw thread		Order No.	Drawing	Dimensions in mm
		M	Pg			
<b>Hoods</b> One side High structure Top/Side Double Entry 	HDC-6BU-SH-TM25+SM25	25	25	115410015524		
<b>Hoods</b> One side High structure No entry 	HDC-6BU-SH			115410015525		
<b>Hoods</b> One side Low structure Side entry 	HDC-6BU-SL-SM20	20		115410017701		
	HDC-6BU-SL-SM25	25		115410017702		
	HDC-6BU-SL-SPg11		11	115410017703		
	HDC-6BU-SL-SPg13.5		13.5	115410017704		
	HDC-6BU-SL-SPg16		16	115410017705		
<b>Hoods</b> One side Low structure Top entry 	HDC-6BU-SL-TM20	20		113010100785		
	HDC-6BU-SL-TM25	25		113010100908		

Description	Type No.	Screw thread		Order No.	Drawing	Dimensions in mm
		M	Pg			
<b>Hoods</b> One side High structure Side entry Black 	HDC-6BU-SH-X-SM20	20		115410024201		
	HDC-6BU-SH-X-SM24	24		115410024216		
	HDC-6BU-SH-X-SM25	25		115410024202		
	HDC-6BU-SH-X-SM32	32		115410024203		
	HDC-6BU-SH-X-SPg13		13	115410024207		
	HDC-6BU-SH-X-SPg16		16	115410024208		
	HDC-6BU-SH-X-SPg21		21	115410024209		
	HDC-6BU-SH-X-SPg29		29	115410024210		
	HDC-6BU-SH-X-SM27	27×2		115410024221		
	HDC-6BU-SH-X-SM30	30×2		115410024217		
	HDC-6BU-SH-X-SM33	33×2		115410024218		
<b>Hoods</b> One side High structure Top entry Black 	HDC-6BU-SH-X-TM20	20		115410024204		
	HDC-6BU-SH-X-TM24	24		115410024219		
	HDC-6BU-SH-X-TM25	25		115410024205		
	HDC-6BU-SH-X-TM32	32		115410024206		
	HDC-6BU-SH-X-TM36	36		115410024223		
	HDC-6BU-SH-X-TPg13		13	115410024211		
	HDC-6BU-SH-X-TPg16		16	115410024212		
	HDC-6BU-SH-X-TPg21		21	115410024213		
	HDC-6BU-SH-X-TPg29		29	115410024214		
	HDC-6BU-SH-X-TM27	27×2		115410024222		
	HDC-6BU-SH-X-TM30	30×2		115410024220		
HDC-6BU-SH-X-TM33	33×2		115410024215			
<b>Hoods</b> One side High structure Top entry Black 	HDC-6BU-SH-X-TM25+SM25	25+25		115410024224		

Upper Half Shell



Description	Type No.	Screw thread		Order No.	Drawing	Dimensions in mm
		M	Pg			
<b>Hoods</b> One side High structure Side entry EMC	HDC-6BU-SH-EMC-SM20	20		115410019601		
	HDC-6BU-SH-EMC-SM25	25		115410019602		
	HDC-6BU-SH-EMC-SM32	32		115410019603		
	HDC-6BU-SH-EMC-SPg13		13	115410019604		
	HDC-6BU-SH-EMC-SPg16		16	115410019605		
	HDC-6BU-SH-EMC-SPg21		21	115410019606		
	HDC-6BU-SH-EMC-SPg29		29	115410019607		
	HDC-6BU-SH-EMC-SM24	24		115410019608		
	HDC-6BU-SH-EMC-SM30	30×2		115410019609		
	HDC-6BU-SH-EMC-SM33	33×2		115410019610		
	HDC-6BU-SH-EMC-SM27	27×2		115410019611		
<b>Hoods</b> One side High structure Top entry EMC	HDC-6BU-SH-EMC-TM20	20		115410019612		
	HDC-6BU-SH-EMC-TM25	25		115410019613		
	HDC-6BU-SH-EMC-TM32	32		115410019614		
	HDC-6BU-SH-EMC-TPg13		13	115410019615		
	HDC-6BU-SH-EMC-TPg16		16	115410019616		
	HDC-6BU-SH-EMC-TPg19		19	115410019617		
	HDC-6BU-SH-EMC-TPg21		21	115410019618		
	HDC-6BU-SH-EMC-TM33	33×2		115410019619		
	HDC-6BU-SH-EMC-TM24	24		115410019620		
	HDC-6BU-SH-EMC-TM30	30×2		115410019621		
	HDC-6BU-SH-EMC-TM27	27×2		115410019622		
HDC-6BU-SH-EMC-TM36	36		115410019623			
<b>Hoods</b> One side High structure Side entry+ Top entry EMC	HDC-6BU-SH-EMC-TM25+SM25	25+25		115410019624		

Upper Half Shell

Shell / Series A

Shell / Series B

Shell / Series P

Hvac / Series D

Inserts / Series E

Inserts / Series M

Inserts / Series H

Inserts / Series Q

Inserts / Series K (Hyond)


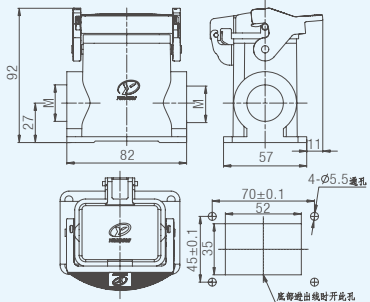

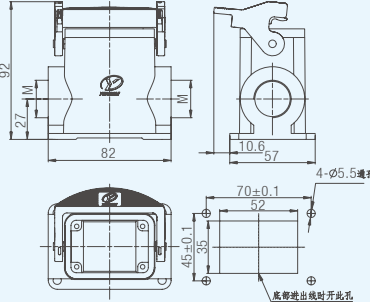
Inserts / Series C

Inserts / Anti-Open Circuit


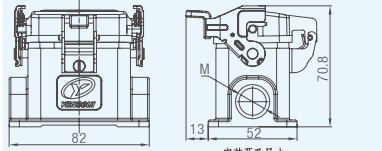
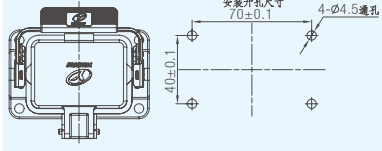

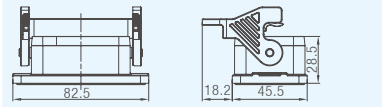
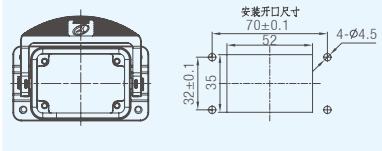
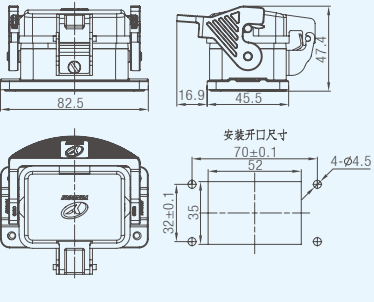
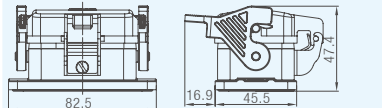
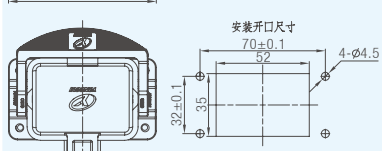

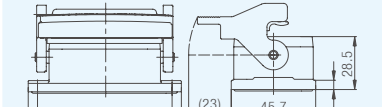
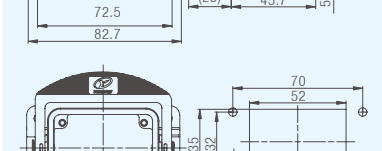
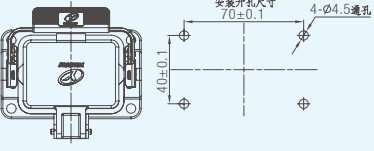
Accessory


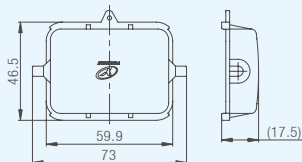

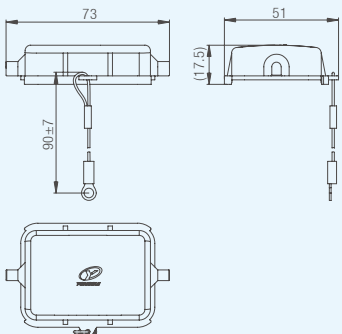

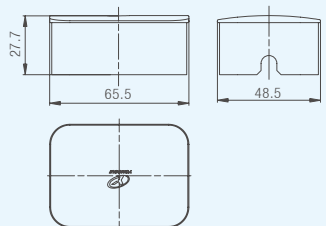
Description	Type No.	Screw thread		Order No.	Drawing	Dimensions in mm
		M	Pg			
Lower shell Lower Housing	<b>Housing</b> One side Low structure	HDC-6BL-SL			113010600550	
	<b>Housing</b> One side Low structure Metal handle	HDC-6BL-SL			113010600638	
	<b>Housing</b> One side Low structure with cocer	HDC-6BL-SL-MCV			113010600621	


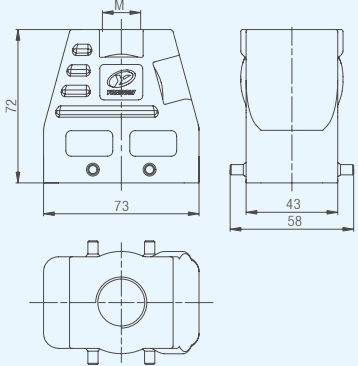

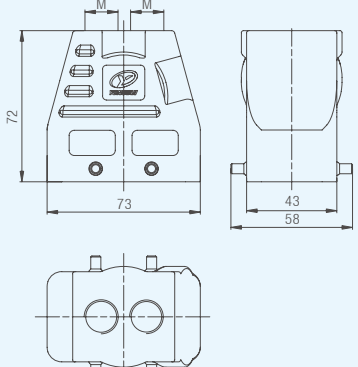

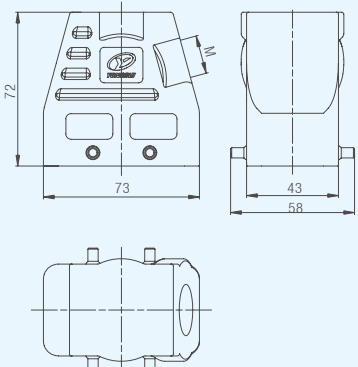
Shell / Series A  
 Shell / Series B  
 Shell / Series P  
 Inserts / Series D  
 Inserts / Series E  
 Inserts / Series M  
 Inserts / Series N  
 Inserts / Series Q  
 Inserts / Series K (Hybrid)  
 Inserts / Series C  
 Inserts / Anti-Open Circuit  
 Accessory


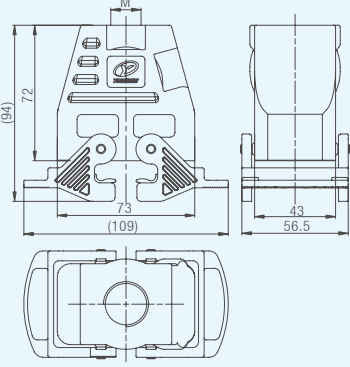

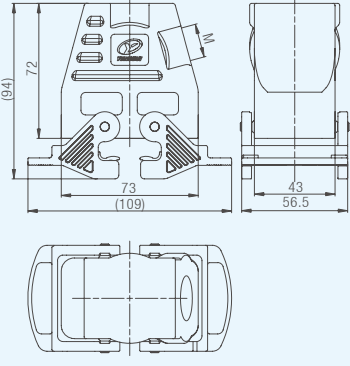

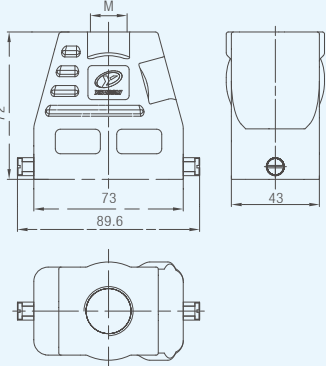
Description	Type No.	Screw thread		Order No.	Drawing	Dimensions in mm
		M	Pg			
<b>Housing</b> One side High structure with cober Side entry  	HDC-6BL-SH-0-MCV-SM20	20		115420019501		
	HDC-6BL-SH-0-MCV-SM25	25		115420019502		
	HDC-6BL-SH-0-MCV-SM32	32		115420019503		
	HDC-6BL-SH-0-MCV-SM24	24		115420019504		
	HDC-6BL-SH-0-MCV-SPg16		16	115420019505		
	HDC-6BL-SH-0-MCV-SPg21		21	115420019506		
	HDC-6BL-SH-0-MCV-SPg29		29	115420019507		
	HDC-6BL-SH-0-MCV-2SM20	2×20		115420019508		
	HDC-6BL-SH-0-MCV-2SM25	2×25		115420019509		
	HDC-6BL-SH-0-MCV-2SM32	2×32		115420019510		
	HDC-6BL-SH-0-MCV-2SPg16		2×16	115420019511		
	HDC-6BL-SH-0-MCV-2SPg21		2×21	115420019512		
	HDC-6BL-SH-0-MCV-2SPg29		2×29	115420019513		
	HDC-6BL-SH-0-MCV( 无 Side entry)			115420019514		
<b>Housing</b> One side High structure Side entry  	HDC-6BL-SH-0-SM20	20		115420020101		
	HDC-6BL-SH-0-SM25	25		115420020102		
	HDC-6BL-SH-0-SM32	32		115420020103		
	HDC-6BL-SH-0-2SM20	2×20		115420020104		
	HDC-6BL-SH-0-2SM25	2×25		115420020105		
	HDC-6BL-SH-0-2SM32	2×32		115420020106		
	HDC-6BL-SH-0-SPg16		16	115420020107		
	HDC-6BL-SH-0-SPg21		21	115420020108		
	HDC-6BL-SH-0-SPg29		29	115420020109		
	HDC-6BL-SH-0-2SPg16		2×16	115420020110		
	HDC-6BL-SH-0-2SPg21		2×21	115420020111		
	HDC-6BL-SH-0-2SPg29		2×29	115420020112		
	HDC-6BL-SH-0( 无 Side entry)			115420020113		

Lower shell Lower Housing

Description	Type No.	Screw thread		Order No.	Drawing	Dimensions in mm	
		M	Pg				
<b>Lower shell Lower Housing</b>  	<b>Housing</b> One side High structure with cocer Metal handle  	HDC-6BL-SL-C-MCV-SM20	20		115460026301		
	<b>Housing</b> One side Low structure Black  	HDC-6BL-SL-X				113010600732	
	<b>Housing</b> One side Low structure with cocer Black  	HDC-6BL-SL-X-MCV				113010600738	
	<b>Housing</b> One side Low structure EMC  	HDC-6BL-SL-EMC				113010600639	
	<b>Housing</b> One side Low structure Metal handle EMC  	HDC-6BL-SL-EMC				113010600640	
	<b>Housing</b> One side High structure with cocer Metal handle  	HDC-6BL-SL-C-MCV-2SM20	2×20			115460026302	


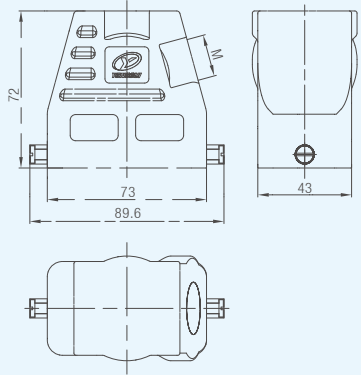

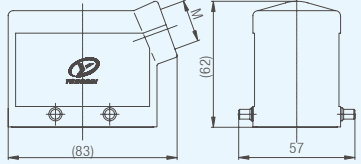

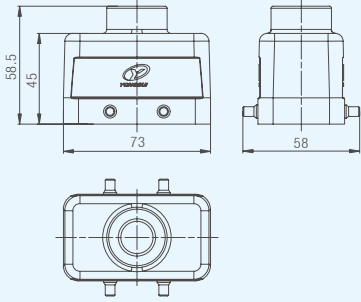

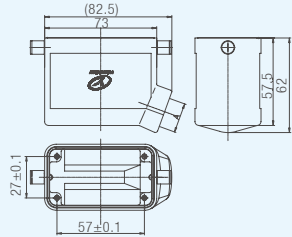
Description	Type No.	Screw thread		Order No.	Drawing	Dimensions in mm
		M	Pg			
Protective cover	<b>Plastic Protective cover</b> Socket end protection 	HDC-6B-PC-F			114060200533	
	<b>Plastic Protective cover</b> Socket end protection with nylon rope 	HDC-6B-PC-FS			113060200123	
	<b>Plastic Protective cover</b> Plug end protection 	HDC-6B-PC-M			114060100726	

Description	Type No.	Screw thread		Order No.	Drawing	Dimensions in mm
		M	Pg			
<b>Hoods</b> Double High structure Top entry 	HDC-10BU-DH-TM20	20		115410016101		
	HDC-10BU-DH-TM25	25		115410016102		
	HDC-10BU-DH-TM32	32		115410016103		
	HDC-10BU-DH-TPg16		16	115410016107		
	HDC-10BU-DH-TPg21		21	115410016108		
	HDC-10BU-DH-TPg29		29	115410016109		
	HDC-10BU-DH-TM33	33×2		115410016113		
	HDC-10BU-DH-TM30	30×2		115410016115		
	HDC-10BU-DH-TM36	36		115410016116		
HDC-10BU-DH-TM40	40		115410016118			
<b>Hoods</b> Double High structure Top entry Upper Half Shell 	HDC-10BU-DH-2TM20	2×20		115410016117		
<b>Hoods</b> Double High structure Side entry 	HDC-10BU-DH-SM20	20		115410016104		
	HDC-10BU-DH-SM25	25		115410016105		
	HDC-10BU-DH-SM32	32		115410016106		
	HDC-10BU-DH-SPg16		16	115410016110		
	HDC-10BU-DH-SPg21		21	115410016111		
	HDC-10BU-DH-SPg29		29	115410016112		
	HDC-10BU-DH-SM30	30×2		115410016114		

Description	Type No.	Screw thread		Order No.	Drawing	Dimensions in mm
		M	Pg			
<b>Hoods</b> Double High structure with handle Top entry 	HDC-10BU-DH-TM20	20		115410017401		
	HDC-10BU-DH-TM25	25		115410017402		
	HDC-10BU-DH-TM32	32		115410017403		
	HDC-10BU-DH-TPg16		16	115410017407		
	HDC-10BU-DH-TPg21		21	115410017408		
	HDC-10BU-DH-TPg29		29	115410017409		
	HDC-10BU-DH-TM30	30×2		115410017414		
	HDC-10BU-DH-TM33	33×2		115410017415		
<b>Hoods</b> Double High structure with handle Side entry 	HDC-10BU-DH-SM20	20		115410017404		
	HDC-10BU-DH-SM25	25		115410017405		
	HDC-10BU-DH-SM32	32		115410017406		
	HDC-10BU-DH-SPg16		16	115410017410		
	HDC-10BU-DH-SPg21		21	115410017411		
	HDC-10BU-DH-SPg29		29	115410017412		
	HDC-10BU-DH-SM30	30×2		115410017413		
<b>Hoods</b> One side High structure Top entry 	HDC-10BU-SH-TM20	20		115410016501		
	HDC-10BU-SH-TM25	25		115410016502		
	HDC-10BU-SH-TM32	32		115410016503		
	HDC-10BU-SH-TM36	36		115410016513		
	HDC-10BU-SH-TPg16		16	115410016507		
	HDC-10BU-SH-TPg21		21	115410016508		
	HDC-10BU-SH-TPg29		29	115410016509		


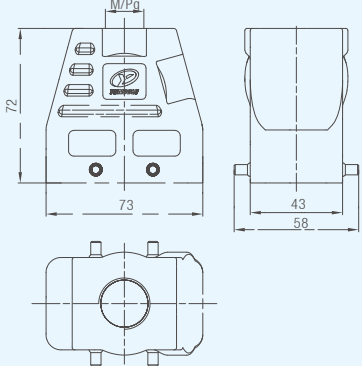

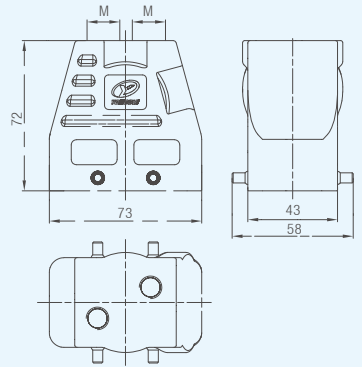

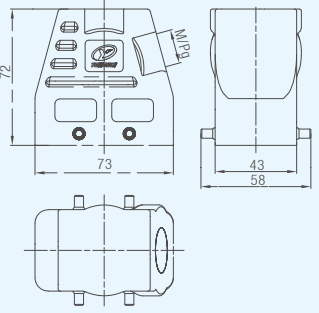
Upper Half Shell


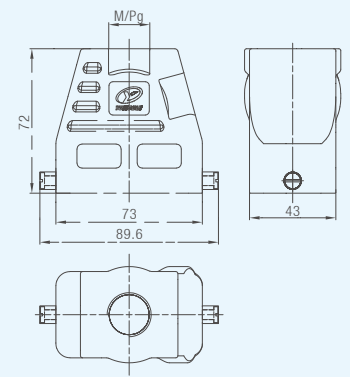

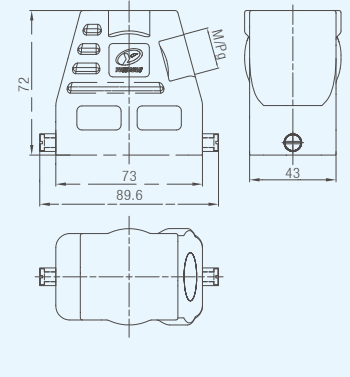

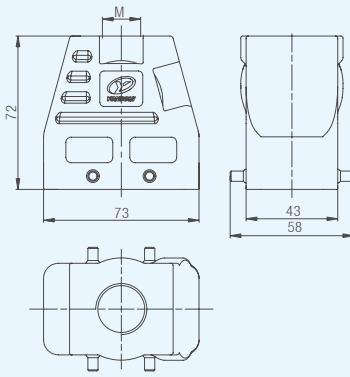
Shell / Series A  
 Shell / Series B  
 Shell / Series P  
 h / Series D  
 Inserts / Series E  
 Inserts / Series M  
 Inserts / Series H  
 Inserts / Series Q  
 Inserts / Series K (Hyond)  
 Inserts / Series C  
 Inserts / Anti-Open Circuit  
 Accessory

Description	Type No.	Screw thread		Order No.	Drawing	Dimensions in mm
		M	Pg			
<b>Hoods</b> One side High structure Side entry 	HDC-10BU-SH-SM20	20		115410016504		
	HDC-10BU-SH-SM25	25		115410016505		
	HDC-10BU-SH-SM32	32		115410016506		
	HDC-10BU-SH-SM36	36		115410016514		
	HDC-10BU-SH-SPg16		16	115410016510		
	HDC-10BU-SH-SPg21		21	115410016511		
	HDC-10BU-SH-SPg29		29	115410016512		
<b>Hoods</b> Double Low structure Side entry 	HDC-10BU-DL-SM20	20		115410016901		
	HDC-10BU-DL-SM25	25		115410016902		
	HDC-10BU-DL-SPg11		11	115410016903		
	HDC-10BU-DL-SPg13.5		13.5	115410016904		
	HDC-10BU-DL-SPg16		16	115410016905		
	HDC-10BU-DL(no entry)			115410016906		
<b>Hoods</b> Double Low structure Top entry 	HDC-10BU-DL-TM20	20		115410019301		
	HDC-10BU-DL-TM25	25		115410019302		
<b>Hoods</b> One side Low structure Side entry 	HDC-10BU-SL-SM20	20		115410018901		
	HDC-10BU-SL-SM25	25		115410018902		
	HDC-10BU-SL-SPg11		11	115410018903		
	HDC-10BU-SL-SPg13.5		13.5	115410018904		
	HDC-10BU-SL-SPg16		16	115410018905		


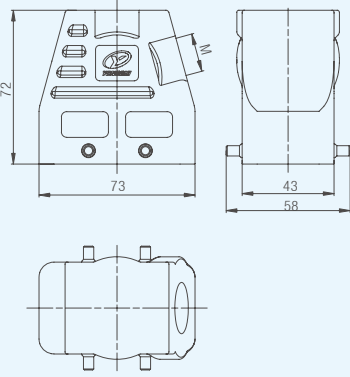

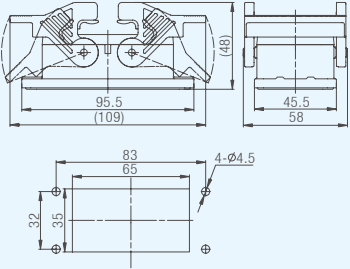
Upper Half Shell


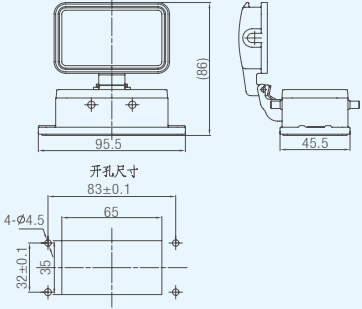

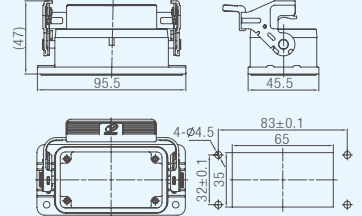

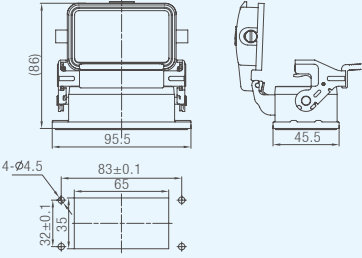

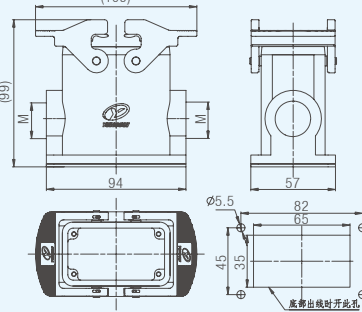



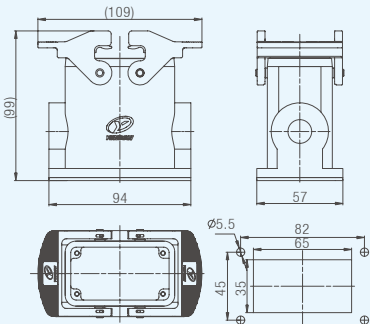

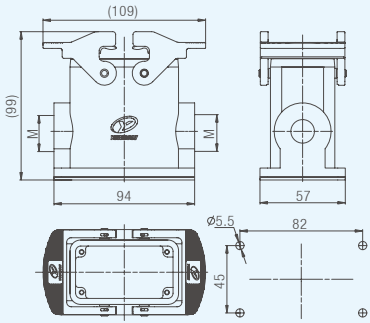

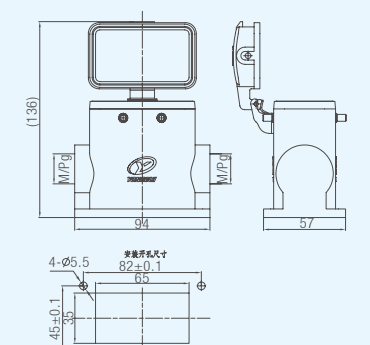
Description	Type No.	Screw thread		Order No.	Drawing	Dimensions in mm
		M	Pg			
<b>Hoods</b> Double High structure Top entry Black 	HDC-10BU-DH-X-TM20	20		115410024601		
	HDC-10BU-DH-X-TM25	25		115410024602		
	HDC-10BU-DH-X-TM32	32		115410024603		
	HDC-10BU-DH-X-TPg16		16	115410024607		
	HDC-10BU-DH-X-TPg21		21	115410024608		
	HDC-10BU-DH-X-TPg29		29	115410024609		
	HDC-10BU-DH-X-TM33	33×2		115410024613		
	HDC-10BU-DH-X-TM30	30×2		115410024615		
	HDC-10BU-DH-X-TM36	36×2		115410024616		
HDC-10BU-DH-X-TM40	40		115410024618			
<b>Upper Half Shell</b> <b>Hoods</b> Double High structure Double Top entry Black 	HDC-10BU-DH-X-2TM20	2×20		115410024617		
<b>Hoods</b> Double High structure Side entry Black 	HDC-10BU-DH-X-SM20	20		115410024604		
	HDC-10BU-DH-X-SM25	25		115410024605		
	HDC-10BU-DH-X-SM32	32		115410024606		
	HDC-10BU-DH-X-SPg16		16	115410024610		
	HDC-10BU-DH-X-SPg21		21	115410024611		
	HDC-10BU-DH-X-SPg29		29	115410024612		
	HDC-10BU-DH-X-SM30	30×2		115410024614		
	HDC-10BU-DH-X-SM40	40		115410024619		

Description	Type No.	Screw thread		Order No.	Drawing	Dimensions in mm
		M	Pg			
<b>Hoods</b> One side High structure Top entry Black 	HDC-10BU-SH-X-TM20	20		115410024801		
	HDC-10BU-SH-X-TM25	25		115410024802		
	HDC-10BU-SH-X-TM32	32		115410024803		
	HDC-10BU-SH-X-TPg16		16	115410024807		
	HDC-10BU-SH-X-TPg21		21	115410024808		
	HDC-10BU-SH-X-TPg29		29	115410024809		
	HDC-10BU-SH-X-TM36	36		115410024813		
<b>Hoods</b> One side High structure Side entry Black 	HDC-10BU-SH-X-SM20	20		115410024804		
	HDC-10BU-SH-X-SM25	25		115410024805		
	HDC-10BU-SH-X-SM32	32		115410024806		
	HDC-10BU-SH-X-SPg16		16	115410024810		
	HDC-10BU-SH-X-SPg21		21	115410024811		
	HDC-10BU-SH-X-SPg29		29	115410024812		
	HDC-10BU-SH-X-SM36	36		115410024814		
<b>Hoods</b> Double High structure Top entry EMC 	HDC-10BU-DH-EMC-TM20	20		115410019701		
	HDC-10BU-DH-EMC-TM25	25		115410019702		
	HDC-10BU-DH-EMC-TM32	32		115410019703		
	HDC-10BU-DH-EMC-TPg16		16	115410019704		
	HDC-10BU-DH-EMC-TPg21		21	115410019705		
	HDC-10BU-DH-EMC-TPg29		29	115410019706		
	HDC-10BU-DH-EMC-TM33	33×2		115410019707		
	HDC-10BU-DH-EMC-TM30	30×2		115410019708		
	HDC-10BU-DH-EMC-TM36	36		115410019709		

Upper Half Shell


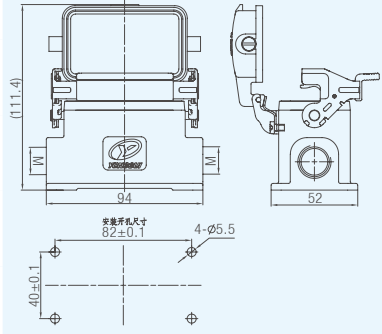

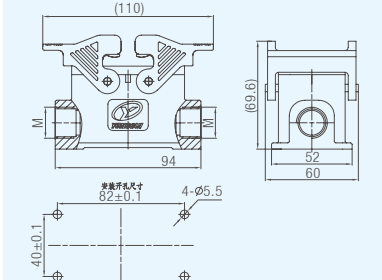
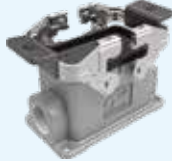
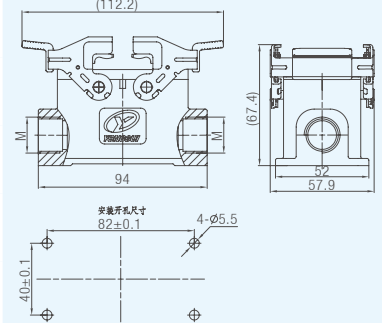

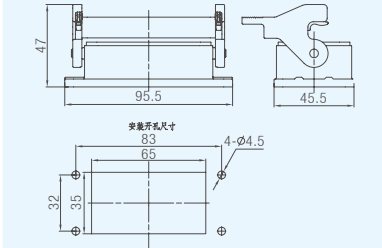

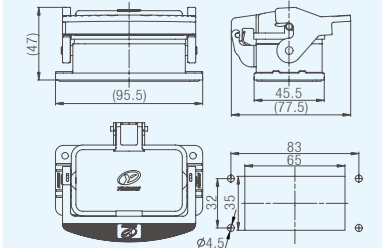
Description	Type No.	Screw thread		Order No.	Drawing	Dimensions in mm
		M	Pg			
<b>Upper Half Shell</b> 	<b>Hoods</b> Double High structure Side entry EMC	HDC-10BU-DH-EMC-SM20	20		115410019710	
		HDC-10BU-DH-EMC-SM25	25		115410019711	
		HDC-10BU-DH-EMC-SM32	32		115410019712	
		HDC-10BU-DH-EMC-SPg16		16	115410019713	
		HDC-10BU-DH-EMC-SPg21		21	115410019714	
		HDC-10BU-DH-EMC-SPg29		29	115410019715	
		HDC-10BU-DH-EMC-SM30	30×2		115410019716	
<b>Lower shell Lower Housing</b> 	<b>Housing</b> Double Low structure	HDC-10BL-DL			113010600562	
	<b>Housing</b> Double Low structure Metal handle	HDC-10BL-DL			113010600644	
	<b>Housing</b> One side Low structure	HDC-10BL-SL			113010600584	
	<b>Housing</b> One side Low structure with cocer	HDC-10BL-SL-MCV			113010600585	

Description	Type No.	Screw thread		Order No.	Drawing	Dimensions in mm
		M	Pg			
Lower shell Lower Housing	<b>Housing</b> Double Low structure with cocer 	HDC-10BL-DL-MCV			113010600624	
	<b>Housing</b> One side Low structure Metal handle 	HDC-10BL-SL			113010600741	
	<b>Housing</b> One side Low structure Metal handle with cocer 	HDC-10BL-SL-MCV			113010600742	
	<b>Housing</b> Double High structure Open back cover Side entry 	HDC-10BL-DH-O-SM20	20		115420017901	
		HDC-10BL-DH-O-SM25	25		115420017902	
		HDC-10BL-DH-O-SM32	32		115420017903	
		HDC-10BL-DH-O-2SM20	2×20		115420017904	
		HDC-10BL-DH-O-2SM25	2×25		115420017905	
		HDC-10BL-DH-O-2SM32	2×32		115420017906	
		HDC-10BL-DH-O-SPg16		16	115420017907	
	HDC-10BL-DH-O-SPg21		21	115420017908		
	HDC-10BL-DH-O-SPg29		29	115420017909		
	HDC-10BL-DH-O-2SPg16		2×16	115420017910		
	HDC-10BL-DH-O-2SPg21		2×21	115420017911		
	HDC-10BL-DH-O-2SPg29		2×29	115420017912		

Description	Type No.	Screw thread		Order No.	Drawing	Dimensions in mm	
		M	Pg				
<b>Housing</b> Double High structure Open back cover No Side entry 	HDC-10BL-DH-0			115420017913			
	<b>Housing</b> Double High structure Back cover Side entry 	HDC-10BL-DH-C-SM20	20		115420018001		
		HDC-10BL-DH-C-SM25	25		115420018002		
		HDC-10BL-DH-C-SM32	32		115420018003		
		HDC-10BL-DH-C-2SM20	2×20		115420018004		
		HDC-10BL-DH-C-2SM25	2×25		115420018005		
		HDC-10BL-DH-C-2SM32	2×32		115420018006		
		HDC-10BL-DH-C-SPg16		16	115420018007		
		HDC-10BL-DH-C-SPg21		21	115420018008		
		HDC-10BL-DH-C-SPg29		29	115420018009		
		HDC-10BL-DH-C-2SPg16		2×16	115420018010		
	HDC-10BL-DH-C-2SPg21		2×21	115420018011			
HDC-10BL-DH-C-2SPg29		2×29	115420018012				
<b>Housing</b> Double High structure with cover 	HDC-10BL-DH-C-MCV-SM20	20		115420019601			
	HDC-10BL-DH-C-MCV-SM25	25		115420019602			
	HDC-10BL-DH-C-MCV-SM32	32		115420019603			
	HDC-10BL-DH-C-MCV-SPg16		16	115420019604			
	HDC-10BL-DH-C-MCV-SPg21		21	115420019605			
	HDC-10BL-DH-C-MCV-SPg29		29	115420019606			
	HDC-10BL-DH-C-MCV-2SM20	2×20		115420019607			
	HDC-10BL-DH-C-MCV-2SM25	2×25		115420019608			
	HDC-10BL-DH-C-MCV-2SM32	2×32		115420019609			
	HDC-10BL-DH-C-MCV-2SPg16		2×16	115420019610			
HDC-10BL-DH-C-MCV-2SPg21		2×21	115420019611				
HDC-10BL-DH-C-MCV-2SPg29		2×29	115420019612				

Lower shell Lower Housing


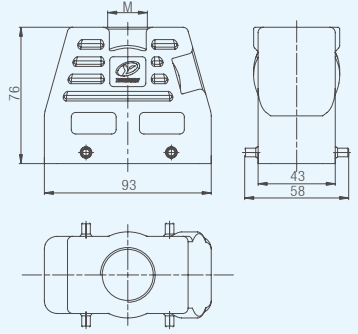

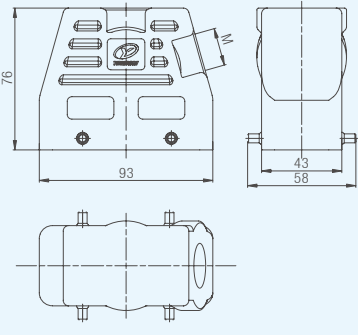
Shell / Series A  
 Shell / Series B  
 Shell / Series P  
 HSD / Series D  
 Inserts / Series E  
 Inserts / Series M  
 Inserts / Series H  
 Inserts / Series Q  
 Inserts / Series K (Hyond)  
 Inserts / Series C  
 Inserts / Anti-Open Circuit  
 Accessory

Description	Type No.	Screw thread		Order No.	Drawing	Dimensions in mm
		M	Pg			
<b>Housing</b> One side High structure Metal handle with cover 	HDC-10BL-SL-C-MCV-SM20	20		115460026401		
	HDC-10BL-SL-C-MCV-SM25	25		115460026402		
	HDC-10BL-SL-C-MCV-2SM20	2×20		115460026403		
	HDC-10BL-SL-C-MCV-2SM25	2×25		115460026404		
	HDC-10BL-SL-C-MCV-SM20+SM25	20+25		115460026405		
<b>Housing</b> Double High structure Plastic handle 	HDC-10BL-DL-C-SM20	20		115420024701		
	HDC-10BL-DL-C-SM25	25		115420024702		
	HDC-10BL-DL-C-2SM20	2×20		115420024703		
	HDC-10BL-DL-C-2SM25	2×25		115420024704		
	HDC-10B-DL-C-SM20+SM25	20+25		115420024705		
<b>Housing</b> Double High structure Metal handle 	HDC-10BL-DL-C-SM20	20		115420025001		
	HDC-10BL-DL-C-SM25	25		115420025002		
	HDC-10BL-DL-C-2SM20	2×20		115420025003		
	HDC-10BL-DL-C-2SM25	2×25		115420025004		
	HDC-10B-DL-C-SM20+SM25	20+25		115420025005		
<b>Housing</b> One side Low structure Plastic handle Black 	HDC-10BL-SL-X			113010600736		
<b>Housing</b> One side Low structure Plastic handle with cover Black 	HDC-10BL-SL-X-MCV			113010600802		

Lower shell Lower Housing

Description	Type No.	Screw thread		Order No.	Drawing	Dimensions in mm
		M	Pg			
<b>Lower shell Lower Housing</b> 	<b>Housing</b> Double Low structure Plastic handle Black HDC-10BL-DL-X			113010600733		
	<b>Housing</b> Double Low structure EMC HDC-10BL-DL-EMC			113010600645		
	<b>Housing</b> Double Low structure Metal handle EMC HDC-10BL-DL-EMC			113010600646		
<b>Protective cover</b> 	<b>Plastic Protective cover</b> Socket end protection HDC-10B-PC-F			114060200528		
	<b>Plastic Protective cover</b> Socket end protection with nylon rope HDC-10B-PC-FS			113060200121		
	<b>Plastic Protective cover</b> Plug end protection HDC-10B-PC-M			114060100727		

Shell / Series A  
 Shell / Series B  
 Shell / Series P  
 Shell / Series D  
 Inserts / Series E  
 Inserts / Series M  
 Inserts / Series H  
 Inserts / Series Q  
 Inserts / Series K (Hybrid)  
 Inserts / Series C  
 Inserts / Anti-Open Circuit  
 Accessory

Description	Type No.	Screw thread		Order No.	Drawing	Dimensions in mm
		M	Pg			
<b>Hoods</b> Double High structure Top entry 	HDC-16BU-DH-TM20	20		115410016202		
	HDC-16BU-DH-TM25	25		115410016203		
	HDC-16BU-DH-TM32	32		115410016204		
	HDC-16BU-DH-TM40	40		115410016205		
	HDC-16BU-DH-TPg16		16	115410016206		
	HDC-16BU-DH-TPg21		21	115410016207		
	HDC-16BU-DH-TPg29		29	115410016208		
	HDC-16BU-DH-TM24	24×2		115410016209		
	HDC-16BU-DH-TM27	27×2		115410016210		
	HDC-16BU-DH-TM30	30×2		115410016211		
	HDC-16BU-DH-TM33	33×2		115410016212		
	HDC-16BU-DH-TM36	36×2		115410016213		
<b>Hoods</b> Double High structure Side entry 	HDC-16BU-DH-SM20	20		115410016214		
	HDC-16BU-DH-SM25	25		115410016215		
	HDC-16BU-DH-SM32	32		115410016216		
	HDC-16BU-DH-SM40	40		115410016217		
	HDC-16BU-DH-SPg16		16	115410016218		
	HDC-16BU-DH-SPg21		21	115410016219		
	HDC-16BU-DH-SPg29		29	115410016220		
	HDC-16BU-DH-SM24	24		115410016221		
	HDC-16BU-DH-SM27	27×2		115410016222		
	HDC-16BU-DH-SM30	30×2		115410016223		
	HDC-16BU-DH-SM33	33×2		115410016224		
	HDC-16BU-DH-SM36	36×2		115410016225		


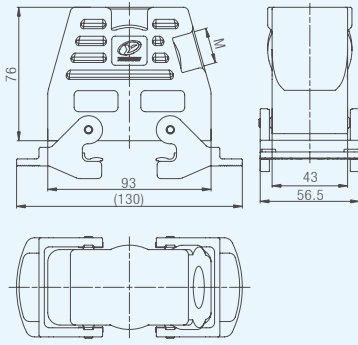

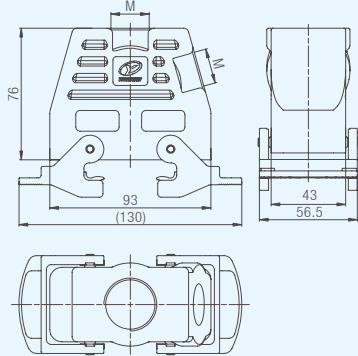

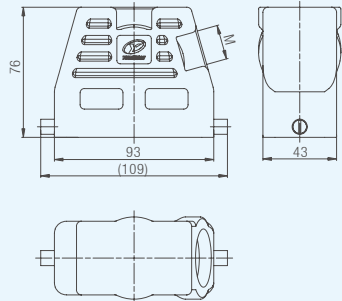



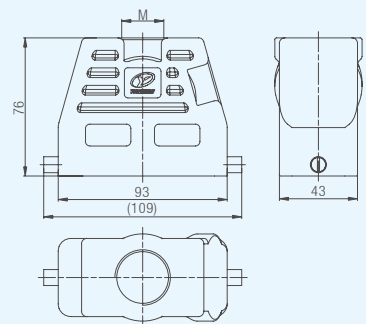

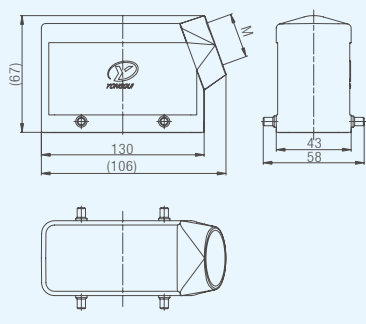

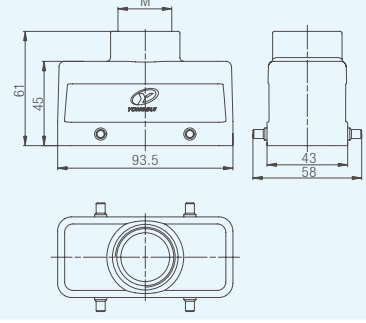

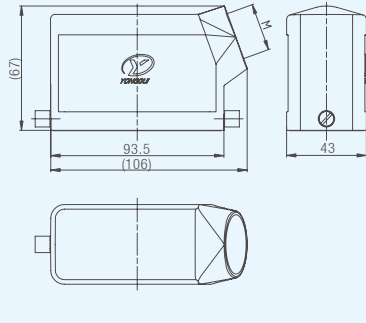
Description	Type No.	Screw thread		Order No.	Drawing	Dimensions in mm
		M	Pg			
Upper Half Shell	<b>Hoods</b> Double High structure Top/Side Double Entry	HDC-16BU-DH-TM32+SM32	32+32		115410016226	
		HDC-16BU-DH-TM40+SM40	40+40		115410016227	
	<b>Hoods</b> Double High structure Double Top entry	HDC-16BU-DH-2TM25	2×25		115410016228	
		HDC-16BU-DH-TM20+TM25	20+25		115410016229	
		HDC-16BU-DH-TM20+TM32	20+32		115410016230	
	<b>Hoods</b> High structure Top entry	HDC-16BU-DH-II-2TM32	2×32		115410023601	
		HDC-16BU-DH-II-TM32+TM25	32+25		115410023602	
		HDC-16BU-DH-II-TM32+TM20	32+20		115410023603	
		HDC-16BU-DH-II-2TM25	2×25		115410023604	
		HDC-16BU-DH-II-TM20+TM25	20+25		115410023605	
<b>Hoods</b> Double High structure Top entry Grey	HDC-16BU-DH- III -TM40	40		115410023801		
	HDC-16BU-DH- III -TM50	50		115410023802		

Shell / Series A  
Shell / Series B  
Shell / Series P  
H / Series D  
Inerts / Series E  
Inerts / Series M  
Inerts / Series H  
Inerts / Series Q  
Inerts / Series K (Hydrol)  
Inerts / Series C  
Inerts / Anti-Open Circuit  
Accessory


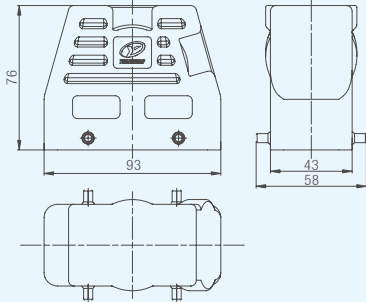
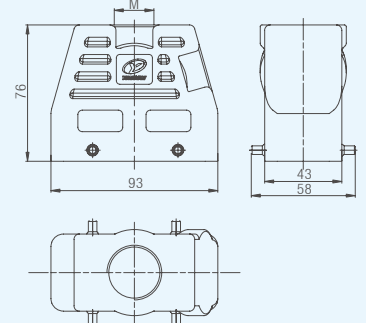

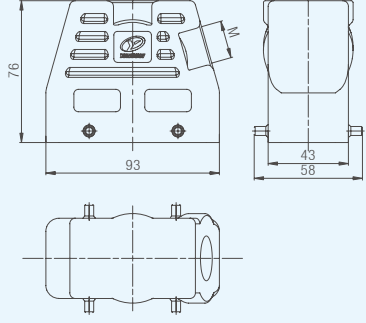
Description	Type No.	Screw thread		Order No.	Drawing	Dimensions in mm
		M	Pg			
<b>Hoods</b> Double High structure Side entry Grey	HDC-16BU-DH- III -SM40	40		115410023803		
	HDC-16BU-DH- III -SM50	50		115410023804		
	<b>Hoods</b> Double High structure No top/Side entry	HDC-16BU-DH				115410016201
<b>Hoods</b> Double High structure Top entry with handle	HDC-16BU-DH-TM20	20		115410017301		
	HDC-16BU-DH-TM25	25		115410017302		
	HDC-16BU-DH-TM32	32		115410017303		
	HDC-16BU-DH-TM40	40		115410017304		
	HDC-16BU-DH-TPg16		16	115410017305		
	HDC-16BU-DH-TPg21		21	115410017306		
	HDC-16BU-DH-TPg29		29	115410017307		
	HDC-16BU-DH-TM24	24		115410017308		
	HDC-16BU-DH-TM27	27×2		115410017309		
	HDC-16BU-DH-TM30	30×2		115410017310		
	HDC-16BU-DH-TM33	33×2		115410017311		
HDC-16BU-DH-TM36	36×2		115410017312			

Upper Half Shell

Description	Type No.	Screw thread		Order No.	Drawing	Dimensions in mm
		M	Pg			
<b>Hoods</b> Double High structure Side entry with handle  	HDC-16BU-DH-SM20	20		115410017313		
	HDC-16BU-DH-SM25	25		115410017314		
	HDC-16BU-DH-SM32	32		115410017315		
	HDC-16BU-DH-SM40	40		115410017316		
	HDC-16BU-DH-SPg16		16	115410017317		
	HDC-16BU-DH-SPg21		21	115410017318		
	HDC-16BU-DH-SPg29		29	115410017319		
	HDC-16BU-DH-SM24	24		115410017320		
	HDC-16BU-DH-SM27	27×2		115410017321		
	HDC-16BU-DH-SM30	30×2		115410017322		
	HDC-16BU-DH-SM33	33×2		115410017323		
	HDC-16BU-DH-SM36	36×2		115410017324		
<b>Hoods</b> Double High structure Top/Side Double Entry with handle  	HDC-16BU-DH-TM40+SM40	40+40		115410017325		
<b>Hoods</b> One side High structure Side entry  	HDC-16BU-SH-SM20	20		115410017901		
	HDC-16BU-SH-SM25	25		115410017902		
	HDC-16BU-SH-SM32	32		115410017903		
	HDC-16BU-SH-SM40	40		115410017904		
	HDC-16BU-SH-SPg16		16	115410017905		
	HDC-16BU-SH-SPg21		21	115410017906		
	HDC-16BU-SH-SPg29		29	115410017907		

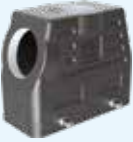
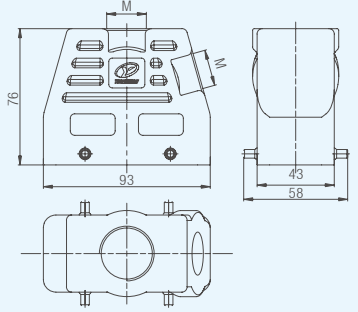

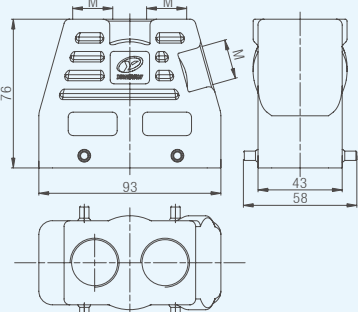

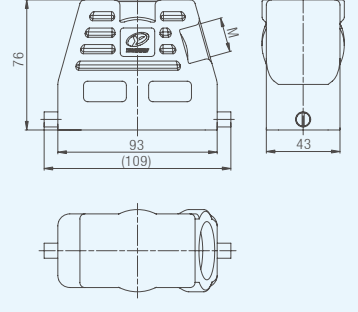

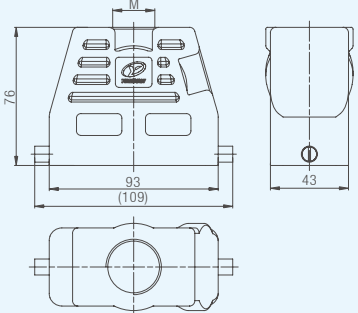
Description	Type No.	Screw thread		Order No.	Drawing	Dimensions in mm
		M	Pg			
<b>Hoods</b> One side High structure Top entry 	HDC-16BU-SH-TM20	20		115410017908		
	HDC-16BU-SH-TM25	25		115410017909		
	HDC-16BU-SH-TM32	32		115410017910		
	HDC-16BU-SH-TM40	40		115410017911		
	HDC-16BU-SH-TPg16		16	115410017912		
	HDC-16BU-SH-TPg21		21	115410017913		
	HDC-16BU-SH-TPg29		29	115410017914		
<b>Hoods</b> Double Low structure Side entry 	HDC-16BU-DL-SM20	20		115410017201		
	HDC-16BU-DL-SM25	25		115410017202		
	HDC-16BU-DL-SM32	32		115410017203		
	HDC-16BU-DL-SPg11		11	115410017204		
	HDC-16BU-DL-SPg13.5		13.5	115410017205		
	HDC-16BU-DL-SPg16		16	115410017206		
	HDC-16BU-DL-SPg21		21	115410017207		
<b>Hoods</b> Double Low structure Top entry 	HDC-16BU-DL-TM25	25		115410019101		
	HDC-16BU-DL-TM32	32		115410019102		
<b>Hoods</b> One side Low structure Side entry 	HDC-16BU-SL-SM20	20		115410019001		
	HDC-16BU-SL-SM25	25		115410019002		
	HDC-16BU-SL-SM32	32		115410019003		
	HDC-16BU-SL-SPg11		11	115410019004		
	HDC-16BU-SL-SPg13		13	115410019005		
	HDC-16BU-SL-SPg16		16	115410019006		
HDC-16BU-SL-SPg21		21	115410019007			

Upper Half Shell

Description	Type No.	Screw thread		Order No.	Drawing	Dimensions in mm
		M	Pg			
<b>Hoods</b> Double High structure No top / Side entry Black 	HDC-16BU-DH-X			115410025001		
	HDC-16BU-DH-X-TM20	20		115410025002		
	HDC-16BU-DH-X-TM25	25		115410025003		
	HDC-16BU-DH-X-TM32	32		115410025004		
	HDC-16BU-DH-X-TM40	40		115410025005		
	HDC-16BU-DH-X-TPg16		16	115410025006		
	HDC-16BU-DH-X-TPg21		21	115410025007		
	HDC-16BU-DH-X-TPg29		29	115410025008		
	HDC-16BU-DH-X-TM24	24×2		115410025009		
	HDC-16BU-DH-X-TM27	27×2		115410025010		
	HDC-16BU-DH-X-TM30	30×2		115410025011		
	HDC-16BU-DH-X-TM33	33×2		115410025012		
	HDC-16BU-DH-X-TM36	36×2		115410025013		
<b>Hoods</b> Double High structure Side entry Black 	HDC-16BU-DH-X-SM20	20		115410025014		
	HDC-16BU-DH-X-SM25	25		115410025015		
	HDC-16BU-DH-X-SM32	32		115410025016		
	HDC-16BU-DH-X-SM40	40		115410025017		
	HDC-16BU-DH-X-SPg16		16	115410025018		
	HDC-16BU-DH-X-SPg21		21	115410025019		
	HDC-16BU-DH-X-SPg29		29	115410025020		
	HDC-16BU-DH-X-SM24	24×2		115410025021		
	HDC-16BU-DH-X-SM27	27×2		115410025022		
	HDC-16BU-DH-X-SM30	30×2		115410025023		
	HDC-16BU-DH-X-SM33	33×2		115410025024		
	HDC-16BU-DH-X-SM36	36×2		115410025025		

Upper Half Shell

Shell / Series A  
 Shell / Series B  
 Shell / Series P  
 Insert / Series D  
 Insert / Series E  
 Insert / Series M  
 Insert / Series H  
 Insert / Series Q  
 Insert / Series K (Hybrid)  
 Insert / Series C  
 Insert / Anti-Open Circuit  
 Accessory

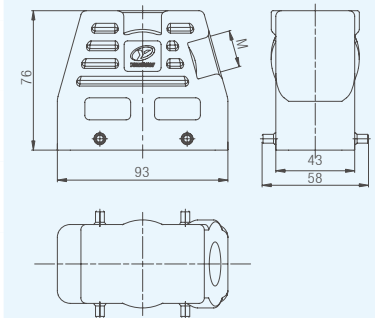
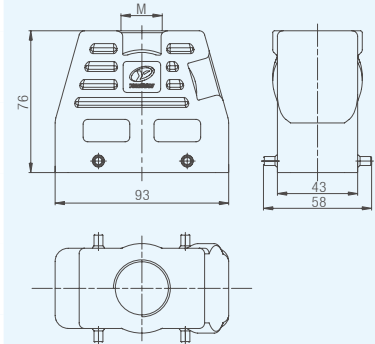
Description	Type No.	Screw thread		Order No.	Drawing	Dimensions in mm
		M	Pg			
<b>Hoods</b> Double High structure Top/side double entry Black 	HDC-16BU-DH-X-TM32+SM32	32+32		115410025026		
	HDC-16BU-DH-X-TM40+SM40	40+40		115410025027		
<b>Hoods</b> Double High structure Double Top entry Black 	HDC-16BU-DH-X-2TM25	2 × 25		115410025028		
	HDC-16BU-DH-X-TM20+TM25	20+25		115410025029		
	HDC-16BU-DH-X-TM20+TM32	20+32		115410025030		
<b>Hoods</b> One side High structure Side entry Black 	HDC-16BU-SH-X-SM20	20		115410027901		
	HDC-16BU-SH-X-SM25	25		115410027902		
	HDC-16BU-SH-X-SM32	32		115410027903		
	HDC-16BU-SH-X-SM40	40		115410027904		
	HDC-16BU-SH-X-SPg16	16		115410027905		
	HDC-16BU-SH-X-SPg21	21		115410027906		
	HDC-16BU-SH-X-SPg29	29		115410027907		
	HDC-16BU-SH-X-TM20	20		115410027908		
	HDC-16BU-SH-X-TM25	25		115410027909		
	HDC-16BU-SH-X-TM32	32		115410027910		
<b>Hoods</b> One side High structure Top entry Black 	HDC-16BU-SH-X-TM40	40		115410027911		
	HDC-16BU-SH-X-TPg16	16		115410027912		
	HDC-16BU-SH-X-TPg21	21		115410027913		
	HDC-16BU-SH-X-TPg29	29		115410027914		

Upper Half Shell

Description	Type No.	Screw thread		Order No.	Drawing	Dimensions in mm
		M	Pg			
Upper Half Shell	<b>Hoods</b> One side High structure No top / Side entry Black	HDC-16BU-SH-X			115410027915	
	<b>Hoods</b> Double Low structure Top entry Black	HDC-16BU-DL-X-TM25	25		115410025101	
	<b>Hoods</b> Double Low structure Top entry Black	HDC-16BU-DL-X-TM32	32		115410025102	
	<b>Hoods</b> Double High structure Top entry Black	HDC-16BU-DH- III -X-TM40	40		115410025601	
	<b>Hoods</b> Double High structure Top entry Black	HDC-16BU-DH- III -X-TM50	50		115410025602	
<b>Hoods</b> Double High structure Side entry Black	HDC-16BU-DH- III -X-SM40	40		115410025603		
<b>Hoods</b> Double High structure Side entry Black	HDC-16BU-DH- III -X-SM50	50		115410025604		

Description	Type No.	Screw thread		Order No.	Drawing	Dimensions in mm
		M	Pg			
<b>Hoods</b> Double High structure Top entry EMC	HDC-16BU-DH-EMC-TM20	20		115410019801		
	HDC-16BU-DH-EMC-TM25	25		115410019802		
	HDC-16BU-DH-EMC-TM32	32		115410019803		
	HDC-16BU-DH-EMC-TM40	40		115410019804		
	HDC-16BU-DH-EMC-TPg16		16	115410019805		
	HDC-16BU-DH-EMC-TPg21		21	115410019806		
	HDC-16BU-DH-EMC-TPg29		29	115410019807		
	HDC-16BU-DH-EMC-TM24	24×2		115410019808		
	HDC-16BU-DH-EMC-TM27	27×2		115410019809		
	HDC-16BU-DH-EMC-TM30	30×2		115410019810		
	HDC-16BU-DH-EMC-TM33	33×2		115410019811		
	HDC-16BU-DH-EMC-TM36	36×2		115410019812		
<b>Hoods</b> Double High structure Side entry EMC	HDC-16BU-DH-EMC-SM20	20		115410019813		
	HDC-16BU-DH-EMC-SM25	25		115410019814		
	HDC-16BU-DH-EMC-SM32	32		115410019815		
	HDC-16BU-DH-EMC-SM40	40		115410019816		
	HDC-16BU-DH-EMC-SPg16		16	115410019817		
	HDC-16BU-DH-EMC-SPg21		21	115410019818		
	HDC-16BU-DH-EMC-SPg29		29	115410019819		
	HDC-16BU-DH-EMC-SM24	24		115410019820		
	HDC-16BU-DH-EMC-SM27	27×2		115410019821		
	HDC-16BU-DH-EMC-SM30	30×2		115410019822		
	HDC-16BU-DH-EMC-SM33	33×2		115410019823		
	HDC-16BU-DH-EMC-SM36	36×2		115410019824		

Upper Half Shell





Description	Type No.	Screw thread		Order No.	Drawing	Dimensions in mm
		M	Pg			
Upper Half Shell	<b>Hoods</b> Double High structure EMC	HDC-16BU-DH-EMC-TM32+SM32	32+32	115410019825		
		HDC-16BU-DH-EMC-TM40+SM40	40+40	115410019826		
		HDC-16BU-DH-EMC-TM32+SM25	32+25	115410019828		
		<b>Hoods</b> High structure Top entry	HDC-16BU-DH-II-EMC-2TM32	2×32	115410025701	
			HDC-16BU-DH-II-EMC-TM32+TM25	32+25	115410025702	
			HDC-16BU-DH-II-EMC-TM32+TM20	32+20	115410025703	
			HDC-16BU-DH-II-EMC-2TM25	2×25	115410025704	
			HDC-16BU-DH-II-EMC-TM20+TM25	20+25	115410025705	
	Lower shell Lower Housing	<b>Housing</b> Double Low structure	HDC-16BL-DL		113010600564	
<b>Housing</b> Double Low structure Metal handle		HDC-16BL-DL		113010600642		
<b>Housing</b> One side Low structure		HDC-16BL-SL		113010600606		

Description	Type No.	Screw thread		Order No.	Drawing	Dimensions in mm
		M	Pg			
<b>Housing</b> One side Low structure Metal handle	HDC-16BL-SL			113010600745		
<b>Housing</b> One side Low structure with cocer	HDC-16BL-SL-MCV			113010600625		
<b>Housing</b> One side Low structure Metal handle with cocer	HDC-16BL-SL-MCV			113010600746		
<b>Housing</b> with cocer	HDC-16BL-DL-MCV			113010600626		

Lower shell Lower Housing

Shell / Series A

Shell / Series B

Shell / Series P

Inserts / Series D

Inserts / Series E

Inserts / Series M

Inserts / Series H


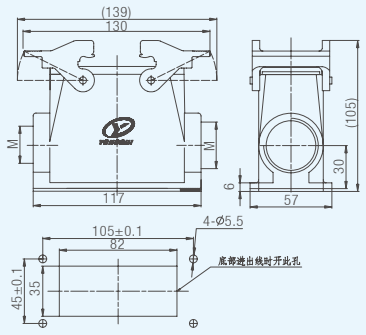

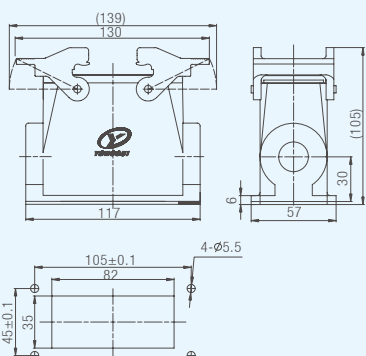
Inserts / Series Q

Inserts / Series K (Hybrid)

Inserts / Series C

Inserts / Anti-Open Circuit

Accessory

Description	Type No.	Screw thread		Order No.	Drawing	Dimensions in mm
		M	Pg			
<b>Housing</b> Double High structure Open back cover Side entry  	HDC-16BL-DH-0-SM25	25		115420018201		
	HDC-16BL-DH-0-SM32	32		115420018202		
	HDC-16BL-DH-0-SM40	40		115420018203		
	HDC-16BL-DH-0-SPg16		16	115420018207		
	HDC-16BL-DH-0-SPg21		21	115420018208		
	HDC-16BL-DH-0-SPg29		29	115420018209		
	HDC-16BL-DH-0-2SM25	2×25		115420018204		
	HDC-16BL-DH-0-2SM32	2×32		115420018205		
	HDC-16BL-DH-0-2SM40	2×40		115420018206		
	HDC-16BL-DH-0-2SPg16		2×16	115420018210		
	HDC-16BL-DH-0-2SPg21		2×21	115420018211		
	HDC-16BL-DH-0-2SPg29		2×29	115420018212		
<b>Housing</b> Double High structure Open back cover No Side entry  	HDC-16BL-DH-0			115420018213		

Lower shell Lower Housing

Shell / Series A

Shell / Series B

Shell / Series P

HSD / Series D

Inserts / Series E

Inserts / Series M

Inserts / Series H


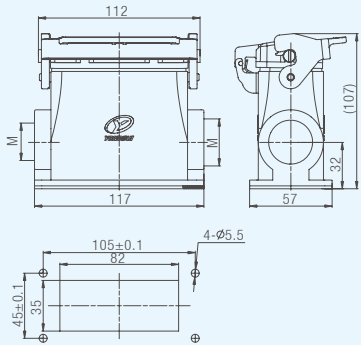

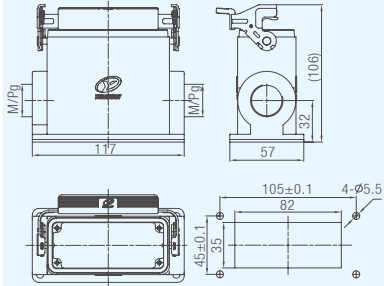
Inserts / Series Q


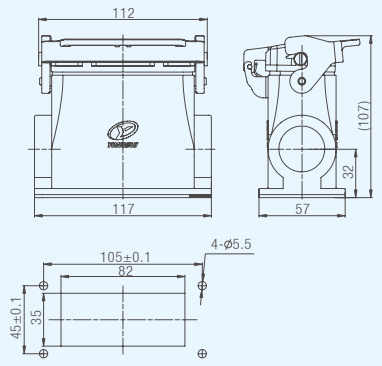

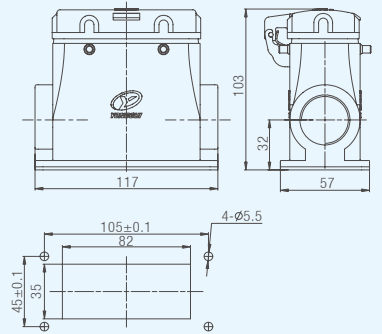
Inserts / Series K (Hybrid)

Inserts / Series C


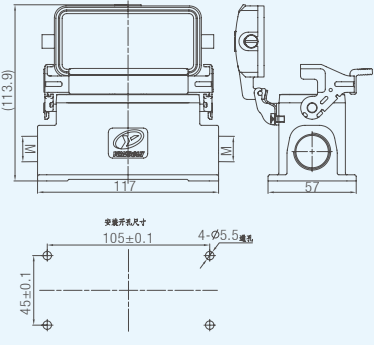

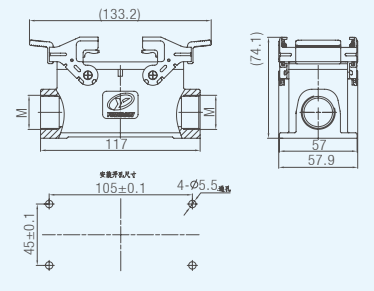

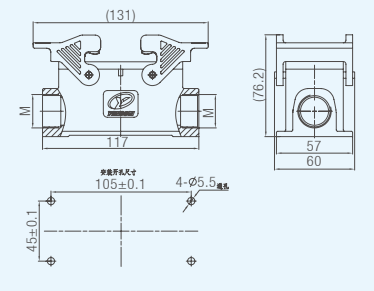

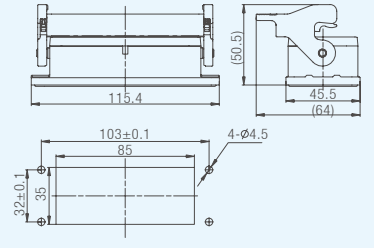

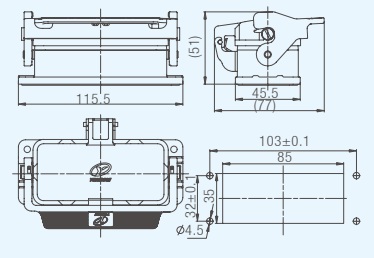
Inserts / Anti-Open Circuit

Accessory


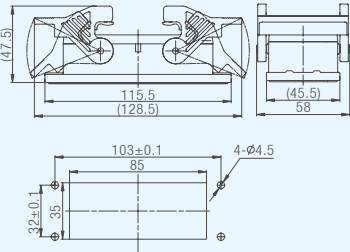
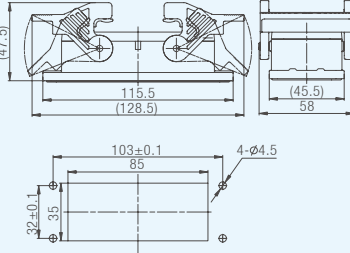
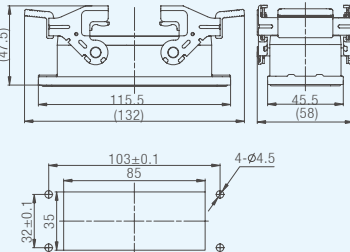

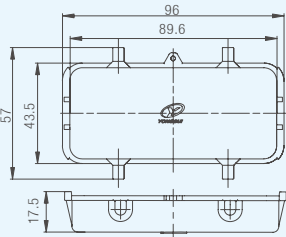
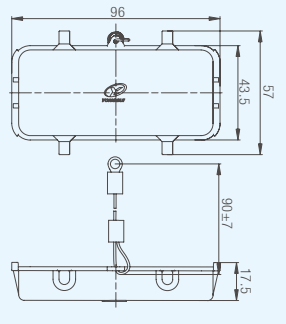
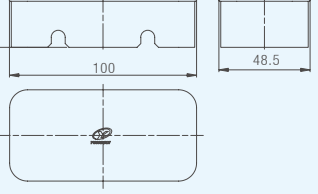
Description	Type No.	Screw thread		Order No.	Drawing	Dimensions in mm
		M	Pg			
<b>Housing</b> One side High structure Open back cover with cocer Side entry 	HDC-16BL-SH-0-MCV-SM25	25		115420019701		
	HDC-16BL-SH-0-MCV-SM27	27		115420019702		
	HDC-16BL-SH-0-MCV-SM32	32		115420019703		
	HDC-16BL-SH-0-MCV-SM40	40		115420019704		
	HDC-16BL-SH-0-MCV-SPg16		16	115420019705		
	HDC-16BL-SH-0-MCV-SPg21		21	115420019706		
	HDC-16BL-SH-0-MCV-SPg29		29	115420019707		
	HDC-16BL-SH-0-MCV-2SM25	2×25		115420019708		
	HDC-16BL-SH-0-MCV-2SM32	2×32		115420019709		
	HDC-16BL-SH-0-MCV-2SM40	2×40		115420019710		
	HDC-16BL-SH-0-MCV-2SPg16		2×16	115420019711		
	HDC-16BL-SH-0-MCV-2SPg21		2×21	115420019712		
	HDC-16BL-SH-0-MCV-2SPg29		2×29	115420019713		
<b>Housing</b> One side High structure Open back cover Side entry 	HDC-16BL-SH-0-SM25	25		115420023401		
	HDC-16BL-SH-0-SM32	32		115420023402		
	HDC-16BL-SH-0-SM40	40		115420023403		
	HDC-16BL-SH-0-2SM25	2×25		115420023404		
	HDC-16BL-SH-0-2SM32	2×32		115420023405		
	HDC-16BL-SH-0-2SM40	2×40		115420023406		
	HDC-16BL-SH-0-SPg16		16	115420023407		
	HDC-16BL-SH-0-SPg21		21	115420023408		
	HDC-16BL-SH-0-SPg29		29	115420023409		
	HDC-16BL-SH-0-2SPg16		2×16	115420023410		
	HDC-16BL-SH-0-2SPg21		2×21	115420023411		
	HDC-16BL-SH-0-2SPg29		2×29	115420023412		
	HDC-16BL-SH-0			115420023413		

Description	Type No.	Screw thread		Order No.	Drawing	Dimensions in mm
		M	Pg			
<p><b>Housing</b> One side High structure Open back cover with cocer No Side entry</p> 	HDC-16BL-SH-0-MCV			115420019714		
	<p><b>Housing</b> Double High structure Open back cover with cocer Side entry</p> 	HDC-16BL-DH-0-MCV-SM25	25		115420019801	
		HDC-16BL-DH-0-MCV-SM27	27		115420019802	
		HDC-16BL-DH-0-MCV-SM32	32		115420019803	
		HDC-16BL-DH-0-MCV-SM40	40		115420019804	
		HDC-16BL-DH-0-MCV-SPg16		16	115420019805	
		HDC-16BL-DH-0-MCV-SPg21		21	115420019806	
		HDC-16BL-DH-0-MCV-SPg29		29	115420019807	
		HDC-16BL-DH-0-MCV-2SM25	2 × 25		115420019808	
		HDC-16BL-DH-0-MCV-2SM32	2 × 32		115420019809	
		HDC-16BL-DH-0-MCV-2SM40	2 × 40		115420019810	
		HDC-16BL-DH-0-MCV-2SPg16		2 × 16	115420019811	
		HDC-16BL-DH-0-MCV-2SPg21		2 × 21	115420019812	
HDC-16BL-DH-0-MCV-2SPg29		2 × 29	115420019813			
HDC-16BL-DH-0-MCV(不开孔)			115420019814			


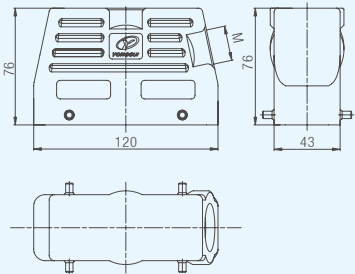

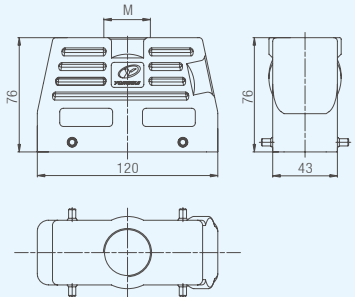

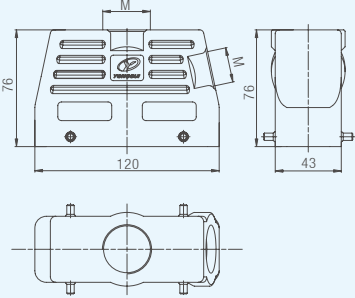

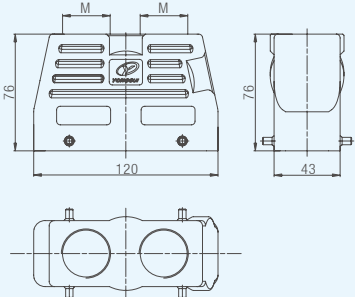
Lower shell Lower Housing

Description	Type No.	Screw thread		Order No.	Drawing	Dimensions in mm
		M	Pg			
<b>Housing</b> One side High structure Metal handle with cocer 	HDC-16BL-SL-C-MCV-SM20	20		115460026501		
	HDC-16BL-SL-C-MCV-SM25	25		115460026502		
	HDC-16BL-SL-C-MCV-2SM20	2×20		115460026503		
	HDC-16BL-SL-C-MCV-2SM25	2×25		115460026504		
	HDC-16BL-SL-C-MCV-SM20+SM25	20+25		115460026505		
<b>Housing</b> Double High structure Metal handle 	HDC-16BL-DL-C-SM20	20		115420025101		
	HDC-16BL-DL-C-SM25	25		115420025102		
	HDC-16BL-DL-C-2SM20	2×20		115420025103		
	HDC-16BL-DL-C-2SM25	2×25		115420025104		
	HDC-16BL-DL-C-SM20+SM25	20+25		115420025105		
<b>Housing</b> Double High structure Plastic handle 	HDC-16BL-DL-C-SM20	20		115420024801		
	HDC-16BL-DL-C-SM25	25		115420024802		
	HDC-16BL-DL-C-2SM20	2×20		115420024803		
	HDC-16BL-DL-C-2SM25	2×25		115420024804		
	HDC-16BL-DL-C-SM20+SM25	20+25		115420024805		
<b>Housing</b> One side Low structure Black 	HDC-16BL-SL-X			113010600737		
<b>Housing</b> One side Low structure with cocer Black 	HDC-16BL-SL-X-MCV			113010600801		

Lower shell Lower Housing


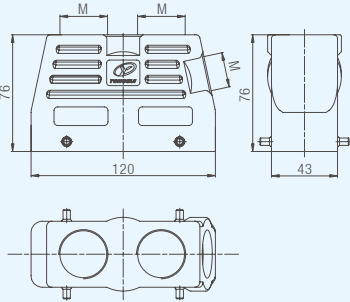

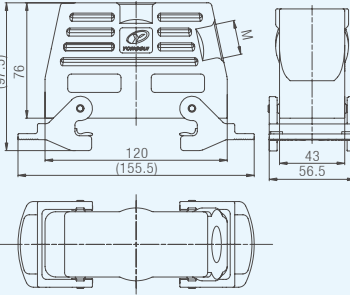

Description	Type No.	Screw thread		Order No.	Drawing	Dimensions in mm
		M	Pg			
<b>Lower shell Lower Housing</b> 	<b>Housing</b> Double Low structure Black  HDC-16BL-DL-X			113010600734		(47.5) 115.5 (128.5) (45.5) 58 103±0.1 85 4-φ4.5 32±0.1 35
	<b>Housing</b> Double Low structure EMC  HDC-16BL-DL-EMC			113010600641		(47.5) 115.5 (128.5) (45.5) 58 103±0.1 85 4-φ4.5 32±0.1 35
	<b>Housing</b> Double Low structure EMC Metal handle  HDC-16BL-DL-EMC			113010600643		(47.5) 115.5 (132) (45.5) (58) 103±0.1 85 4-φ4.5 32±0.1 35
<b>Protective cover</b> 	<b>Plastic Protective cover</b> Socket end protection  HDC-16B-PC-F			114060200532		96 89.6 57 43.5 17.5
	<b>Plastic Protective cover</b> Socket end protection with nylon rope  HDC-16B-PC-FS			113060200122		96 89.6 57 43.5 90±7 17.5
	<b>Plastic Protective cover</b> Plug end protection  HDC-16B-PC-M			114060100450		27.8 100 48.5

Shell / Series A  
 Shell / Series B  
 Shell / Series P  
 HSA / Series D  
 Inserts / Series E  
 Inserts / Series M  
 Inserts / Series H  
 Inserts / Series Q  
 Inserts / Series K (Hyond)  
 Inserts / Series C  
 Inserts / Anti-Open Circuit  
 Accessory


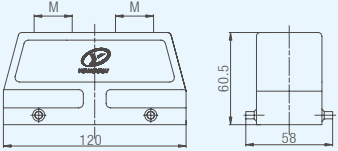

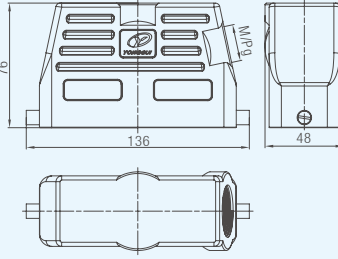

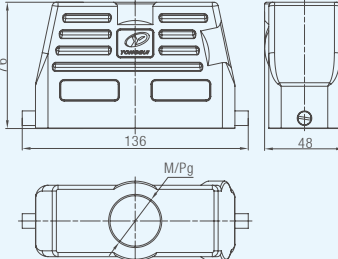

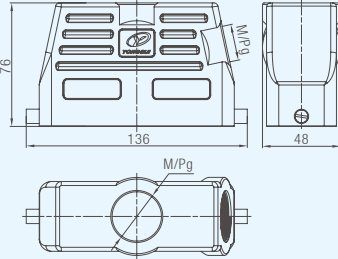
Description	Type No.	Screw thread		Order No.	Drawing	Dimensions in mm
		M	Pg			
<b>Hoods</b> Double High structure Side entry 	HDC-24BU-DH-SM25	25		115410015201		
	HDC-24BU-DH-SM32	32		115410015202		
	HDC-24BU-DH-SM40	40		115410015203		
	HDC-24BU-DH-SPg16		16			115410015207
	HDC-24BU-DH-SPg21		21			115410015208
	HDC-24BU-DH-SPg29		29			115410015209
	HDC-24BU-DH-SM36	36×2				115410015215
<b>Hoods</b> Double High structure Top entry 	HDC-24BU-DH-TM25	25		115410015204		
	HDC-24BU-DH-TM32	32		115410015205		
	HDC-24BU-DH-TM40	40		115410015206		
	HDC-24BU-DH-TPg16		16			115410015210
	HDC-24BU-DH-TPg21		21			115410015211
	HDC-24BU-DH-TPg29		29			115410015212
	HDC-24BU-DH-TM36	36×2				115410015216
<b>Hoods</b> Double High structure Top/Side Double Entry 	HDC-24BU-DH-TM40+SM40	40+40		115410015213		
	HDC-24BU-DH-TM40+SM32	40+32		115410015214		
<b>Hoods</b> Double High structure Double Top entry 	HDC-24BU-DH-TM25+TM40	25+40		115410015217		
	HDC-24BU-DH-TM25+TM32	25+32		115410015220		
	HDC-24BU-DH-2TM32	2×32		115410015218		
	HDC-24BU-DH-2TM25	2×25		115410015222		

Upper Half Shell


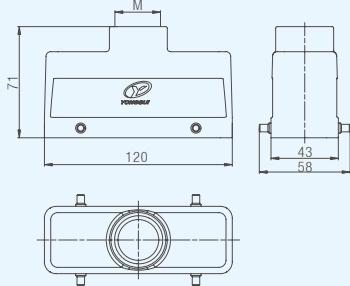

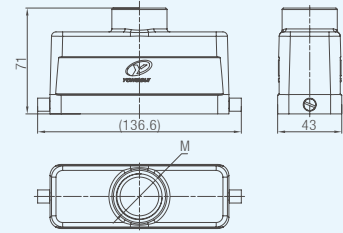

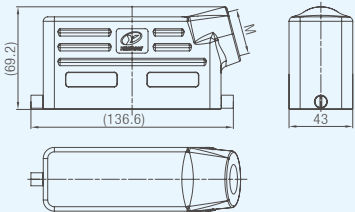



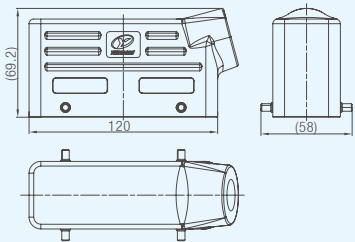



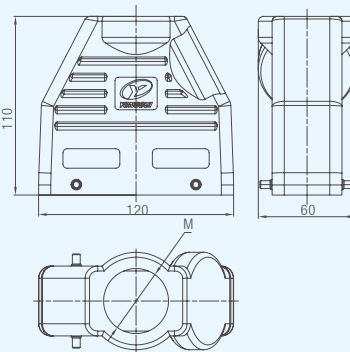




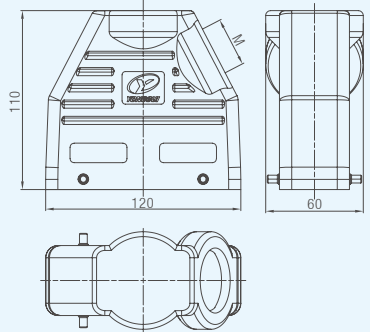

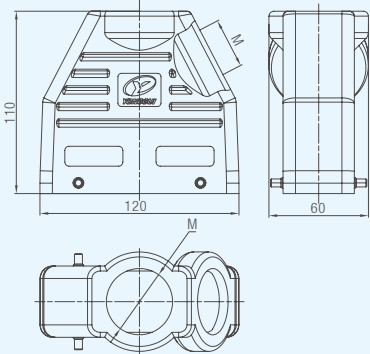

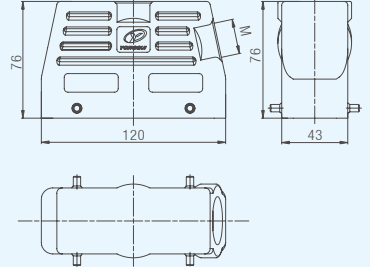

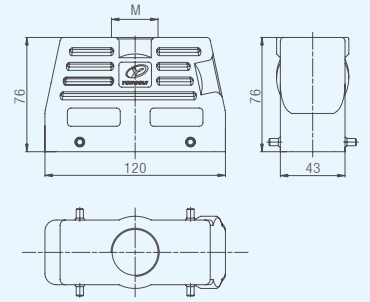
Description	Type No.	Screw thread		Order No.	Drawing	Dimensions in mm
		M	Pg			
Upper Half Shell	<b>Hoods</b> Double High structure Double Top entry+Side entry 	HDC-24BU-DH-2TM25+SM25	2 × 25 +25		115410015221	
	<b>Hoods</b> Double High structure Side entry with handle 	HDC-24BU-DH-SM25	25		115410017501	
		HDC-24BU-DH-SM32	32		115410017502	
		HDC-24BU-DH-SM40	40		115410017503	
		HDC-24BU-DH-SPg16		16	115410017507	
		HDC-24BU-DH-SPg21		21	115410017508	
		HDC-24BU-DH-SPg29		29	115410017509	
	<b>Hoods</b> Double High structure Top entry with handle 	HDC-24BU-DH-SM36	36 × 2		115410017515	
		HDC-24BU-DH-TM25	25		115410017504	
		HDC-24BU-DH-TM32	32		115410017505	
HDC-24BU-DH-TM40		40		115410017506		
HDC-24BU-DH-TPg16			16	115410017510		
HDC-24BU-DH-TPg21			21	115410017511		
HDC-24BU-DH-TPg29		29	115410017512			
HDC-24BU-DH-TM36	36 × 2		115410017516			

Description	Type No.	Screw thread		Order No.	Drawing	Dimensions in mm
		M	Pg			
<b>Hoods</b> Double High structure Top/Side Double Entry with handle	HDC-24BU-DH-TM40+SM40	40+40		115410017513		
	HDC-24BU-DH-TM32+SM32	32+32		115410017514		
Upper Half Shell	<b>Hoods</b> Double Middle structure Side entry	HDC-24BU-DM-SM20	20		115410017601	
	HDC-24BU-DM-SM25	25		115410017602		
	HDC-24BU-DM-SM32	32		115410017603		
	HDC-24BU-DM-SPg16		16	115410017607		
	HDC-24BU-DM-SPg21		21	115410017608		
	HDC-24BU-DM-SPg29		29	115410017609		
	<b>Hoods</b> Double Middle structure Top entry	HDC-24BU-DM-TM20	20		115410017604	
	HDC-24BU-DM-TM25	25		115410017605		
	HDC-24BU-DM-TM32	32		115410017606		
	HDC-24BU-DM-TPg16		16	115410017610		
HDC-24BU-DM-TPg21		21	115410017611			
HDC-24BU-DM-TPg29		29	115410017612			
HDC-24BU-DM-TM36	36×2		115410017613			
<b>Hoods</b> Double Middle structure No top/Side entry	HDC-24BU-DM			115410017614		

Description	Type No.	Screw thread		Order No.	Drawing	Dimensions in mm
		M	Pg			
Upper Half Shell	<b>Hoods</b> Double Middle structure Double Top entry 	HDC-24BU-DM-2TM32	2	32	115410017615	
	<b>Hoods</b> One side High structure Side entry 	HDC-24BU-SH-SM25	25		115410018001	
		HDC-24BU-SH-SM32	32		115410018002	
		HDC-24BU-SH-SM40	40		115410018003	
		HDC-24BU-SH-SPg16		16	115410018007	
		HDC-24BU-SH-SPg21		21	115410018008	
		HDC-24BU-SH-SPg29		29	115410018009	
	<b>Hoods</b> One side High structure Top entry 	HDC-24BU-SH-TM25	25		115410018004	
		HDC-24BU-SH-TM32	32		115410018005	
		HDC-24BU-SH-TM40	40		115410018006	
		HDC-24BU-SH-TPg16		16	115410018010	
		HDC-24BU-SH-TPg21		21	115410018011	
		HDC-24BU-SH-TPg29		29	115410018012	
<b>Hoods</b> One side High structure Top entry+Side entry 	HDC-24BU-SH-TM40+SM40	40+40		115410018013		
	HDC-24BU-SH-TM32+SM32	32+32		115410018014		

Shell / Series A  
 Shell / Series B  
 Shell / Series P  
 HSD / Series D  
 Inserts / Series E  
 Inserts / Series M  
 Inserts / Series H  
 Inserts / Series Q  
 Inserts / Series K (Hyond)  
 Inserts / Series C  
 Inserts / Anti-Open Circuit  
 Accessory

Description	Type No.	Screw thread		Order No.	Drawing	Dimensions in mm
		M	Pg			
Upper Half Shell	<b>Hoods</b> Double Low structure Top entry 	HDC-24BU-DL-TM32	32		113010100813	
	<b>Hoods</b> One side Low structure Top entry 	HDC-24BU-SL-TM32	32		113010100931	
	<b>Hoods</b> One side Low structure Side entry 	HDC-24BU-SL-SM20	20		115410027401	
		HDC-24BU-SL-SM25	25		115410027402	
		HDC-24BU-SL-SM32	32		115410027403	
	<b>Hoods</b> Double Low structure Side entry 	HDC-24BU-DL-SM20	20		115410027601	
		HDC-24BU-DL-SM25	25		115410027602	
	HDC-24BU-DL-SM32	32		115410027603		
<b>Hoods</b> Double High structure Top entry 	HDC-24BU-DH- II -TM40	40		115410023301		
	HDC-24BU-DH- II -TM50	50		115410023302		

Description	Type No.	Screw thread		Order No.	Drawing	Dimensions in mm
		M	Pg			
<b>Hoods</b> Double High structure Side entry 	HDC-24BU-DH- II -SM40	40		115410023303		
	HDC-24BU-DH- II -SM50	50		115410023304		
<b>Hoods</b> Double High structure Top entry+Side entry 	HDC-24BU-DH- II - TM40+SM40	40+40		115410023305		
	HDC-24BU-DH- II - TM50+SM20	50+20		115410023306		
<b>Hoods</b> Double High structure Side entry Black 	HDC-24BU-DH-X-SM25	25		115410025201		
	HDC-24BU-DH-X-SM32	32		115410025202		
	HDC-24BU-DH-X-SM40	40		115410025203		
	HDC-24BU-DH-X-SPg16		16	115410025207		
	HDC-24BU-DH-X-SPg21		21	115410025208		
	HDC-24BU-DH-X-SPg29		29	115410025209		
	HDC-24BU-DH-X-SM36	36 × 2		115410025215		
<b>Hoods</b> Double High structure Top entry Black 	HDC-24BU-DH-X-TM25	25		115410025204		
	HDC-24BU-DH-X-TM32	32		115410025205		
	HDC-24BU-DH-X-TM40	40		115410025206		
	HDC-24BU-DH-X-TPg16		16	115410025210		
	HDC-24BU-DH-X-TPg21		21	115410025211		
	HDC-24BU-DH-X-TPg29		29	115410025212		
	HDC-24BU-DH-X-TM36	36 × 2		115410025216		

Upper Half Shell

Shell / Series A

Shell / Series B

Shell / Series P

H / Series D

Inserts / Series E

Inserts / Series M

Inserts / Series H


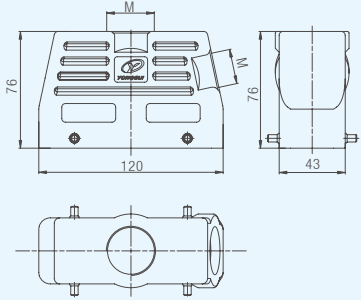
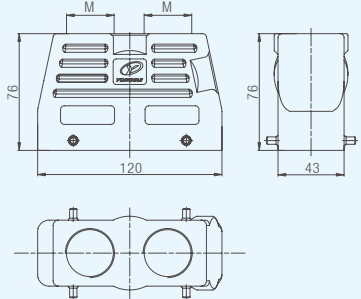
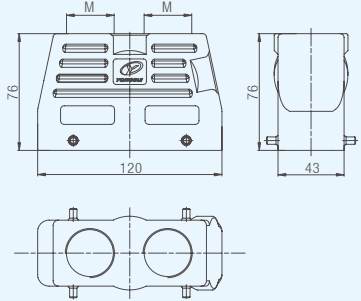
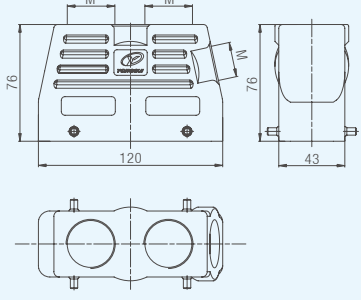
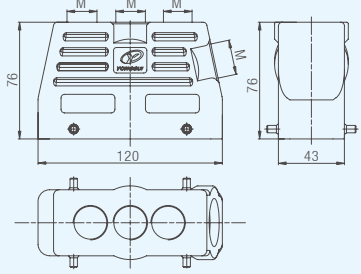

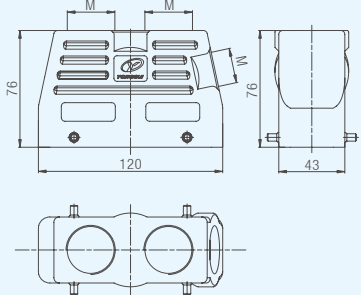

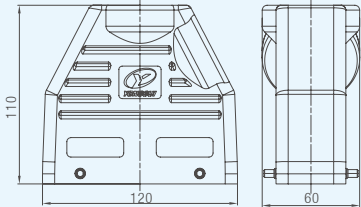
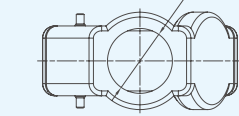
Inserts / Series Q


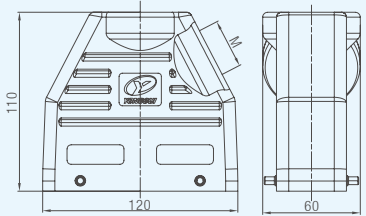

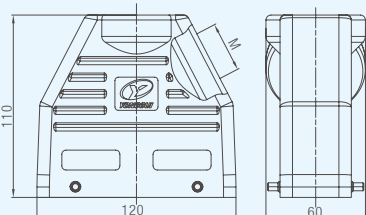

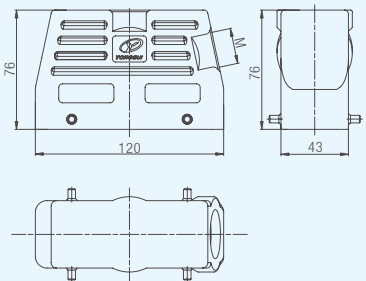

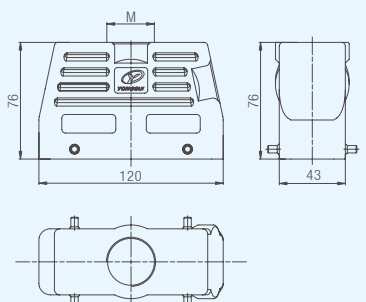
Inserts / Series K (Hyond)

Inserts / Series C

Inserts / Anti-Open Circuit

Accessory

Description	Type No.	Screw thread		Order No.	Drawing	Dimensions in mm	
		M	Pg				
<b>Hoods</b> Double High structure Top/side double entry Black 	HDC-24BU-DH-X-TM40+SM40	40+40		115410025213			
	HDC-24BU-DH-X-TM32+SM32	32+32		115410025214			
	<b>Hoods</b> Double High structure Double Top entry Black 	HDC-24BU-DH-X-TM25+TM40	25+40		115410025217		
		HDC-24BU-DH-X-2TM32	2×32		115410025218		
		HDC-24BU-DH-X-TM25+TM32	25+32		115410025220		
		HDC-24BU-DH-X-2TM25	2×25		115410025222		
HDC-24BU-DH-X-TM32+TM40	32+40		115410025223				
<b>Upper Half Shell</b> <b>Hoods</b> Double High structure Three Top entry Black 	HDC-24BU-DH-X-3TM25	3×25		115410025219			
	<b>Hoods</b> Double High structure Double Top entry + Side entry Black 	HDC-24BU-DH-X-2TM25+SM25	2×25 +25		115410025221		
		<b>Hoods</b> Double High structure Top entry 	HDC-24BU-DH- II -X-TM40	40		115410025301	
			HDC-24BU-DH- II -X-TM50	50		115410025302	

Description	Type No.	Screw thread		Order No.	Drawing	Dimensions in mm
		M	Pg			
<b>Hoods</b> Double High structure Side entry 	HDC-24BU-DH- II -X-SM40	40		115410025303		110 120 60
	HDC-24BU-DH- II -X-SM50	50		115410025304		
<b>Hoods</b> Double High structure Top entry+Side entry 	HDC-24BU-DH- II -X-TM40+SM40	40+40		115410025305		110 120 60
	HDC-24BU-DH- II -X-TM50+SM20	50+20		115410025306		
<b>Hoods</b> Double High structure Side entry EMC 	HDC-24BU-DH-EMC-SM25	25		115410019901		76 120 76 43
	HDC-24BU-DH-EMC-SM32	32		115410019902		
	HDC-24BU-DH-EMC-SM40	40		115410019903		
	HDC-24BU-DH-EMC-SPg16		16	115410019904		
	HDC-24BU-DH-EMC-SPg21		21	115410019905		
	HDC-24BU-DH-EMC-SPg29		29	115410019906		
	HDC-24BU-DH-EMC-SM36	36×2		115410019907		
<b>Hoods</b> Double High structure Top entry EMC 	HDC-24BU-DH-EMC-TM25	25		115410019908		76 120 76 43
	HDC-24BU-DH-EMC-TM32	32		115410019909		
	HDC-24BU-DH-EMC-TM40	40		115410019910		
	HDC-24BU-DH-EMC-TPg16		16	115410019911		
	HDC-24BU-DH-EMC-TPg21		21	115410019912		
	HDC-24BU-DH-EMC-TPg29		29	115410019913		
	HDC-24BU-DH-EMC-TM36	36×2		115410019914		

Upper Half Shell

Shell / Series A

Shell / Series B

Shell / Series P

Shell / Series D

Inserts / Series E

Inserts / Series M

Inserts / Series H

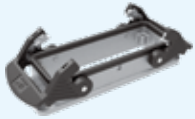
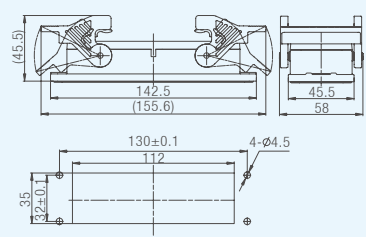
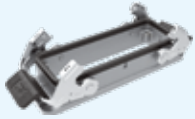
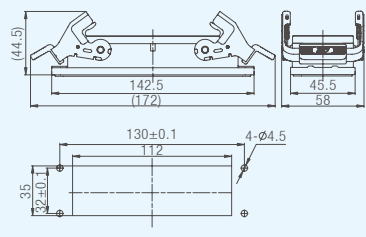

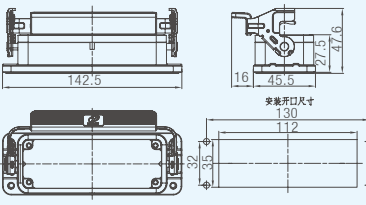

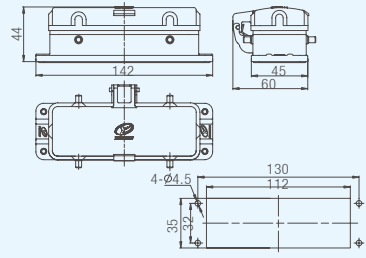
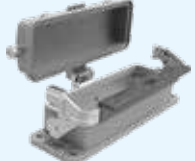
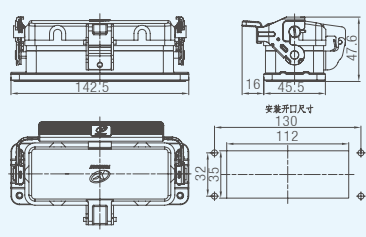
Inserts / Series Q

Inserts / Series K (Hyond)

Inserts / Series C

Inserts / Anti-Open Circuit


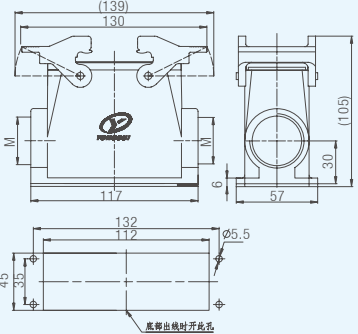

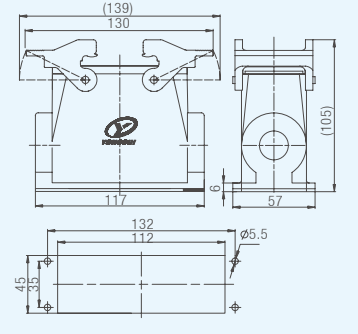

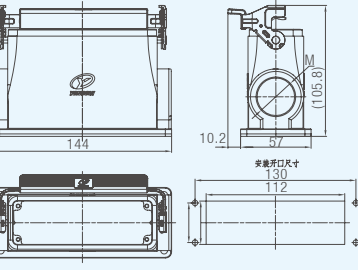
Accessory

Description	Type No.	Screw thread		Order No.	Drawing	Dimensions in mm
		M	Pg			
<b>Housing</b> Double Low structure 	HDC-24BL-DL			113010600565		(45.5) 142.5 (155.6) 45.5 58 130±0.1 112 4-∅4.5 32±0.1 9.5
<b>Housing</b> Double Low structure Metal handle 	HDC-24BL-DL			113010600647		(44.5) 142.5 (172) 45.5 58 130±0.1 112 4-∅4.5 32±0.1 9.5
<b>Housing</b> One side Low structure Metal handle 	HDC-24BL-SL			113010600749		142.5 16 45.5 27.5 47.6 130 112 32 3.5
<b>Housing</b> Double Low structure with cocer 	HDC-24BL-DL-MCV			113010600630		44 142 45 60 130 112 4-∅4.5 35 32
<b>Housing</b> One side Low structure Metal handle with cocer 	HDC-24BL-DL-MCV			113010600750		142.5 16 45.5 47.6 130 112 32 3.5

Lower shell Lower Housing


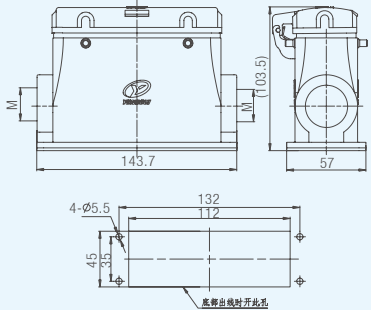

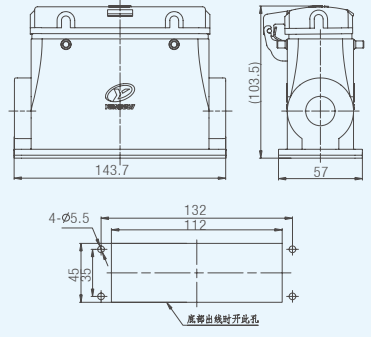

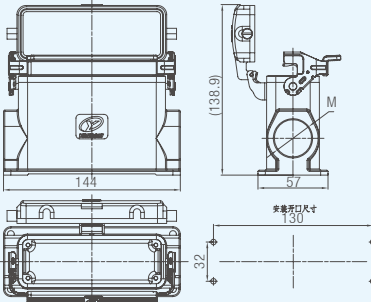
Shell / Series A  
Shell / Series B  
Shell / Series P  
Inserts / Series D  
Inserts / Series E  
Inserts / Series M  
Inserts / Series H  
Inserts / Series Q  
Inserts / Series K (Hybrid)  
Inserts / Series C  
Inserts / Anti-Open Circuit  
Accessory



Description	Type No.	Screw thread		Order No.	Drawing	Dimensions in mm
		M	Pg			
<b>Housing</b> Double High structure Open back cover Side entry 	HDC-24BL-DH-0-SM25	25		11542001901		
	HDC-24BL-DH-0-SM32	32		11542001902		
	HDC-24BL-DH-0-SM40	40		11542001903		
	HDC-24BL-DH-0-SPg16		16	11542001904		
	HDC-24BL-DH-0-SPg21		21	11542001905		
	HDC-24BL-DH-0-SPg29		29	11542001906		
	HDC-24BL-DH-0-2SM25	2×25		11542001907		
	HDC-24BL-DH-0-2SM32	2×32		11542001908		
	HDC-24BL-DH-0-2SM40	2×40		11542001909		
	HDC-24BL-DH-0-2SPg16		2×16	11542001910		
	HDC-24BL-DH-0-2SPg21		2×21	11542001911		
	HDC-24BL-DH-0-2SPg29		2×29	11542001912		
<b>Housing</b> Double High structure Open back cover No Side entry 	HDC-24BL-DH-0			11542001913		
<b>Housing</b> One side High structure Open back cover 	HDC-24BL-SH-0-SM25	25		115420023301		
	HDC-24BL-SH-0-SM32	32		115420023302		
	HDC-24BL-SH-0-SM40	40		115420023303		
	HDC-24BL-SH-0-SPg16		16	115420023304		
	HDC-24BL-SH-0-SPg21		21	115420023305		
	HDC-24BL-SH-0-SPg29		29	115420023306		
	HDC-24BL-SH-0-2SM20	2×20		115420023307		
	HDC-24BL-SH-0-2SM25	2×25		115420023308		
	HDC-24BL-SH-0-2SM32	2×32		115420023309		
	HDC-24BL-SH-0-2SPg16		2×16	115420023310		
	HDC-24BL-SH-0-2SPg21		2×21	115420023311		
	HDC-24BL-SH-0-2SPg29		2×29	115420023312		
HDC-24BL-SH-0			115420023313			

Lower shell Lower Housing


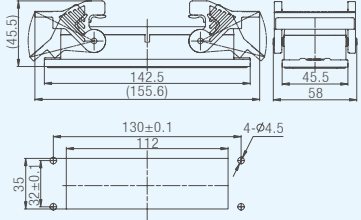
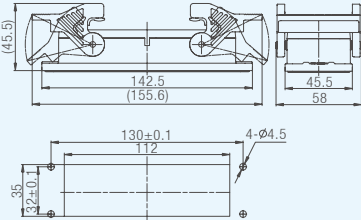
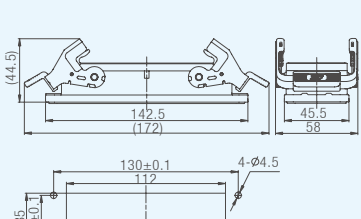

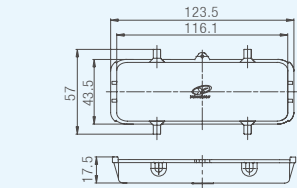
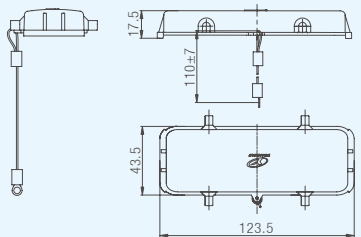
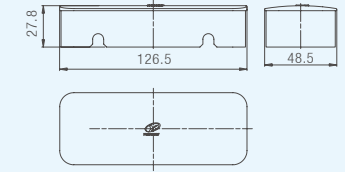
Shell / Series A  
 Shell / Series B  
 Shell / Series P  
 Inerts / Series D  
 Inerts / Series E  
 Inerts / Series M  
 Inerts / Series H  
 Inerts / Series Q  
 Inerts / Series K (Hyond)  
 Inerts / Series C  
 Inerts / Anti-Open Circuit  
 Accessory

Description	Type No.	Screw thread		Order No.	Drawing	Dimensions in mm
		M	Pg			
<b>Housing</b> Double High structure Open back cover with cocer Side entry 	HDC-24BL-DH-O-MCV-SM25	25		115420020301		
	HDC-24BL-DH-O-MCV-SM32	32		115420020302		
	HDC-24BL-DH-O-MCV-SM40	40		115420020303		
	HDC-24BL-DH-O-MCV-SPg16		16	115420020304		
	HDC-24BL-DH-O-MCV-SPg21		21	115420020305		
	HDC-24BL-DH-O-MCV-SPg29		29	115420020306		
	HDC-24BL-DH-O-MCV-SM30	30×2		115420020307		
	HDC-24BL-DH-O-MCV-2SM25	2×25		115420020308		
	HDC-24BL-DH-O-MCV-2SM32	2×32		115420020309		
	HDC-24BL-DH-O-MCV-2SM40	2×40		115420020310		
	HDC-24BL-DH-O-MCV-2SPg16		2×16	115420020311		
	HDC-24BL-DH-O-MCV-2SPg21		2×21	115420020312		
	HDC-24BL-DH-O-MCV-2SPg29		2×29	115420020313		
<b>Housing</b> Double High structure Open back cover with cocer No Side entry 	HDC-24BL-DH-O-MCV			115420020314		
<b>Housing</b> One side High structure Back cover with cocer 	HDC-24BL-SH-C-MCV-SM20	20		115460026601		
	HDC-24BL-SH-C-MCV-SM25	25		115460026602		
	HDC-24BL-SH-C-MCV-SM32	32		115460026603		
	HDC-24BL-SH-C-MCV-2SM20	2×20		115460026604		
	HDC-24BL-SH-C-MCV-SM20+SM25	20+25		115460026605		
	HDC-24BL-SH-C-MCV-SM20+SM32	20+32		115460026606		
	HDC-24BL-SH-C-MCV-2SM25	2×25		115460026607		
	HDC-24BL-SH-C-MCV-SM25+SM32	25+32		115460026608		
	HDC-24BL-SH-C-MCV-2SM32	2×32		115460026609		

Lower shell Lower Housing

Description	Type No.	Screw thread		Order No.	Drawing	Dimensions in mm
		M	Pg			
<b>Housing</b> Double High structure Back cover Plastic handle	HDC-24BL-DH-C-SM20	20		115420024901		
	HDC-24BL-DH-C-SM25	25		115420024902		
	HDC-24BL-DH-C-SM32	32		115420024903		
	HDC-24BL-DH-C-2SM20	2×20		115420024904		
	HDC-24BL-DH-C-SM20+SM25	20+25		115420024905		
	HDC-24BL-DH-C-SM20+SM32	20+32		115420024906		
	HDC-24BL-DH-C-2SM25	2×25		115420024907		
	HDC-24BL-DH-C-SM25+SM32	25+32		115420024908		
<b>Lower shell Lower Housing</b>	HDC-24BL-DH-C-SM20	20		115420025201		
	HDC-24BL-DH-C-SM25	25		115420025202		
	HDC-24BL-DH-C-SM32	32		115420025203		
	HDC-24BL-DH-C-2SM20	2×20		115420025204		
	HDC-24BL-DH-C-SM20+SM25	20+25		115420025205		
	HDC-24BL-DH-C-SM20+SM32	20+32		115420025206		
	HDC-24BL-DH-C-2SM25	2×25		115420025207		
	HDC-24BL-DH-C-SM25+SM32	25+32		115420025208		
<b>Housing</b> Double High structure Top entry Fly wire	HDC-24BL-DH-FL-TM25	25		115420020401		
	HDC-24BL-DH-FL-TM32	32		115420020402		
	HDC-24BL-DH-FL-TPg21		21	115420020403		
	HDC-24BL-DH-FL-TPg29		29	115420020404		

Shell / Series A  
 Shell / Series B  
 Shell / Series P  
 Hase / Series D  
 Inserts / Series E  
 Inserts / Series M  
 Inserts / Series H  
 Inserts / Series Q  
 Inserts / Series K (Hyond)  
 Inserts / Series C  
 Inserts / Anti-Open Circuit  
 Accessory

Description	Type No.	Screw thread		Order No.	Drawing	Dimensions in mm
		M	Pg			
<b>Lower shell Lower Housing</b> 	<b>Housing</b> Double Low structure HDC-24BL-DL-X			113010600735		
	<b>Housing</b> Double Low structure EMC HDC-24BL-DL-EMC			113010600648		
	<b>Housing</b> Double Low structure EMC Metal handle HDC-24BL-DL-EMC			113010600649		
<b>Protective cover</b> 	<b>Plastic Protective cover</b> Socket end protection HDC-24B-PC-F			114069801449		
	<b>Plastic Protective cover</b> Socket end protection with nylon rope HDC-24B-PC-FS			113069800188		
	<b>Plastic Protective cover</b> Plug end protection HDC-24B-PC-M			114069801445		

## P Series Shell

### Housing Connector Features

---

- Mainly used in rail locomotives, industrial automation and data center industries;
- Can be combined with existing modules, inserts and Hinged Frames;
- With high protective performance features, weight reduction by 50%;
- The modular structure is equipped with onemore module than the existing shell, saving space;
- Socket end rear-mounted to meet the installation convenience.


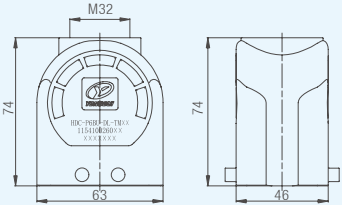

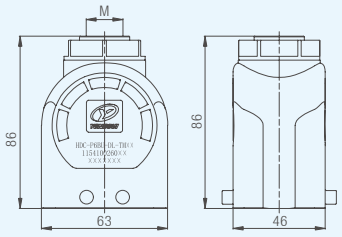

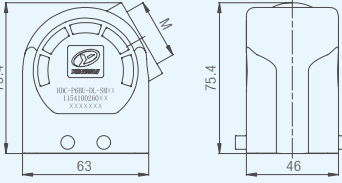

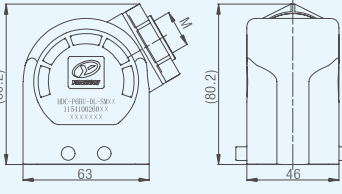

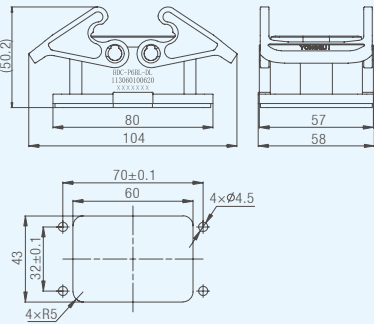
### Technical Specification of the Housing

---


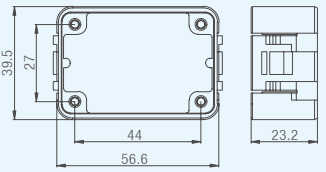

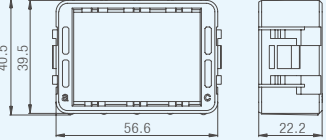

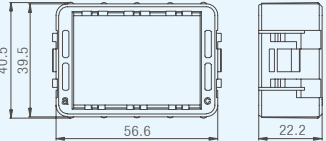
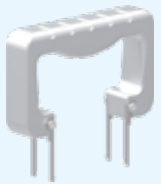
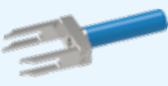
- Materials:Nylon(PA)
- Color:Black
- Locking mode:Handle locking
- Environment temperature:-40°C~ +125°C
- Mechanical lified:  $\geq 500$
- Protection Grade:IP65



Type	Plug Shell		
6			
	HDC-P6BU-DL-TM32 Plug housig components 115410026001	HDC-P6BU-DL-TM25 Plug housig components 115410026002	HDC-P6BU-SL-TM20 Plug housig components 115410026003
			
	HDC-P6BU-SL-TM32 Plug housig components 115410026201	HDC-P6BU-SL-TM25 Plug housig components 115410026202	HDC-P6BU-SL-TM20 Plug housig components 115410026203
Type	Socket Shell	Module fastener (module selection)	
6			
	HDC-P6BL-DL Socket Housing components 113060100620	HDC-P6B module fastener (a-c) 114069804877	HDC-P6B module fastener (A-C) 113060100621
Type	HDC-P6B Inner assembly (insert selection)		
6			
	HDC-P6BL-DL Socket Housing components 113060100620		

Description	Type No.	Screw thread		Order No.	Drawing	Dimensions in mm	
		M	Pg				
Upper Half Shell	<b>Hoods</b> Double side Topentry 	HDC-P6BU-DL-TM32	32		115410026001		
	<b>Hoods</b> Double side Topentry 	HDC-P6BU-DL-TM20	20		115410026003		
		HDC-P6BU-DL-TM25	25		115410026002		
	<b>Hoods</b> Double side Side-entry 	HDC-P6BU-DL-SM32	32		115410028001		
		<b>Hoods</b> Double side Side-entry 	HDC-P6BU-DL-SM20	20		115410028003	
			HDC-P6BU-DL-SM25	25		115410028002	
		<b>Housing</b> Double side 	HDC-P6BL-DL			113060100620	

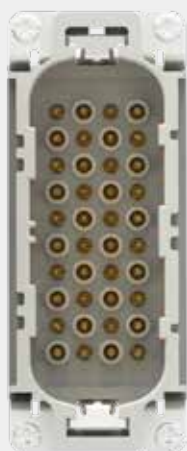
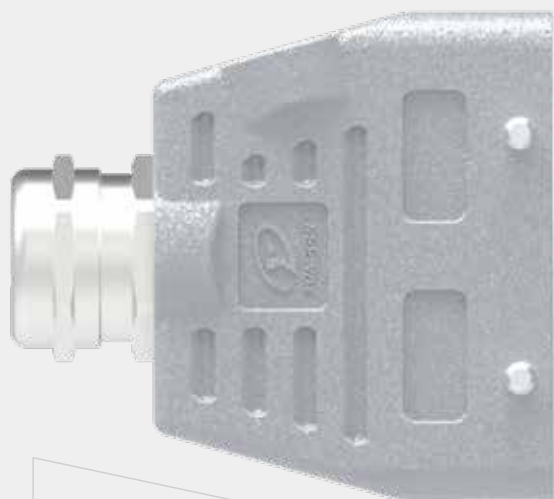
Shell / Series A  
Shell / Series B  
Shell / Series P  
Inserts / Series D  
Inserts / Series E  
Inserts / Series M  
Inserts / Series N  
Inserts / Series Q  
Inserts / Series K (Hybrid)  
Inserts / Series C  
Inserts / Anti-Open Circuit  
Accessory

Description	Type No.	Screw thread		Order No.	Drawing	Dimensions in mm
		M	Pg			
Fasteners	 Insert core inner sleeve HDC-P6B			113069800512		39.5 27 44 56.6 23.2
	 Module inner sleeve HDC-P6B(A-C)			113060100621		40.5 39.5 56.6 22.2
	 Insert core inner sleeve HDC-P6B(a-c)			114069804877		40.5 39.5 56.6 22.2
Description	Pressure connection diameter /scope of application	Type No.	Order No.			
 HDC-P6B Shell withdrawal tool	HDC-P6B		532990002292			
 HDC-P module withdrawal tool	HDC-P module		532990002339			



\*Environmental temperature is increasing, and products are constantly being updated. For more pinholes, please refer to pages 278-283, and for more tools, please refer to pages 274-277



## D Series Connector



# D Series

Series	HDC-HD Insert		
Description			
Number of contacts	24	42	40
mode of connection	Cold-pressed connection	Cold-pressed connection	Cold-pressed connection
Matching housing specifications	6A/6B	10A/10B	16A/16B
Electrical data according to DIN EN 61984	10A 250V 4kV 3	10A 250V 4kV 3	10A 250V 4kV 3
Wiring specification	(0.14-0.37) -2.5mm <sup>2</sup>	(0.14-0.37) -2.5mm <sup>2</sup>	(0.14-0.37) -2.5mm <sup>2</sup>
Male contacts	113060100518	113060100519	113060100139
Female contacts	113060200508	113060200509	114060200831
Description			
Number of contacts	72	64	108
mode of connection	Cold-pressed connection	Cold-pressed connection	Cold-pressed connection
Matching housing specifications	16A/16B	24A/24B	24A/24B
Electrical data according to DIN EN 61984	10A 250V 4kV 3	10A 250V 4kV 3	10A 250V 4kV 3
Wiring specification	(0.14-0.37) -2.5mm <sup>2</sup>	(0.14-0.37) -2.5mm <sup>2</sup>	(0.14-0.37) -2.5mm <sup>2</sup>
Male contacts	113060100521	113060100520	112022000888
Female contacts	113060200511	113060200510	112012000620

## Specifications / standard

	IEC 61984
Specifications	IEC 60664-1
	IEC 61373
Approvals	

## Inserts

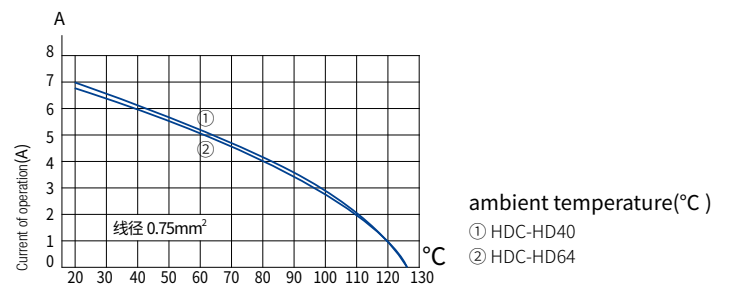
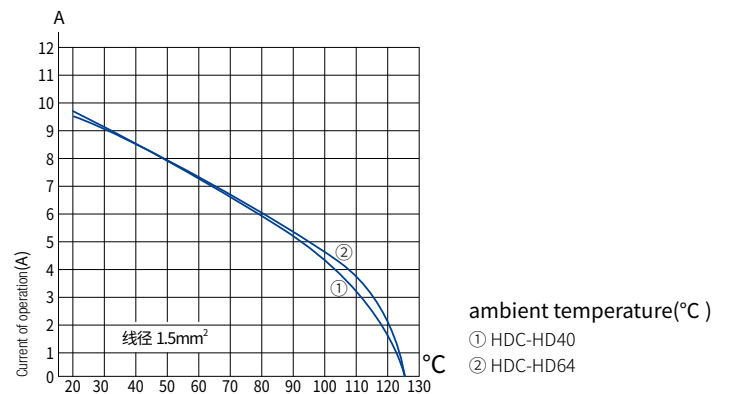
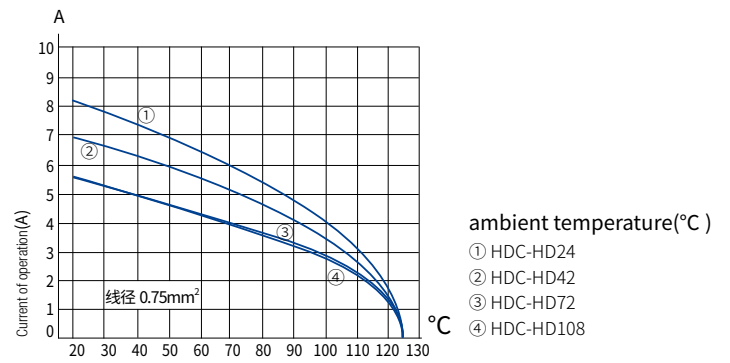
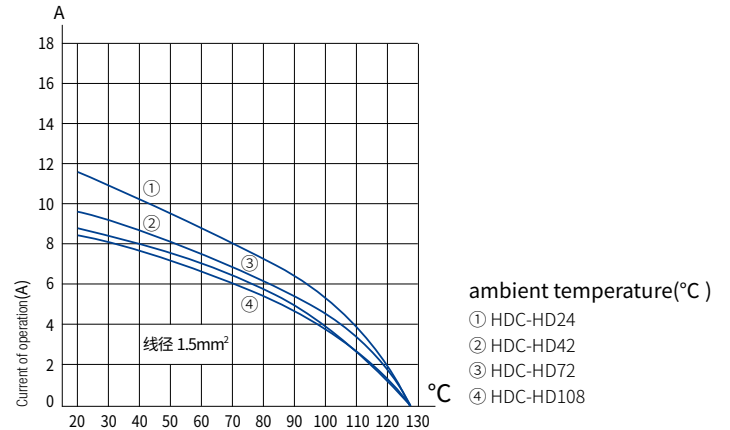
Number of contacts	24, 40, 42, 64, 72, 108
Electrical data acc.to IEC 61984	
Rated Current	10A
Rated Voltage	250V
Rated impluse voltage	4kV
Pollution degree	3
Insulation resistance	$\geq 10^{10}\Omega$
According to UL/CSARated Voltage	600V
Material	Antiflaming PC
Limiting temperatures	-40°C ~ +125°C
Flame retardant rating	EN 45545-2 R22&R23 HL3
Mechanical life	$\geq 500$

## Contacts

Material	Aldary
Surface treatment	gold plating/silver plating
Contact resistance	$\leq 2.5m\Omega$
Cold-pressed connection	
Conductor specification	(0.14-0.37)-2.5mm <sup>2</sup>
AWG	26-14
Stripping Length	6-8mm

## Current carrying capacity

The current carrying capacity of the connector is limited by the thermal load capacity of the contacts and insulating components. The derating curve displays a limited amount of current uniformly and continuously through each contact of the connector at a temperature not exceeding the maximum allowed temperature. Test methods refer to DIN EN 60512-5.



**Number of contacts**
**24 +** 

Shell size: 6A/6B Shell, Cold-pressed connection / Cold-pressed pins need to be ordered separately

Description	Type No.	Order No.		Drawing	Dimensions in mm
		Male insert	Female insert		
	HDC-HD24-MC	113060100518		<p>Maximum distance between connectors 21mm</p> <p>Dimensions of panel mounting holes</p> <p>Contact face position arrangement</p>	
	HDC-HD24-FC		113060200508		

Description contact pairs	cross-section of conductor (mm <sup>2</sup> )	Order No.		Drawing	Dimensions in mm																				
		Male contact	Female contact																						
gold plating 	0.5	115210010802	115310016102	<table border="1"> <thead> <tr> <th colspan="2">Wire gauges</th> <th>Stripping Length</th> </tr> </thead> <tbody> <tr> <td>0.5mm<sup>2</sup></td> <td>AWG20</td> <td>8mm</td> </tr> <tr> <td>0.75-1mm<sup>2</sup></td> <td>AWG18</td> <td>8mm</td> </tr> <tr> <td>1.5mm<sup>2</sup></td> <td>AWG16</td> <td>8mm</td> </tr> <tr> <td>2.5mm<sup>2</sup></td> <td>AWG14</td> <td>6mm</td> </tr> <tr> <td>0.14-0.37mm<sup>2</sup></td> <td>AWG26-22</td> <td>8mm</td> </tr> </tbody> </table>	Wire gauges		Stripping Length	0.5mm <sup>2</sup>	AWG20	8mm	0.75-1mm <sup>2</sup>	AWG18	8mm	1.5mm <sup>2</sup>	AWG16	8mm	2.5mm <sup>2</sup>	AWG14	6mm	0.14-0.37mm <sup>2</sup>	AWG26-22	8mm	0.75-1.0	115210010804	115310016104
	Wire gauges		Stripping Length																						
	0.5mm <sup>2</sup>	AWG20	8mm																						
	0.75-1mm <sup>2</sup>	AWG18	8mm																						
	1.5mm <sup>2</sup>	AWG16	8mm																						
2.5mm <sup>2</sup>	AWG14	6mm																							
0.14-0.37mm <sup>2</sup>	AWG26-22	8mm																							
1.5	115210010805	115310016105																							
2.5	115210010901	115310016106																							
0.14-0.37	115210010801	115310016101																							
silver plating 	0.5	115210010807	115310016108																						
	0.75-1.0	115210010809	115310016110																						
	1.5	115210010810	115310016111																						
	2.5	115210010902	115310016112																						
	0.14-0.37	115210010806	115310016107																						

Description	Pressure connection diameter /scope of application	Type No.	Order No.
<b>Crimping tool</b> 	0.14-4.0mm <sup>2</sup>	M22520/1-01(DMC)	531030600020
<b>Needle withdrawal tool</b> 	10A Cold-pressed pin	HDC-HD-CX	113030400143

\*More pinholes can be found on pages 278-283, and more tools can be found on pages 274-277

**Number of contacts**
**40 +** 

Shell size: 16A/16B Shell, Cold-pressed connection / Cold-pressed pins need to be ordered separately

Description	Type No.	Order No.		Drawing	Dimensions in mm
		Male insert	Female insert		
	HDC-HD40-MC	113060100139		<p>Maximum distance between connectors 21mm</p> <p>Dimensions of panel mounting holes</p> <p>Contact face position arrangement</p>	
	HDC-HD40-FC		114060200831		

Description contact pairs	cross-section of conductor (mm <sup>2</sup> )	Order No.		Drawing	Dimensions in mm																	
		Male contact	Female contact																			
gold plating 	0.5	115210010802	115310016102	<table border="1"> <thead> <tr> <th colspan="2">Wire gauges</th> <th>Stripping Length</th> </tr> </thead> <tbody> <tr> <td>0.5mm<sup>2</sup></td> <td>AWG20</td> <td>8mm</td> </tr> <tr> <td>0.75-1mm<sup>2</sup></td> <td>AWG18</td> <td>8mm</td> </tr> <tr> <td>1.5mm<sup>2</sup></td> <td>AWG16</td> <td>8mm</td> </tr> <tr> <td>2.5mm<sup>2</sup></td> <td>AWG14</td> <td>6mm</td> </tr> <tr> <td>0.14-0.37mm<sup>2</sup></td> <td>AWG26-22</td> <td>8mm</td> </tr> </tbody> </table>	Wire gauges		Stripping Length	0.5mm <sup>2</sup>	AWG20	8mm	0.75-1mm <sup>2</sup>	AWG18	8mm	1.5mm <sup>2</sup>	AWG16	8mm	2.5mm <sup>2</sup>	AWG14	6mm	0.14-0.37mm <sup>2</sup>	AWG26-22	8mm
	Wire gauges		Stripping Length																			
	0.5mm <sup>2</sup>	AWG20	8mm																			
	0.75-1mm <sup>2</sup>	AWG18	8mm																			
1.5mm <sup>2</sup>	AWG16	8mm																				
2.5mm <sup>2</sup>	AWG14	6mm																				
0.14-0.37mm <sup>2</sup>	AWG26-22	8mm																				
0.75-1.0	115210010804	115310016104																				
1.5	115210010805	115310016105																				
2.5	115210010901	115310016106																				
silver plating 	0.14-0.37	115210010801	115310016101																			
	0.5	115210010807	115310016108																			
	0.75-1.0	115210010809	115310016110																			
	1.5	115210010810	115310016111																			
	2.5	115210010902	115310016112																			
	0.14-0.37	115210010806	115310016107																			

Description	Pressure connection diameter /scope of application	Type No.	Order No.
<b>Crimping tool</b> 	0.14-4.0mm <sup>2</sup>	M22520/1-01(DMC)	531030600020
<b>Needle withdrawal tool</b> 	10A Cold-pressed pin	HDC-HD-CX	113030400143

\*More pinholes can be found on pages 278-283, and more tools can be found on pages 274-277

Number of contacts

42 +

Shell size: 10A/10B Shell, Cold-pressed connection / Cold-pressed pins need to be ordered separately

Description	Type No.	Order No.		Drawing	Dimensions in mm
		Male insert	Female insert		
	HDC-HD42-MC	113060100519		<p>Maximum distance between connectors 21mm</p>	
	HDC-HD42-FC		113060200509		

Description contact pairs	cross-section of conductor (mm <sup>2</sup> )	Order No.		Drawing	Dimensions in mm																				
		Male contact	Female contact																						
gold plating 	0.5	115210010802	115310016102	<table border="1"> <thead> <tr> <th colspan="2">Wire gauges</th> <th>Stripping Length</th> </tr> </thead> <tbody> <tr> <td>0.5mm<sup>2</sup></td> <td>AWG20</td> <td>8mm</td> </tr> <tr> <td>0.75-1mm<sup>2</sup></td> <td>AWG18</td> <td>8mm</td> </tr> <tr> <td>1.5mm<sup>2</sup></td> <td>AWG16</td> <td>8mm</td> </tr> <tr> <td>2.5mm<sup>2</sup></td> <td>AWG14</td> <td>6mm</td> </tr> <tr> <td>0.14-0.37mm<sup>2</sup></td> <td>AWG26-22</td> <td>8mm</td> </tr> </tbody> </table>	Wire gauges		Stripping Length	0.5mm <sup>2</sup>	AWG20	8mm	0.75-1mm <sup>2</sup>	AWG18	8mm	1.5mm <sup>2</sup>	AWG16	8mm	2.5mm <sup>2</sup>	AWG14	6mm	0.14-0.37mm <sup>2</sup>	AWG26-22	8mm	0.75-1.0	115210010804	115310016104
	Wire gauges		Stripping Length																						
	0.5mm <sup>2</sup>	AWG20	8mm																						
	0.75-1mm <sup>2</sup>	AWG18	8mm																						
	1.5mm <sup>2</sup>	AWG16	8mm																						
2.5mm <sup>2</sup>	AWG14	6mm																							
0.14-0.37mm <sup>2</sup>	AWG26-22	8mm																							
1.5	115210010805	115310016105																							
2.5	115210010901	115310016106																							
0.14-0.37	115210010801	115310016101																							
silver plating 	0.5	115210010807	115310016108																						
	0.75-1.0	115210010809	115310016110																						
	1.5	115210010810	115310016111																						
	2.5	115210010902	115310016112																						
	0.14-0.37	115210010806	115310016107																						

Description	Pressure connection diameter /scope of application	Type No.	Order No.
<b>Crimping tool</b> 	0.14-4.0mm <sup>2</sup>	M22520/1-01(DMC)	531030600020
<b>Needle withdrawal tool</b> 	10A Cold-pressed pin	HDC-HD-CX	113030400143

\*More pinholes can be found on pages 278-283, and more tools can be found on pages 274-277

Number of contacts

64 +

Shell size: 24A/24B Shell, Cold-pressed connection / Cold-pressed pins need to be ordered separately

Description	Type No.	Order No.		Drawing	Dimensions in mm
		Male insert	Female insert		
	HDC-HD64-MC	113060100520		<p>Maximum distance between connectors 21mm</p> <p>Dimensions of panel mounting holes</p> <p>Contact face position arrangement</p>	
	HDC-HD64-FC		113060200510		

Description contact pairs	cross-section of conductor (mm <sup>2</sup> )	Order No.		Drawing	Dimensions in mm																	
		Male contact	Female contact																			
gold plating 	0.5	115210010802	115310016102	<table border="1"> <thead> <tr> <th colspan="2">Wire gauges</th> <th>Stripping Length</th> </tr> </thead> <tbody> <tr> <td>0.5mm<sup>2</sup></td> <td>AWG20</td> <td>8mm</td> </tr> <tr> <td>0.75-1mm<sup>2</sup></td> <td>AWG18</td> <td>8mm</td> </tr> <tr> <td>1.5mm<sup>2</sup></td> <td>AWG16</td> <td>8mm</td> </tr> <tr> <td>2.5mm<sup>2</sup></td> <td>AWG14</td> <td>6mm</td> </tr> <tr> <td>0.14-0.37mm<sup>2</sup></td> <td>AWG26-22</td> <td>8mm</td> </tr> </tbody> </table>	Wire gauges		Stripping Length	0.5mm <sup>2</sup>	AWG20	8mm	0.75-1mm <sup>2</sup>	AWG18	8mm	1.5mm <sup>2</sup>	AWG16	8mm	2.5mm <sup>2</sup>	AWG14	6mm	0.14-0.37mm <sup>2</sup>	AWG26-22	8mm
	Wire gauges		Stripping Length																			
	0.5mm <sup>2</sup>	AWG20	8mm																			
	0.75-1mm <sup>2</sup>	AWG18	8mm																			
	1.5mm <sup>2</sup>	AWG16	8mm																			
2.5mm <sup>2</sup>	AWG14	6mm																				
0.14-0.37mm <sup>2</sup>	AWG26-22	8mm																				
0.75-1.0	115210010804	115310016104																				
1.5	115210010805	115310016105																				
2.5	115210010901	115310016106																				
0.14-0.37	115210010801	115310016101																				
silver plating 	0.5	115210010807	115310016108																			
	0.75-1.0	115210010809	115310016110																			
	1.5	115210010810	115310016111																			
	2.5	115210010902	115310016112																			
	0.14-0.37	115210010806	115310016107																			

Description	Pressure connection diameter /scope of application	Type No.	Order No.
Crimping tool 	0.14-4.0mm <sup>2</sup>	M22520/1-01(DMC)	531030600020
Needle withdrawal tool 	10A Cold-pressed pin	HDC-HD-CX	113030400143

\*More pinholes can be found on pages 278-283, and more tools can be found on pages 274-277

Number of contacts

72 +

Shell size: 16A/16B Shell, Cold-pressed connection / Cold-pressed pins need to be ordered separately

Description	Type No.	Order No.		Drawing	Dimensions in mm
		Male insert	Female insert		
	HDC-HD72-MC	113060100521		<p>Maximum distance between connectors 21mm</p> <p>Dimensions of panel mounting holes</p> <p>Contact face position arrangement</p>	
	HDC-HD72-FC		113060200511		

Description contact pairs	cross-section of conductor (mm <sup>2</sup> )	Order No.		Drawing	Dimensions in mm																	
		Male contact	Female contact																			
<p>gold plating</p>	0.5	115210010802	115310016102	<table border="1"> <thead> <tr> <th colspan="2">Wire gauges</th> <th>Stripping Length</th> </tr> </thead> <tbody> <tr> <td>0.5mm<sup>2</sup></td> <td>AWG20</td> <td>8mm</td> </tr> <tr> <td>0.75-1mm<sup>2</sup></td> <td>AWG18</td> <td>8mm</td> </tr> <tr> <td>1.5mm<sup>2</sup></td> <td>AWG16</td> <td>8mm</td> </tr> <tr> <td>2.5mm<sup>2</sup></td> <td>AWG14</td> <td>6mm</td> </tr> <tr> <td>0.14-0.37mm<sup>2</sup></td> <td>AWG26-22</td> <td>8mm</td> </tr> </tbody> </table>	Wire gauges		Stripping Length	0.5mm <sup>2</sup>	AWG20	8mm	0.75-1mm <sup>2</sup>	AWG18	8mm	1.5mm <sup>2</sup>	AWG16	8mm	2.5mm <sup>2</sup>	AWG14	6mm	0.14-0.37mm <sup>2</sup>	AWG26-22	8mm
	Wire gauges		Stripping Length																			
	0.5mm <sup>2</sup>	AWG20	8mm																			
	0.75-1mm <sup>2</sup>	AWG18	8mm																			
	1.5mm <sup>2</sup>	AWG16	8mm																			
2.5mm <sup>2</sup>	AWG14	6mm																				
0.14-0.37mm <sup>2</sup>	AWG26-22	8mm																				
0.75-1.0	115210010804	115310016104																				
1.5	115210010805	115310016105																				
2.5	115210010901	115310016106																				
0.14-0.37	115210010801	115310016101																				
<p>silver plating</p>	0.5	115210010807	115310016108																			
	0.75-1.0	115210010809	115310016110																			
	1.5	115210010810	115310016111																			
	2.5	115210010902	115310016112																			
	0.14-0.37	115210010806	115310016107																			

Description	Pressure connection diameter /scope of application	Type No.	Order No.
<p>Crimping tool</p>	0.14-4.0mm <sup>2</sup>	M22520/1-01(DMC)	531030600020
<p>Needle withdrawal tool</p>	10A Cold-pressed pin	HDC-HD-CX	113030400143

\*More pinholes can be found on pages 278-283, and more tools can be found on pages 274-277



Number of contacts

108 +

Shell size: 24A/24B Shell, Cold-pressed connection / Cold-pressed pins need to be ordered separately

Description	Type No.	Order No.		Drawing	Dimensions in mm
		Male insert	Female insert		
	HDC-HD108-MC	112022000888		<p>Maximum distance between connectors 21mm</p>	
	HDC-HD108-FC		112012000620		
				<p>Dimensions of panel mounting holes</p> <p>Contact face position arrangement</p>	

Description contact pairs	cross-section of conductor (mm <sup>2</sup> )	Order No.		Drawing	Dimensions in mm																		
		Male contact	Female contact																				
gold plating 	0.5	115210010802	115310016102																				
	0.75-1.0	115210010804	115310016104																				
	1.5	115210010805	115310016105																				
	2.5	115210010901	115310016106																				
	0.14-0.37	115210010801	115310016101																				
silver plating 	0.5	115210010807	115310016108	<table border="1"> <thead> <tr> <th colspan="2">Wire gauges</th> <th>Stripping Length</th> </tr> </thead> <tbody> <tr> <td>0.5mm<sup>2</sup></td> <td>AWG20</td> <td>8mm</td> </tr> <tr> <td>0.75-1mm<sup>2</sup></td> <td>AWG18</td> <td>8mm</td> </tr> <tr> <td>1.5mm<sup>2</sup></td> <td>AWG16</td> <td>8mm</td> </tr> <tr> <td>2.5mm<sup>2</sup></td> <td>AWG14</td> <td>6mm</td> </tr> <tr> <td>0.14-0.37mm<sup>2</sup></td> <td>AWG26-22</td> <td>8mm</td> </tr> </tbody> </table>	Wire gauges		Stripping Length	0.5mm <sup>2</sup>	AWG20	8mm	0.75-1mm <sup>2</sup>	AWG18	8mm	1.5mm <sup>2</sup>	AWG16	8mm	2.5mm <sup>2</sup>	AWG14	6mm	0.14-0.37mm <sup>2</sup>	AWG26-22	8mm	
	Wire gauges		Stripping Length																				
	0.5mm <sup>2</sup>	AWG20	8mm																				
	0.75-1mm <sup>2</sup>	AWG18	8mm																				
	1.5mm <sup>2</sup>	AWG16	8mm																				
2.5mm <sup>2</sup>	AWG14	6mm																					
0.14-0.37mm <sup>2</sup>	AWG26-22	8mm																					
0.75-1.0	115210010809	115310016110																					
1.5	115210010810	115310016111																					
2.5	115210010902	115310016112																					
0.14-0.37	115210010806	115310016107																					



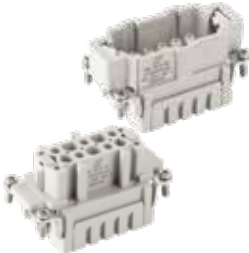



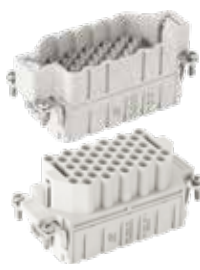



Description	Pressure connection diameter /scope of application	Type No.	Order No.
<b>Crimping tool</b> 	0.14-4.0mm <sup>2</sup>	M22520/1-01(DMC)	531030600020
<b>Needle withdrawal tool</b> 	10A Cold-pressed pin	HDC-HD-CX	113030400143


\*More pinholes can be found on pages 278-283, and more tools can be found on pages 274-277

E Series Connector

E Series



Series	HDC-HE Insert			
Description				
Number of contacts	6	10	10	18
mode of connection	Cold-pressed connection	Cold-pressed connection	Cold-pressed connection	Cold-pressed connection
Matching housing specifications	6A/6B	6A/6B	10A/10B	10A/10B
Electrical data according to DIN EN 61984	16A 500V 6kV 3	16A 500V 6kV 3	16A 500V 6kV 3	16A 500V 6kV 3
Wiring specification	0.14-4mm <sup>2</sup>	0.14-4mm <sup>2</sup>	0.14-4mm <sup>2</sup>	0.14-4mm <sup>2</sup>
Male contacts	113060100502	113060100515	113060100503	113060100516
Female contacts	113060200489	113060200505	113060200490	113060200506
Description				
Number of contacts	16	32	40	24
mode of connection	Cold-pressed connection	Cold-pressed connection	Cold-pressed connection	Cold-pressed connection
Matching housing specifications	16A/16B	16A/16B	16A/16B	24A/24B
Electrical data according to DIN EN 61984	16A 500V 6kV 3	16A 500V 6kV 3	16A 500V 6kV 3	16A 500V 6kV 3
Wiring specification	0.14-4mm <sup>2</sup>	0.14-4mm <sup>2</sup>	0.14-4mm <sup>2</sup>	0.14-4mm <sup>2</sup>
Male contacts	113060100508	113060100517	113060100484	113060100524
Female contacts	113060200496	113060200507	113060200472	113060200514
Description				
Number of contacts	46	64		
mode of connection	Cold-pressed connection	Cold-pressed connection		
Matching housing specifications	24A/24B	24A/24B		
Electrical data according to DIN EN 61984	16A 500V 6kV 3	16A 500V 6kV 3		
Wiring specification	0.14-4mm <sup>2</sup>	0.14-4mm <sup>2</sup>		
Male contacts	112022000887	113060100522		
Female contacts	112012000619	113060200512		

Series	HDC-HE Insert			
Description				
Number of contacts	6	10	16	24
mode of connection	Screw connection	Screw connection	Screw connection	Screw connection
Matching housing specifications	6A/6B	10A/10B	16A/16B	24A/24B
Electrical data according to DIN EN 61984	16A 500V 6kV 3	16A 500V 6kV 3	16A 500V 6kV 3	16A 500V 6kV 3
Wiring specification	1-2.5mm <sup>2</sup>	1-2.5mm <sup>2</sup>	1-2.5mm <sup>2</sup>	1-2.5mm <sup>2</sup>
Male contacts	113060100486	113060100487	113060100488	113060100103
Female contacts	113060200473	113060200474	113060200475	113060200115

### Specifications / standard

	IEC 61984
Specifications	IEC 60664-1
	IEC 61373
Approvals	

### Inserts

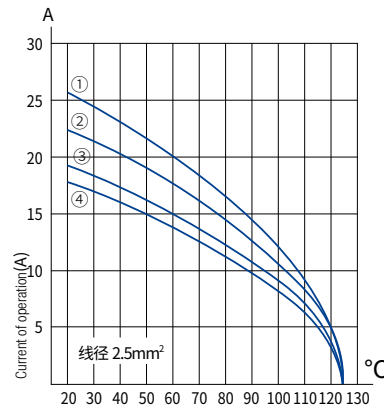
Number of contacts	6, 10, 16, 24
Electrical data acc.to IEC 61984	
Rated Current	16A
Rated Voltage	500V
Rated impulse voltage	6kV
Insulation resistance	$\geq 10^{10}\Omega$
Pollution degree	3
Material	Antiflaming PC
Limiting temperatures	-40°C~ +125°C
Flame retardant rating	EN 45545-2 R22&R23 HL3
Mechanical life	$\geq 500$

### Contacts

Material	Aldary
Surface treatment	gold plating/silver plating
Contact resistance	$\leq 1m\Omega$
Cold-pressed connection	
Conductor specification	0.14-4.0mm <sup>2</sup>
AWG	26-12
Stripping Length	7.5mm
screw connector	
Conductor specification	1.0-2.5mm <sup>2</sup>
AWG	8-14
Tightening/detecting torque	0.5N·m
Stripping Length	7.5mm

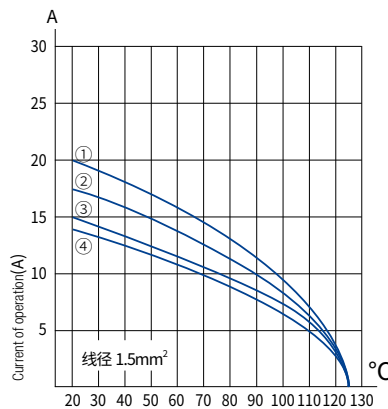
### Current carrying capacity

The current carrying capacity of the connector is limited by the thermal load capacity of the contacts and insulating components. The derating curve displays a limited amount of current uniformly and continuously through each contact of the connector at a temperature not exceeding the maximum allowed temperature. Test methods refer to DIN EN 60512-5.



ambient temperature(°C)

- ① HDC-HE6-M/F(MC/FC)
- ② HDC-HE10-M/F(MC/FC)
- ③ HDC-HE16-M/F(MC/FC)
- ④ HDC-HE24-M/F(MC/FC)



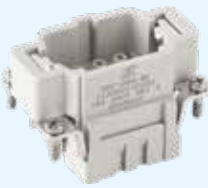

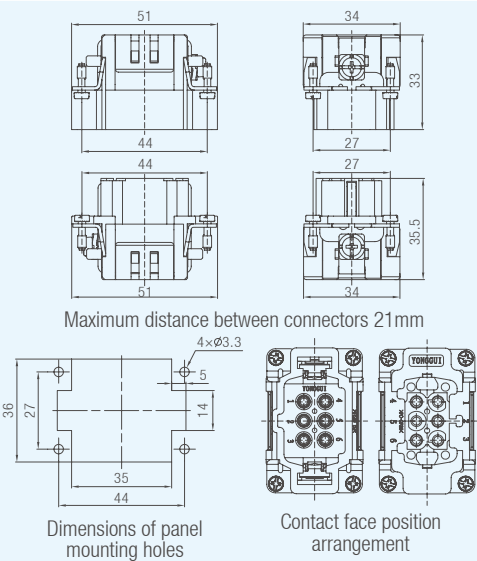

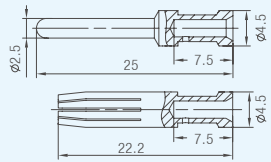
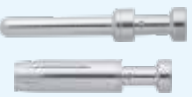


ambient temperature(°C)

- ① HDC-HE6-M/F(MC/FC)
- ② HDC-HE10-M/F(MC/FC)
- ③ HDC-HE16-M/F(MC/FC)
- ④ HDC-HE24-M/F(MC/FC)

## Number of contacts

6 +

Shellsize: Matches the 6A/6B Shell

Description	Type No.	Order No.		Drawing	Dimensions in mm
		Male insert	Female insert		
Cold-pressed connection Cold-pressed pin Order separately    	HDC-HE6-MC	113060100502		 <p>Maximum distance between connectors 21mm</p> <p>Dimensions of panel mounting holes</p> <p>Contact face position arrangement</p>	
	HDC-HE6-FC		113060200489		
Description contact pairs	cross-section of conductor (mm <sup>2</sup> )	Order No.		Drawing	Dimensions in mm
		Male contact	Female contact		
gold plating  	0.14-0.37	114020501613	114021001576		
	0.5	114020501612	114021001577		
	0.75-1.0	114020501610	114021001582		
	1.5	114020501620	114021001591		
	2.5	114020501618	114021001590		
silver plating  	4.0	114020501619	114021001581		
	0.14-0.37	114020501621	114021001592		
	0.5	114020501622	114021001593		
	0.75-1.0	114020501624	114021001595		
	1.5	114020501576	114021001550		
	2.5	114020501560	114021001533		
	4.0	114020501552	114021001525		
Description	Pressure connection diameter /scope of application	Type No.	Order No.		
Crimping tool 	0.14-4.0mm <sup>2</sup>	M22520/1-01(DMC)	531030600020		
Needle withdrawal tool 	16A Cold-pressed pin	HDC-HE-CX	113030400142		


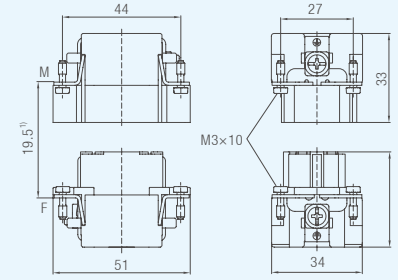
Wire gauges	Stripping Length
0.5mm <sup>2</sup>	AWG20 7.5mm
0.75mm <sup>2</sup>	AWG18 7.5mm
1mm <sup>2</sup>	AWG18 7.5mm
1.5mm <sup>2</sup>	AWG16 7.5mm
2.5mm <sup>2</sup>	AWG14 7.5mm
4mm <sup>2</sup>	AWG12 7.5mm
0.14-0.37mm <sup>2</sup>	AWG26-22 7.5mm

\*More pinholes can be found on pages 278-283, and more tools can be found on pages 274-277

Number of contacts

6 +


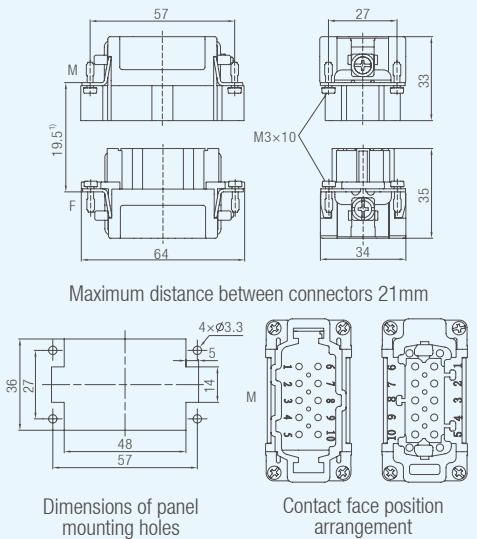


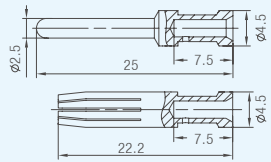
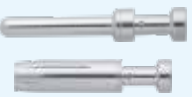


Shellsize:Matches the 6A/6B Shell

Description	Type No.	Order No.		Drawing	Dimensions in mm
		Male insert	Female insert		
screw connector  	HDC-HE6-M	113060100486		 <p>Maximum distance between connectors 21mm</p>	
	HDC-HE6-F	113060200473			

\*More pinholes can be found on pages 278-283, and more tools can be found on pages 274-277

**Number of contacts**
**10 +** 

Shellsize:Matches the 10A/10B Shell

Description	Type No.	Order No.		Drawing	Dimensions in mm																								
		Male insert	Female insert																										
Cold-pressed connection Cold-pressed pin need to be ordered separately 	HDC-HE10-MC	113060100503		 <p>Maximum distance between connectors 21mm</p> <p>Dimensions of panel mounting holes</p> <p>Contact face position arrangement</p>																									
	HDC-HE10-FC		113060200490																										
Description contact pairs	cross-section of conductor (mm <sup>2</sup> )	Order No.		Drawing	Dimensions in mm																								
		Male contact	Female contact																										
gold plating 	0.14-0.37	114020501613	114021001576		<table border="1"> <thead> <tr> <th colspan="2">Wire gauges</th> <th>Stripping Length</th> </tr> </thead> <tbody> <tr> <td>0.5mm<sup>2</sup></td> <td>AWG20</td> <td>7.5mm</td> </tr> <tr> <td>0.75mm<sup>2</sup></td> <td>AWG18</td> <td>7.5mm</td> </tr> <tr> <td>1mm<sup>2</sup></td> <td>AWG18</td> <td>7.5mm</td> </tr> <tr> <td>1.5mm<sup>2</sup></td> <td>AWG16</td> <td>7.5mm</td> </tr> <tr> <td>2.5mm<sup>2</sup></td> <td>AWG14</td> <td>7.5mm</td> </tr> <tr> <td>4mm<sup>2</sup></td> <td>AWG12</td> <td>7.5mm</td> </tr> <tr> <td>0.14-0.37mm<sup>2</sup></td> <td>AWG26-22</td> <td>7.5mm</td> </tr> </tbody> </table>	Wire gauges		Stripping Length	0.5mm <sup>2</sup>	AWG20	7.5mm	0.75mm <sup>2</sup>	AWG18	7.5mm	1mm <sup>2</sup>	AWG18	7.5mm	1.5mm <sup>2</sup>	AWG16	7.5mm	2.5mm <sup>2</sup>	AWG14	7.5mm	4mm <sup>2</sup>	AWG12	7.5mm	0.14-0.37mm <sup>2</sup>	AWG26-22	7.5mm
	Wire gauges		Stripping Length																										
	0.5mm <sup>2</sup>	AWG20	7.5mm																										
	0.75mm <sup>2</sup>	AWG18	7.5mm																										
	1mm <sup>2</sup>	AWG18	7.5mm																										
1.5mm <sup>2</sup>	AWG16	7.5mm																											
2.5mm <sup>2</sup>	AWG14	7.5mm																											
4mm <sup>2</sup>	AWG12	7.5mm																											
0.14-0.37mm <sup>2</sup>	AWG26-22	7.5mm																											
0.5	114020501612	114021001577																											
0.75-1.0	114020501610	114021001582																											
1.5	114020501620	114021001591																											
2.5	114020501618	114021001590																											
silver plating 	4.0	114020501619	114021001581																										
	0.14-0.37	114020501621	114021001592																										
	0.5	114020501622	114021001593																										
	0.75-1.0	114020501624	114021001595																										
	1.5	114020501576	114021001550																										
	2.5	114020501560	114021001533																										
	4.0	114020501552	114021001525																										
Description	Pressure connection diameter /scope of application	Type No.	Order No.																										
<b>Crimping tool</b> 	0.14-4.0mm <sup>2</sup>	M22520/1-01(DMC)	531030600020																										
<b>Needle withdrawal tool</b> 	16A Cold-pressed pin	HDC-HE-CX	113030400142																										


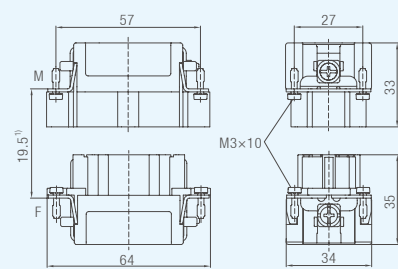

\*More pinholes can be found on pages 278-283, and more tools can be found on pages 274-277



Number of contacts

10 +


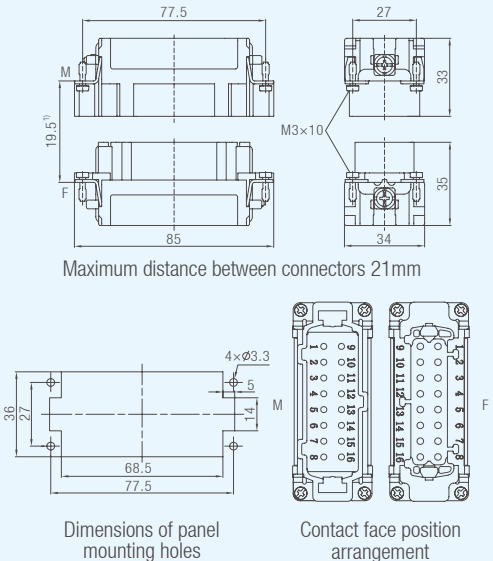


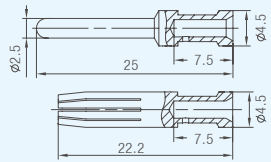
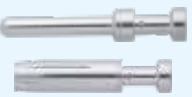


Shellsize:Matches the 10A/10B Shell

Description	Type No.	Order No.		Drawing	Dimensions in mm
		Male insert	Female insert		
screw connector 	HDC-HE10-M	113060100487		 <p>Maximum distance between connectors 21mm</p>	
	HDC-HE10-F	113060200474			

\*More pinholes can be found on pages 278-283, and more tools can be found on pages 274-277

**Number of contacts**
**16 +** 

Shellsize:Matches the 16A/16B Shell

Description	Type No.	Order No.		Drawing	Dimensions in mm
		Male insert	Female insert		
Cold-pressed connection Cold-pressed pin need to be ordered separately  	HDC-HE16-MC	113060100508		 <p>Maximum distance between connectors 21mm</p> <p>Dimensions of panel mounting holes</p> <p>Contact face position arrangement</p>	
		HDC-HE16-FC	113060200496		
Description contact pairs	cross-section of conductor (mm <sup>2</sup> )	Order No.		Drawing	Dimensions in mm
		Male contact	Female contact		
gold plating  	0.14-0.37	114020501613	114021001576		
	0.5	114020501612	114021001577		
	0.75-1.0	114020501610	114021001582		
	1.5	114020501620	114021001591		
	2.5	114020501618	114021001590		
silver plating  	4.0	114020501619	114021001581		
	0.14-0.37	114020501621	114021001592		
	0.5	114020501622	114021001593		
	0.75-1.0	114020501624	114021001595		
	1.5	114020501576	114021001550		
	2.5	114020501560	114021001533		
	4.0	114020501552	114021001525		
Description	Pressure connection diameter /scope of application	Type No.	Order No.		
<b>Crimping tool</b> 	0.14-4.0mm <sup>2</sup>	M22520/1-01(DMC)	531030600020		
<b>Needle withdrawal tool</b> 	16A Cold-pressed pin	HDC-HE-CX	113030400142		


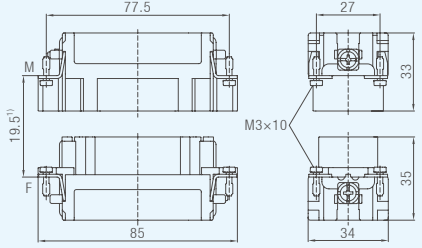
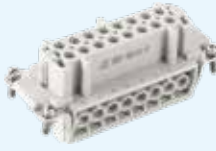
Wire gauges		Stripping Length
0.5mm <sup>2</sup>	AWG20	7.5mm
0.75mm <sup>2</sup>	AWG18	7.5mm
1mm <sup>2</sup>	AWG18	7.5mm
1.5mm <sup>2</sup>	AWG16	7.5mm
2.5mm <sup>2</sup>	AWG14	7.5mm
4mm <sup>2</sup>	AWG12	7.5mm
0.14-0.37mm <sup>2</sup>	AWG26-22	7.5mm

\*More pinholes can be found on pages 278-283, and more tools can be found on pages 274-277

Number of contacts

16 +

Shell size: Matches the 16A/16B Shell



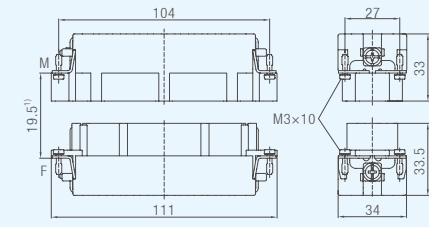
Description	Type No.	Order No.		Drawing	Dimensions in mm
		Male insert	Female insert		
screw connector 	HDC-HE16-M	113060100488		 <p>Maximum distance between connectors 21mm</p>	
	HDC-HE16-F	113060200475			


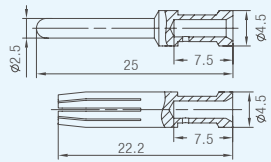
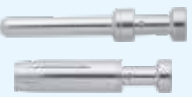
\*More pinholes can be found on pages 278-283, and more tools can be found on pages 274-277



Number of contacts

24 +

Shellsize:Matches the 24A/24B Shell

Description	Type No.	Order No.		Drawing	Dimensions in mm
		Male insert	Female insert		
Cold-pressed connection Cold-pressed pin need to be ordered separately    	HDC-HE24-MC	113060100524		 Maximum distance between connectors 21mm	
	HDC-HE24-FC		113060200514		

Description contact pairs	cross-section of conductor (mm <sup>2</sup> )	Order No.		Drawing	Dimensions in mm																								
		Male contact	Female contact																										
gold plating  	0.14-0.37	114020501613	114021001576																										
	0.5	114020501612	114021001577																										
	0.75-1.0	114020501610	114021001582																										
	1.5	114020501620	114021001591																										
	2.5	114020501618	114021001590																										
	4.0	114020501619	114021001581																										
silver plating  	0.14-0.37	114020501621	114021001592	<table border="1"> <thead> <tr> <th colspan="2">Wire gauges</th> <th>Stripping Length</th> </tr> </thead> <tbody> <tr> <td>0.5mm<sup>2</sup></td> <td>AWG20</td> <td>7.5mm</td> </tr> <tr> <td>0.75mm<sup>2</sup></td> <td>AWG18</td> <td>7.5mm</td> </tr> <tr> <td>1mm<sup>2</sup></td> <td>AWG18</td> <td>7.5mm</td> </tr> <tr> <td>1.5mm<sup>2</sup></td> <td>AWG16</td> <td>7.5mm</td> </tr> <tr> <td>2.5mm<sup>2</sup></td> <td>AWG14</td> <td>7.5mm</td> </tr> <tr> <td>4mm<sup>2</sup></td> <td>AWG12</td> <td>7.5mm</td> </tr> <tr> <td>0.14-0.37mm<sup>2</sup></td> <td>AWG26-22</td> <td>7.5mm</td> </tr> </tbody> </table>	Wire gauges		Stripping Length	0.5mm <sup>2</sup>	AWG20	7.5mm	0.75mm <sup>2</sup>	AWG18	7.5mm	1mm <sup>2</sup>	AWG18	7.5mm	1.5mm <sup>2</sup>	AWG16	7.5mm	2.5mm <sup>2</sup>	AWG14	7.5mm	4mm <sup>2</sup>	AWG12	7.5mm	0.14-0.37mm <sup>2</sup>	AWG26-22	7.5mm	
	Wire gauges		Stripping Length																										
	0.5mm <sup>2</sup>	AWG20	7.5mm																										
	0.75mm <sup>2</sup>	AWG18	7.5mm																										
	1mm <sup>2</sup>	AWG18	7.5mm																										
	1.5mm <sup>2</sup>	AWG16	7.5mm																										
2.5mm <sup>2</sup>	AWG14	7.5mm																											
4mm <sup>2</sup>	AWG12	7.5mm																											
0.14-0.37mm <sup>2</sup>	AWG26-22	7.5mm																											
0.5	114020501622	114021001593																											
0.75-1.0	114020501624	114021001595																											
1.5	114020501576	114021001550																											
2.5	114020501560	114021001533																											
4.0	114020501552	114021001525																											


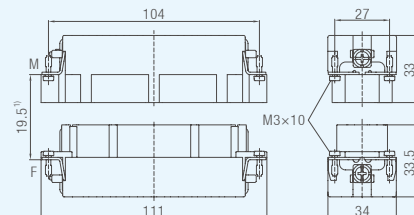
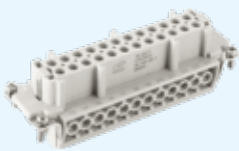
Description	Pressure connection diameter /scope of application	Type No.	Order No.
Crimping tool 	0.14-4.0mm <sup>2</sup>	M22520/1-01(DMC)	531030600020
Needle withdrawal tool 	16A Cold-pressed pin	HDC-HE-CX	113030400142

\*More pinholes can be found on pages 278-283, and more tools can be found on pages 274-277

Number of contacts

24 +

Shellsize:Matches the 24A/24B Shell

Description	Type No.	Order No.		Drawing	Dimensions in mm
		Male insert	Female insert		
<p>screw connector</p> 	HDC-HE24-M	113060100489		 <p>Maximum distance between connectors 21mm</p>	
	HDC-HE24-F	113060200476			

\*More pinholes can be found on pages 278-283, and more tools can be found on pages 274-277

Specifications / standard

	IEC 61984
Specifications	IEC 60664-1
	IEC 61373

Approvals

Inserts

Number of contacts 10, 18, 40, 46, 64

Electrical data acc.to IEC 61984

Rated Current 16A

Rated Voltage 500V

Rated impulse voltage 6kV

Insulation resistance  $\geq 10^{10}\Omega$

Pollution degree 3

Material Antiflaming PC

Limiting temperatures  $-40^{\circ}\text{C} \sim +125^{\circ}\text{C}$

Flame retardant rating EN 45545-2 R22&R23 HL3

Mechanical life  $\geq 500$

Contacts

Material Aldary

Surface treatment gold plating/silver plating

Contact resistance  $\leq 1\text{m}\Omega$

Cold-pressed connection

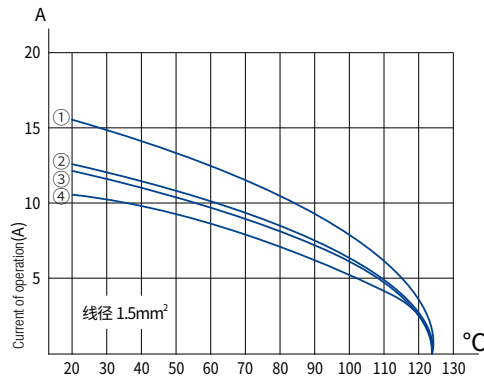
Conductor specification (0.14-0.37) -4.0mm<sup>2</sup>

AWG 24-12

Stripping Length 7.5mm

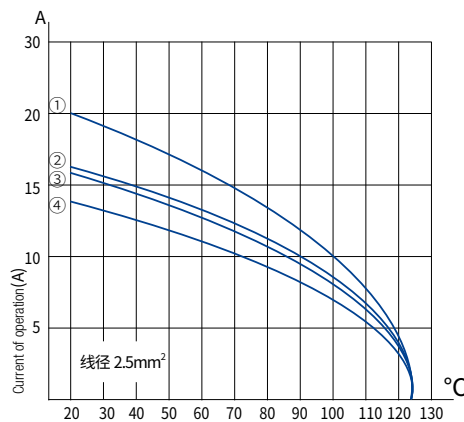
Current carrying capacity

The current carrying capacity of the connector is limited by the thermal load capacity of the contacts and insulating components. The derating curve shows that the current uniformly and continuously passes through each contact of the connector at a limited temperature that does not exceed the maximum allowable temperature. Test methods refer to DIN EN 60512-5



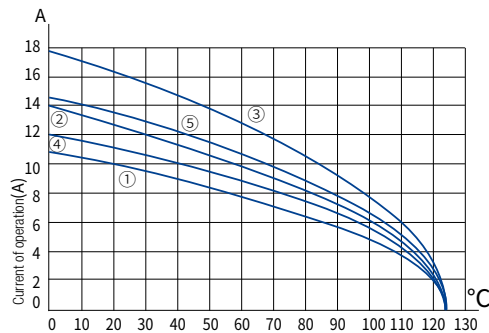
ambient temperature(°C)

- ① HDC-HE10A-MC/FC      ③ HDC-HE32-MC/FC
- ② HDC-HE18-MC/FC      ④ HDC-HE46-MC/FC



ambient temperature(°C)

- ① HDC-HE10A-MC/FC      ③ HDC-HE32-MC/FC
- ② HDC-HE18-MC/FC      ④ HDC-HE46-MC/FC



ambient temperature(°C)

- ① HDC-HE64-MC/FC-1.5mm<sup>2</sup>      ③ HDC-HE64-MC/FC-4.0mm<sup>2</sup>
- ② HDC-HE64-MC/FC-2.5mm<sup>2</sup>      ④ HDC-HE40-MC/FC-1.5mm<sup>2</sup>
- ⑤ HDC-HE40-MC/FC-2.5mm<sup>2</sup>

**Number of contacts**
**10 +** 

Shellsize:Matches the 6A/6B Shell

Description	Type No.	Order No.		Drawing	Dimensions in mm
		Male insert	Female insert		
	HDC-HE10A-MC	113060100515		<p>Maximum distance between connectors 21mm</p> <p>Dimensions of panel mounting holes</p> <p>Contact face position arrangement</p>	
	HDC-HE10A-FC	113060200505			

Description contact pairs	cross-section of conductor (mm <sup>2</sup> )	Order No.		Drawing	Dimensions in mm																										
		Male contact	Female contact																												
gold plating 	0.14-0.37	114020501613	114021001576	<table border="1"> <thead> <tr> <th colspan="2">Wire gauges</th> <th>Stripping Length</th> </tr> </thead> <tbody> <tr> <td>0.5mm<sup>2</sup></td> <td>AWG20</td> <td>7.5mm</td> </tr> <tr> <td>0.75mm<sup>2</sup></td> <td>AWG18</td> <td>7.5mm</td> </tr> <tr> <td>1mm<sup>2</sup></td> <td>AWG18</td> <td>7.5mm</td> </tr> <tr> <td>1.5mm<sup>2</sup></td> <td>AWG16</td> <td>7.5mm</td> </tr> <tr> <td>2.5mm<sup>2</sup></td> <td>AWG14</td> <td>7.5mm</td> </tr> <tr> <td>4mm<sup>2</sup></td> <td>AWG12</td> <td>7.5mm</td> </tr> <tr> <td>0.14-0.37mm<sup>2</sup></td> <td>AWG26-22</td> <td>7.5mm</td> </tr> </tbody> </table>	Wire gauges		Stripping Length	0.5mm <sup>2</sup>	AWG20	7.5mm	0.75mm <sup>2</sup>	AWG18	7.5mm	1mm <sup>2</sup>	AWG18	7.5mm	1.5mm <sup>2</sup>	AWG16	7.5mm	2.5mm <sup>2</sup>	AWG14	7.5mm	4mm <sup>2</sup>	AWG12	7.5mm	0.14-0.37mm <sup>2</sup>	AWG26-22	7.5mm	0.5	114020501612	114021001577
	Wire gauges		Stripping Length																												
	0.5mm <sup>2</sup>	AWG20	7.5mm																												
	0.75mm <sup>2</sup>	AWG18	7.5mm																												
	1mm <sup>2</sup>	AWG18	7.5mm																												
	1.5mm <sup>2</sup>	AWG16	7.5mm																												
2.5mm <sup>2</sup>	AWG14	7.5mm																													
4mm <sup>2</sup>	AWG12	7.5mm																													
0.14-0.37mm <sup>2</sup>	AWG26-22	7.5mm																													
silver plating 	0.75-1.0	114020501610	114021001582																												
	1.5	114020501620	114021001591																												
	2.5	114020501618	114021001590																												
	4.0	114020501619	114021001581																												
	0.14-0.37	114020501621	114021001592																												
	0.5	114020501622	114021001593																												
	0.75-1.0	114020501624	114021001595																												
	1.5	114020501576	114021001550																												
	2.5	114020501560	114021001533																												
	4.0	114020501552	114021001525																												

Description	Pressure connection diameter /scope of application	Type No.	Order No.
<b>Crimping tool</b> 	0.14-4.0mm <sup>2</sup>	M22520/1-01(DMC)	531030600020
<b>Needle withdrawal tool</b> 	16A Cold-pressed pin	HDC-HE-CX	113030400142

\*More pinholes can be found on pages 278-283, and more tools can be found on pages 274-277

**Number of contacts**
**18 +**

Shellsize:Matches the 10A/10B Shell

Description	Type No.	Order No.		Drawing	Dimensions in mm
		Male insert	Female insert		
	HDC-HE18-MC	113060100516		<p>Maximum distance between connectors 21mm</p> <p>Dimensions of panel mounting holes</p> <p>Contact face position arrangement</p>	
	HDC-HE18-FC		113060200506		

Description contact pairs	cross-section of conductor (mm <sup>2</sup> )	Order No.		Drawing	Dimensions in mm																							
		Male contact	Female contact																									
gold plating 	0.14-0.37	114020501613	114021001576																									
	0.5	114020501612	114021001577																									
	0.75-1.0	114020501610	114021001582																									
	1.5	114020501620	114021001591																									
	2.5	114020501618	114021001590																									
silver plating 	4.0	114020501619	114021001581	<table border="1"> <thead> <tr> <th colspan="2">Wire gauges</th> <th>Stripping Length</th> </tr> </thead> <tbody> <tr> <td>0.5mm<sup>2</sup></td> <td>AWG20</td> <td>7.5mm</td> </tr> <tr> <td>0.75mm<sup>2</sup></td> <td>AWG18</td> <td>7.5mm</td> </tr> <tr> <td>1mm<sup>2</sup></td> <td>AWG18</td> <td>7.5mm</td> </tr> <tr> <td>1.5mm<sup>2</sup></td> <td>AWG16</td> <td>7.5mm</td> </tr> <tr> <td>2.5mm<sup>2</sup></td> <td>AWG14</td> <td>7.5mm</td> </tr> <tr> <td>4mm<sup>2</sup></td> <td>AWG12</td> <td>7.5mm</td> </tr> <tr> <td>0.14-0.37mm<sup>2</sup></td> <td>AWG26-22</td> <td>7.5mm</td> </tr> </tbody> </table>	Wire gauges		Stripping Length	0.5mm <sup>2</sup>	AWG20	7.5mm	0.75mm <sup>2</sup>	AWG18	7.5mm	1mm <sup>2</sup>	AWG18	7.5mm	1.5mm <sup>2</sup>	AWG16	7.5mm	2.5mm <sup>2</sup>	AWG14	7.5mm	4mm <sup>2</sup>	AWG12	7.5mm	0.14-0.37mm <sup>2</sup>	AWG26-22	7.5mm
	Wire gauges		Stripping Length																									
	0.5mm <sup>2</sup>	AWG20	7.5mm																									
	0.75mm <sup>2</sup>	AWG18	7.5mm																									
	1mm <sup>2</sup>	AWG18	7.5mm																									
1.5mm <sup>2</sup>	AWG16	7.5mm																										
2.5mm <sup>2</sup>	AWG14	7.5mm																										
4mm <sup>2</sup>	AWG12	7.5mm																										
0.14-0.37mm <sup>2</sup>	AWG26-22	7.5mm																										
0.14-0.37	114020501621	114021001592																										
0.5	114020501622	114021001593																										
0.75-1.0	114020501624	114021001595																										
1.5	114020501576	114021001550																										
2.5	114020501560	114021001533																										
4.0	114020501552	114021001525																										

Description	Pressure connection diameter /scope of application	Type No.	Order No.
<b>Crimping tool</b> 	0.14-4.0mm <sup>2</sup>	M22520/1-01(DMC)	531030600020
<b>Needle withdrawal tool</b> 	16A Cold-pressed pin	HDC-HE-CX	113030400142

\*More pinholes can be found on pages 278-283, and more tools can be found on pages 274-277



Number of contacts

32 +

Shellsize:Matches the 16A/16B Shell

Description	Type No.	Order No.		Drawing	Dimensions in mm
		Male insert	Female insert		
	HDC-HE32-MC	113060100517		<p>Maximum distance between connectors 21mm</p>	
	HDC-HE32-FC	113060200507			
				<p>Dimensions of panel mounting holes</p>	<p>Contact face position arrangement</p>

Description contact pairs	cross-section of conductor (mm <sup>2</sup> )	Order No.		Drawing	Dimensions in mm																							
		Male contact	Female contact																									
gold plating 	0.14-0.37	114020501613	114021001576																									
	0.5	114020501612	114021001577																									
	0.75-1.0	114020501610	114021001582																									
	1.5	114020501620	114021001591																									
	2.5	114020501618	114021001590																									
silver plating 	4.0	114020501619	114021001581																									
	0.14-0.37	114020501621	114021001592	<table border="1"> <thead> <tr> <th colspan="2">Wire gauges</th> <th>Stripping Length</th> </tr> </thead> <tbody> <tr> <td>0.5mm<sup>2</sup></td> <td>AWG20</td> <td>7.5mm</td> </tr> <tr> <td>0.75mm<sup>2</sup></td> <td>AWG18</td> <td>7.5mm</td> </tr> <tr> <td>1mm<sup>2</sup></td> <td>AWG18</td> <td>7.5mm</td> </tr> <tr> <td>1.5mm<sup>2</sup></td> <td>AWG16</td> <td>7.5mm</td> </tr> <tr> <td>2.5mm<sup>2</sup></td> <td>AWG14</td> <td>7.5mm</td> </tr> <tr> <td>4mm<sup>2</sup></td> <td>AWG12</td> <td>7.5mm</td> </tr> <tr> <td>0.14-0.37mm<sup>2</sup></td> <td>AWG26-22</td> <td>7.5mm</td> </tr> </tbody> </table>	Wire gauges		Stripping Length	0.5mm <sup>2</sup>	AWG20	7.5mm	0.75mm <sup>2</sup>	AWG18	7.5mm	1mm <sup>2</sup>	AWG18	7.5mm	1.5mm <sup>2</sup>	AWG16	7.5mm	2.5mm <sup>2</sup>	AWG14	7.5mm	4mm <sup>2</sup>	AWG12	7.5mm	0.14-0.37mm <sup>2</sup>	AWG26-22	7.5mm
	Wire gauges		Stripping Length																									
	0.5mm <sup>2</sup>	AWG20	7.5mm																									
	0.75mm <sup>2</sup>	AWG18	7.5mm																									
1mm <sup>2</sup>	AWG18	7.5mm																										
1.5mm <sup>2</sup>	AWG16	7.5mm																										
2.5mm <sup>2</sup>	AWG14	7.5mm																										
4mm <sup>2</sup>	AWG12	7.5mm																										
0.14-0.37mm <sup>2</sup>	AWG26-22	7.5mm																										
0.5	114020501622	114021001593																										
0.75-1.0	114020501624	114021001595																										
1.5	114020501576	114021001550																										
2.5	114020501560	114021001533																										
4.0	114020501552	114021001525																										

Description	Pressure connection diameter /scope of application	Type No.	Order No.
Crimping tool	0.14-4.0mm <sup>2</sup>	M22520/1-01(DMC)	531030600020
Needle withdrawal tool	16A Cold-pressed pin	HDC-HE-CX	113030400142

\*More pinholes can be found on pages 278-283, and more tools can be found on pages 274-277

**Number of contacts**
**46 +** 

Shellsize:Matches the 24A/24B Shell

Description	Type No.	Order No.		Drawing	Dimensions in mm																							
		Male insert	Female insert																									
	HDC-HE46-MC	112022000887		<p>Maximum distance between connectors 21mm</p> <p>Dimensions of panel mounting holes</p> <p>Contact face position arrangement</p>																								
	HDC-HE46-FC		112012000619																									
Description contact pairs	cross-section of conductor (mm <sup>2</sup> )	Order No.		Drawing	Dimensions in mm																							
		Male contact	Female contact																									
gold plating 	0.14-0.37	114020501613	114021001576	<table border="1"> <thead> <tr> <th colspan="2">Wire gauges</th> <th>Stripping Length</th> </tr> </thead> <tbody> <tr> <td>0.5mm<sup>2</sup></td> <td>AWG20</td> <td>7.5mm</td> </tr> <tr> <td>0.75mm<sup>2</sup></td> <td>AWG18</td> <td>7.5mm</td> </tr> <tr> <td>1mm<sup>2</sup></td> <td>AWG18</td> <td>7.5mm</td> </tr> <tr> <td>1.5mm<sup>2</sup></td> <td>AWG16</td> <td>7.5mm</td> </tr> <tr> <td>2.5mm<sup>2</sup></td> <td>AWG14</td> <td>7.5mm</td> </tr> <tr> <td>4mm<sup>2</sup></td> <td>AWG12</td> <td>7.5mm</td> </tr> <tr> <td>0.14-0.37mm<sup>2</sup></td> <td>AWG26-22</td> <td>7.5mm</td> </tr> </tbody> </table>	Wire gauges		Stripping Length	0.5mm <sup>2</sup>	AWG20	7.5mm	0.75mm <sup>2</sup>	AWG18	7.5mm	1mm <sup>2</sup>	AWG18	7.5mm	1.5mm <sup>2</sup>	AWG16	7.5mm	2.5mm <sup>2</sup>	AWG14	7.5mm	4mm <sup>2</sup>	AWG12	7.5mm	0.14-0.37mm <sup>2</sup>	AWG26-22	7.5mm
	Wire gauges		Stripping Length																									
	0.5mm <sup>2</sup>	AWG20	7.5mm																									
	0.75mm <sup>2</sup>	AWG18	7.5mm																									
	1mm <sup>2</sup>	AWG18	7.5mm																									
1.5mm <sup>2</sup>	AWG16	7.5mm																										
2.5mm <sup>2</sup>	AWG14	7.5mm																										
4mm <sup>2</sup>	AWG12	7.5mm																										
0.14-0.37mm <sup>2</sup>	AWG26-22	7.5mm																										
0.5	114020501612	114021001577																										
0.75-1.0	114020501610	114021001582																										
1.5	114020501620	114021001591																										
2.5	114020501618	114021001590																										
4.0	114020501619	114021001581																										
silver plating 	0.14-0.37	114020501621	114021001592																									
	0.5	114020501622	114021001593																									
	0.75-1.0	114020501624	114021001595																									
	1.5	114020501576	114021001550																									
	2.5	114020501560	114021001533																									
4.0	114020501552	114021001525																										
Description	Pressure connection diameter /scope of application	Type No.	Order No.																									
<b>Crimping tool</b> 	0.14-4.0mm <sup>2</sup>	M22520/1-01(DMC)	531030600020																									
<b>Needle withdrawal tool</b> 	16A Cold-pressed pin	HDC-HE-CX	113030400142																									

\*More pinholes can be found on pages 278-283, and more tools can be found on pages 274-277

**Number of contacts**
**40 +**

Shellsize:Matches the 16A/16B Shell

Description	Type No.	Order No.		Drawing	Dimensions in mm
		Male insert	Female insert		
	HDC-HE40-MC	113060100484		<p>Maximum distance between connectors 21mm</p> <p>Dimensions of panel mounting holes</p> <p>Contact face position arrangement</p>	
	HDC-HE40-FC	113060200472			

Description contact pairs	cross-section of conductor (mm <sup>2</sup> )	Order No.		Drawing	Dimensions in mm																										
		Male contact	Female contact																												
gold plating 	0.14-0.37	114020501613	114021001576	<table border="1"> <thead> <tr> <th colspan="2">Wire gauges</th> <th>Stripping Length</th> </tr> </thead> <tbody> <tr> <td>0.5mm<sup>2</sup></td> <td>AWG20</td> <td>7.5mm</td> </tr> <tr> <td>0.75mm<sup>2</sup></td> <td>AWG18</td> <td>7.5mm</td> </tr> <tr> <td>1mm<sup>2</sup></td> <td>AWG18</td> <td>7.5mm</td> </tr> <tr> <td>1.5mm<sup>2</sup></td> <td>AWG16</td> <td>7.5mm</td> </tr> <tr> <td>2.5mm<sup>2</sup></td> <td>AWG14</td> <td>7.5mm</td> </tr> <tr> <td>4mm<sup>2</sup></td> <td>AWG12</td> <td>7.5mm</td> </tr> <tr> <td>0.14-0.37mm<sup>2</sup></td> <td>AWG26-22</td> <td>7.5mm</td> </tr> </tbody> </table>	Wire gauges		Stripping Length	0.5mm <sup>2</sup>	AWG20	7.5mm	0.75mm <sup>2</sup>	AWG18	7.5mm	1mm <sup>2</sup>	AWG18	7.5mm	1.5mm <sup>2</sup>	AWG16	7.5mm	2.5mm <sup>2</sup>	AWG14	7.5mm	4mm <sup>2</sup>	AWG12	7.5mm	0.14-0.37mm <sup>2</sup>	AWG26-22	7.5mm	0.5	114020501612	114021001577
	Wire gauges		Stripping Length																												
	0.5mm <sup>2</sup>	AWG20	7.5mm																												
	0.75mm <sup>2</sup>	AWG18	7.5mm																												
	1mm <sup>2</sup>	AWG18	7.5mm																												
	1.5mm <sup>2</sup>	AWG16	7.5mm																												
2.5mm <sup>2</sup>	AWG14	7.5mm																													
4mm <sup>2</sup>	AWG12	7.5mm																													
0.14-0.37mm <sup>2</sup>	AWG26-22	7.5mm																													
silver plating 	0.75-1.0	114020501610	114021001582																												
	1.5	114020501620	114021001591																												
	2.5	114020501618	114021001590																												
	4.0	114020501619	114021001581																												
silver plating 	0.14-0.37	114020501621	114021001592																												
	0.5	114020501622	114021001593																												
	0.75-1.0	114020501624	114021001595																												
	1.5	114020501576	114021001550																												
	2.5	114020501560	114021001533																												
	4.0	114020501552	114021001525																												

Description	Pressure connection diameter /scope of application	Type No.	Order No.
<b>Crimping tool</b> 	0.14-4.0mm <sup>2</sup>	M22520/1-01(DMC)	531030600020
<b>Needle withdrawal tool</b> 	16A Cold-pressed pin	HDC-HE-CX	113030400142

\*More pinholes can be found on pages 278-283, and more tools can be found on pages 274-277

**Number of contacts**
**64 +** 

Shellsize: Matches the 24A/24B Shell

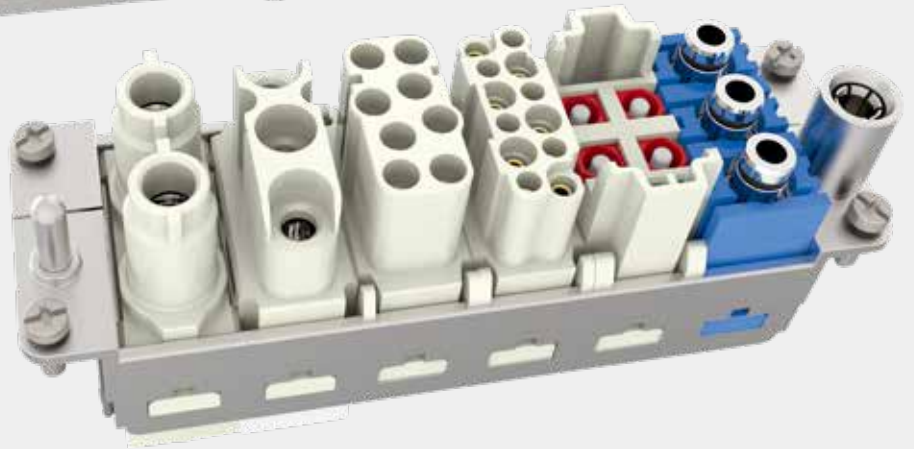
Description	Type No.	Order No.		Drawing	Dimensions in mm
		Male insert	Female insert		
	HDC-HE64-MC	113060100522		<p>Maximum distance between connectors 21mm</p> <p>Dimensions of panel mounting holes</p> <p>Contact face position arrangement</p>	
	HDC-HE64-FC		113060200512		

Description contact pairs	cross-section of conductor (mm <sup>2</sup> )	Order No.		Drawing	Dimensions in mm																										
		Male contact	Female contact																												
gold plating 	0.14-0.37	114020501613	114021001576	<table border="1"> <thead> <tr> <th colspan="2">Wire gauges</th> <th>Stripping Length</th> </tr> </thead> <tbody> <tr> <td>0.5mm<sup>2</sup></td> <td>AWG20</td> <td>7.5mm</td> </tr> <tr> <td>0.75mm<sup>2</sup></td> <td>AWG18</td> <td>7.5mm</td> </tr> <tr> <td>1mm<sup>2</sup></td> <td>AWG18</td> <td>7.5mm</td> </tr> <tr> <td>1.5mm<sup>2</sup></td> <td>AWG16</td> <td>7.5mm</td> </tr> <tr> <td>2.5mm<sup>2</sup></td> <td>AWG14</td> <td>7.5mm</td> </tr> <tr> <td>4mm<sup>2</sup></td> <td>AWG12</td> <td>7.5mm</td> </tr> <tr> <td>0.14-0.37mm<sup>2</sup></td> <td>AWG26-22</td> <td>7.5mm</td> </tr> </tbody> </table>	Wire gauges		Stripping Length	0.5mm <sup>2</sup>	AWG20	7.5mm	0.75mm <sup>2</sup>	AWG18	7.5mm	1mm <sup>2</sup>	AWG18	7.5mm	1.5mm <sup>2</sup>	AWG16	7.5mm	2.5mm <sup>2</sup>	AWG14	7.5mm	4mm <sup>2</sup>	AWG12	7.5mm	0.14-0.37mm <sup>2</sup>	AWG26-22	7.5mm	0.5	114020501612	114021001577
	Wire gauges		Stripping Length																												
	0.5mm <sup>2</sup>	AWG20	7.5mm																												
	0.75mm <sup>2</sup>	AWG18	7.5mm																												
	1mm <sup>2</sup>	AWG18	7.5mm																												
	1.5mm <sup>2</sup>	AWG16	7.5mm																												
2.5mm <sup>2</sup>	AWG14	7.5mm																													
4mm <sup>2</sup>	AWG12	7.5mm																													
0.14-0.37mm <sup>2</sup>	AWG26-22	7.5mm																													
0.75-1.0	114020501610	114021001582																													
1.5	114020501620	114021001591																													
2.5	114020501618	114021001590																													
4.0	114020501619	114021001581																													
silver plating 	0.14-0.37	114020501621	114021001592																												
	0.5	114020501622	114021001593																												
	0.75-1.0	114020501624	114021001595																												
	1.5	114020501576	114021001550																												
	2.5	114020501560	114021001533																												
	4.0	114020501552	114021001525																												

Description	Pressure connection diameter /scope of application	Type No.	Order No.
<b>Crimping tool</b> 	0.14-4.0mm <sup>2</sup>	M22520/1-01(DMC)	531030600020
<b>Needle withdrawal tool</b> 	16A Cold-pressed pin	HDC-HE-CX	113030400142



\*More pinholes can be found on pages 278-283, and more tools can be found on pages 274-277






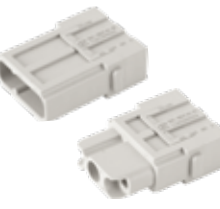


## M Series Connector










M Series



Series	HDC-HM 铰接框			
Description				
Type No.	HDC-HM-6B	HDC-HM-10B	HDC-HM-16B	HDC-HM-24B
Number of modules	Number of modules2	Number of modules3	Number of modules4	Number of modules6
铰接框 (a-f)	113040200056	113040200057	113040200058	113040200046
铰接框 (A-F)	113040200051	113040200049	113040200050	113040200047

Series	HDC-HM Insert			
Description				
Type No.	HDC-HMD12	HDC-HMD17	HDC-HMD36	HDC-HMD42
mode of connection	Cold-pressed connection	Cold-pressed connection	Cold-pressed connection	Cold-pressed connection
Number of contacts	12	17	36	42
Electrical data according to DIN EN 61984	10A 250V 4kV 3	10A 160V 2.5kV 3	10A 400V 6kV 3	10A 150V 2.5kV 3
Wiring specification	(0.14-0.37) -2.5mm <sup>2</sup>	(0.14-0.37) -2.5mm <sup>2</sup>	(0.14-0.37) -2.5mm <sup>2</sup>	(0.14-0.37) -2.5mm <sup>2</sup>
Male contacts	114060102289	114060101582	114060102809	114060102653
Female contacts	114060202117	114060201492	114060202557	114060202417


Series	HDC-HM Insert			
Description				
Type No.	HDC-HME6	HDC-HMEV6	HDC-HME8	HDC-HME20
mode of connection	Cold-pressed connection	Cold-pressed connection	Cold-pressed connection	Cold-pressed connection
Number of contacts	6	6	8	20
Electrical data according to DIN EN 61984	16A 500V 6kV 3	16A 830V 8kV 3	16A 400V 6kV 3	16A 160V 6kV 3
Wiring specification	(0.14-0.37) -4mm <sup>2</sup>	(0.14-0.37) -4mm <sup>2</sup>	(0.14-0.37) -4mm <sup>2</sup>	(0.14-0.37) -4mm <sup>2</sup>
Male contacts	112012000427	113060100473	113060100472	113060100479
Female contacts	112022000638	113060200462	113060200461	113060200468
Description				
Type No.	HDC-HM2C40	HDC-HM3C40	HDC-HM4C40	HDC-HMC3/4
mode of connection	Cold-pressed connection	Cold-pressed connection	Cold-pressed connection	Cold-pressed connection
Number of contacts	2	3	4	3/4
Electrical data according to DIN EN 61984	40A 1000V 8kV 3	40A 500V 6kV 3	40A 830V 8kV 3	40/10A 830V 8kV 3
Wiring specification	1.5-10mm <sup>2</sup>	1.5-6mm <sup>2</sup>	1.5-6mm <sup>2</sup>	1.5-6mm <sup>2</sup>
Male contacts	113060100492	112012000341	113060100289	113060100475
Female contacts	113060200478	112022000554	114060201181	113060200464

Series	HDC-HM Insert			
Description				
Type No.	HDC-HM2C70	HDC-HM1C100	HDC-HM2C100	HDC-HM200
mode of connection	Cold-pressed connection	Cold-pressed connection	Cold-pressed connection	Cold-pressed connection
Number of contacts	2	1	2	1
Electrical data according to DIN EN 61984	70A 1000V 8kV 3	100A 1000V 8kV 3	100A 1000V 8kV 3	200A 1000V 8kV 3
Wiring specification	6-25mm <sup>2</sup>	6-35mm <sup>2</sup>	6-35mm <sup>2</sup>	35-70mm <sup>2</sup>
Male contacts	113060100459	114060102374	114060102133	114060202036
Female contacts	113060200443	114060202203	114060201999	114060102192
Description				
Type No.	HDC-HMVE2	HDC-HMVC2	HDC-HMVE2(70A)	
mode of connection	Cold-pressed connection	Cold-pressed connection	Cold-pressed connection	
Number of contacts	2	2	2	
Electrical data according to DIN EN 61984	16A 2900/5000V 15kV 3	40A 2900/5000V 15kV 3	16A 2500V 15kV 3	
Wiring specification	(0.14-0.37) -4mm <sup>2</sup>	1.5-10mm <sup>2</sup>	(0.14-0.37) -4mm <sup>2</sup>	
Male contacts	113060100507	113060100505	113060100506	
Female contacts	113060200495	113060200493	113060200494	





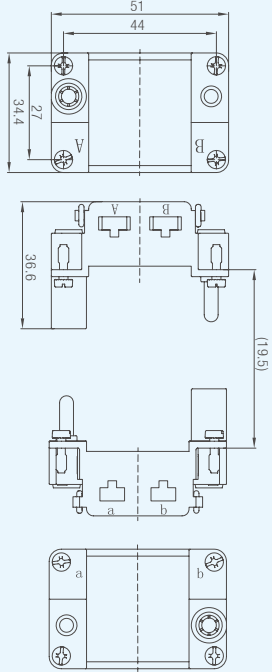
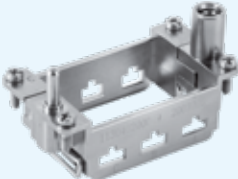
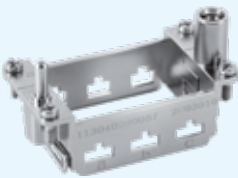
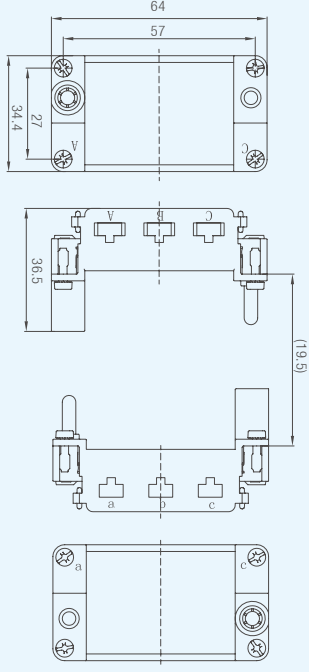
Series	网络与信号模块		
Description			
Type No.	HDC-HMMB	HDC-HMMB	HDC-HMTB8
mode of connection	Cold-pressed connection	Cold-pressed connection	Cold-pressed connection
Number of contacts	2x4	8	2x8
Male module	114060102599	114060102599	113020101276
Female module	114060202370	114060202370	113020601819
Description			
Electrical data according to DIN EN 61984	10A 50V 0.8kV 3 100Mbit/s	5A 50V 0.8kV 3 10000Mbit/s	0.5A 50V 0.8kV 3 10000Mbit/s
Wiring specification	0.14-2.5mm <sup>2</sup>	0.14-0.5mm <sup>2</sup>	0.14-0.34mm <sup>2</sup>
Male contacts	112010103653	112010103884	113020101271
Female contacts	112020104063	112020104331	113020601815
Description			
Type No.	HDC-HMRJ45	HDC-HM25	HDC-HMDB9
mode of connection	Cable connection	Cold-pressed connection	Cold-pressed connection
Number of contacts	1x8	25	9
Electrical data according to DIN EN 61984	1A 50V 0.8kV 3 10000Mbit/s	5A 50V 0.8kV 3	5A 50V 0.8kV 3
Wiring specification	5类 /6类	0.14-0.5mm <sup>2</sup>	0.14-0.5mm <sup>2</sup>
Male contacts	114069803373	113060100509	113060100510
Female contacts	114069803374	113060200498	113060200499

Series	Pneumatic module		Transceiver module
Description			
Type No.	HDC-HMP3		HDC-HMSC4
Number of contacts	3		4
Male contacts	114060102419		113990001008
Female contacts			113990001007
Description			
Type No.	HDC-HMP( 4)	HDC-HMP( 6)	
technical specification	MWP 8bar/116psi		insertion loss<0.5dB
Male contacts	113020101123	113020101122	113990000927
Female contacts	113020601618	113020601617	

	接地模块	
Description		
Type No.	HDC-HMPE	HDC-HMPE
mode of connection	Cold-pressed connection	Screw connection
Number of contacts	1	1
technical specification	10-35mm <sup>2</sup> /zinc alloy	1.5-16mm <sup>2</sup>
Male contacts	See details page	113060200654
Female contacts		113060200655

Technical specification

Number of modules	2, 3, 4, 6	Limiting temperatures	-40°C~ +125°C
Material	Zinc die-casting	Mechanical life	≥ 500

Description	Type No.	Order No.		Drawing	Dimensions in mm
		公端	母端		
<p>HDC-HM-6B Hinged Frame</p>  	<p>HDC-HM-6B(A-B)</p> <p>HDC-HM-6B(a-b)</p>	<p>113040200051</p>	<p>母端</p> <p>113040200056</p>	 <p>Shellsize:Matches the 6A/6B Shell</p>	
<p>HDC-HM-10B Hinged Frame</p>  	<p>HDC-HM-10B(A-C)</p> <p>HDC-HM-10B(a-c)</p>	<p>113040200049</p>	<p>母端</p> <p>113040200057</p>	 <p>Shellsize:Matches the 10A/10B Shell</p>	

Shell / Series A  
 Shell / Series B  
 Shell / Series P  
 Insert / Series D  
 Insert / Series E  
**Insert / Series M**  
 Insert / Series H  
 Insert / Series Q  
 Insert / Series K (Hybrid)  
 Insert / Series C  
 Insert / Anti-Open Circuit  
 Accessory

Description	Type No.	Order No.		Drawing	Dimensions in mm
		公端	母端		
<p>HDC-HM-16B Hinged Frame</p>	HDC-HM-16B(A-D)	113040200050			
	HDC-HM-16B(a-d)		113040200058		
<p>HDC-HM-24B Hinged Frame</p>	HDC-HM-24B(A-F)	113040200047			
	HDC-HM-24B(a-f)		113040200046		
<p>Filling module</p>	YG9140009950	114069800001			

Specifications / standard

	IEC 61984
Specifications	IEC 60664-1
	IEC 61373
Approvals	

Inserts

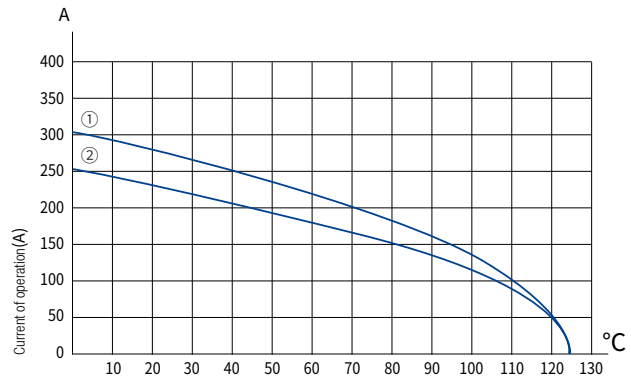
Number of contacts	1
Electrical data acc.to IEC 61984	
Rated Current	200A
Rated Voltage	1000V
Insulation resistance	$\geq 10^{10}\Omega$
Rated impluse voltage	8kV
Pollution degree	3
Material	Antiflaming PC
Limiting temperatures	-40°C~ +125°C
Flame retardant rating	EN 45545-2 R22&R23 HL3
Mechanical life	$\geq 500$

Contacts


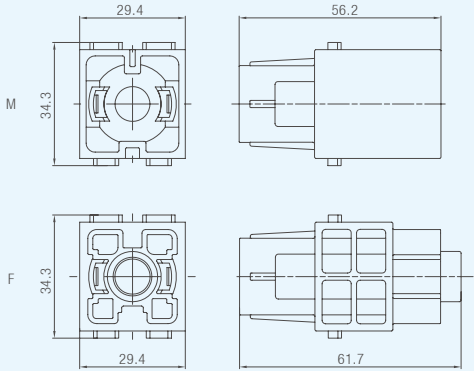


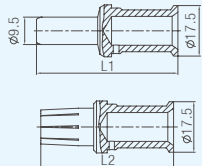


Material	Aldary
Surface treatment	silver plating
Contact resistance	$\leq 0.3m\Omega$
Cold-pressed connection	
Conductor specification	16-70mm <sup>2</sup>

Current carrying capacity

The current carrying capacity of the connector is limited by the thermal load capacity of the contacts and insulating components. The derating curve displays a limited amount of current uniformly and continuously through each contact of the connector at a temperature not exceeding the maximum allowed temperature. Test methods refer to DIN EN 60512-5.



ambient temperature(°C)  
 ① 24B Shell With 3 module, Section surface: 70mm<sup>2</sup>  
 ② 24B Shell With 3 module, Section surface: 50mm<sup>2</sup>

Description	Type No.	Order No.		Drawing	Dimensions in mm																										
		Male insert	Female insert																												
Cold-pressed connection Cold-pressed pin Order separately  	HDC-HM200-MC	114060202036																													
		HDC-HM200-FC			114060102192																										
Description contact pairs	sectional area (mm <sup>2</sup> )	Order No.		Drawing	Dimensions in mm																										
		Male contact	Female contact																												
	16	114020502524	114021002519	 <table border="1" data-bbox="992 1149 1396 1392"> <thead> <tr> <th>Conductor crosssectional area</th> <th>L1</th> <th>L2</th> <th>Stripping Length</th> </tr> </thead> <tbody> <tr> <td>16mm<sup>2</sup></td> <td>46mm</td> <td>43mm</td> <td>20mm</td> </tr> <tr> <td>25mm<sup>2</sup></td> <td>46mm</td> <td>43mm</td> <td>20mm</td> </tr> <tr> <td>35mm<sup>2</sup></td> <td>46mm</td> <td>43mm</td> <td>20mm</td> </tr> <tr> <td>50mm<sup>2</sup></td> <td>49mm</td> <td>46mm</td> <td>23mm</td> </tr> <tr> <td>70mm<sup>2</sup></td> <td>49mm</td> <td>46mm</td> <td>23mm</td> </tr> </tbody> </table>	Conductor crosssectional area	L1	L2	Stripping Length	16mm <sup>2</sup>	46mm	43mm	20mm	25mm <sup>2</sup>	46mm	43mm	20mm	35mm <sup>2</sup>	46mm	43mm	20mm	50mm <sup>2</sup>	49mm	46mm	23mm	70mm <sup>2</sup>	49mm	46mm	23mm			
	Conductor crosssectional area	L1	L2		Stripping Length																										
	16mm <sup>2</sup>	46mm	43mm		20mm																										
	25mm <sup>2</sup>	46mm	43mm		20mm																										
	35mm <sup>2</sup>	46mm	43mm		20mm																										
50mm <sup>2</sup>	49mm	46mm	23mm																												
70mm <sup>2</sup>	49mm	46mm	23mm																												
	25	114020502677	114021002625																												
	35	114020502173	114021002162																												
	50	114020502174	114021002163																												
	70	114020502175	114021002164																												
Description	Pressure connection diameter /scope of application	Type No.	Order No.																												
<b>Crimping tool</b> 	6-120mm <sup>2</sup> Use with crimping tooling	EK60/22	Go to page 298																												
<b>Needle withdrawal tool</b> 	200A Cold-pressed pin	HDC-HM2C100-CX	112980003651																												

\*More pinholes can be found on pages 278-283, and more tools can be found on pages 274-277

**Specifications / standard**

	IEC 61984
Specifications	IEC 60664-1
	IEC 61373
Approvals	

**Inserts**

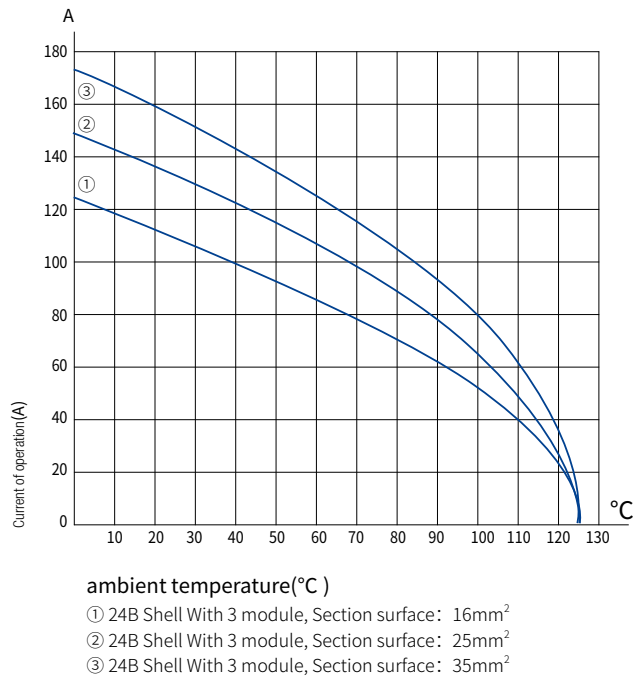
Number of contacts	2
Electrical data acc.to IEC 61984	
Rated Current	100A
Rated Voltage	1000V
Insulation resistance	$\geq 10^{10}\Omega$
Rated impluse voltage	8kV
Pollution degree	3
Material	Antiflaming PC
Limiting temperatures	-40°C~ +125°C
Flame retardant rating	EN 45545-2 R22&R23 HL3
Mechanical life	$\geq 500$


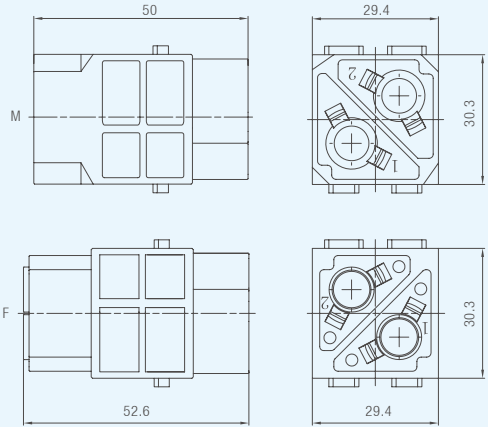
**Contacts**

Material	Aldary
Surface treatment	silver plating
Contact resistance	$\leq 0.3m\Omega$
Cold-pressed connection	
Conductor specification	6-35mm <sup>2</sup>

**Current carrying capacity**



The current carrying capacity of the connector is limited by the thermal load capacity of the contacts and insulating components. The derating curve displays a limited amount of current uniformly and continuously through each contact of the connector at a temperature not exceeding the maximum allowed temperature. Test methods refer to DIN EN 60512-5.



Description	Type No.	Order No.		Drawing	Dimensions in mm
		Male insert	Female insert		
Cold-pressed connection Cold-pressed pin Order separately 	HDC-HM2C100-MC	114060102133			
	HDC-HM2C100-FC		114060201999		

Description contact pairs	sectional area (mm <sup>2</sup> )	Order No.		Drawing	Dimensions in mm
		Male contact	Female contact		
	6	114020502321	114021002302		
	10	114020502112	114021002102		
	16	114020502113	114021002103		
	25	114020502114	114021002104		
	35	114020502115	114021002105		

Wire gauges		Stripping Length
6mm <sup>2</sup>	AWG10	20mm
10mm <sup>2</sup>	AWG8	20mm
16mm <sup>2</sup>	AWG5	20mm
25mm <sup>2</sup>	AWG3	20mm
35mm <sup>2</sup>	AWG2	20mm

Description	Pressure connection diameter /scope of application	Type No.	Order No.
<b>Crimping tool</b> 	6-120mm <sup>2</sup> Use with crimping tooling	EK60/22	Go to page 298
<b>Needle withdrawal tool</b> 	100A Cold-pressed pin	HDC-HM2C100-CX	112980003651

\*More pinholes can be found on pages 278-283, and more tools can be found on pages 274-277



**Specifications / standard**

	IEC 61984
Specifications	IEC 60664-1
	IEC 61373
Approvals	

**Inserts**

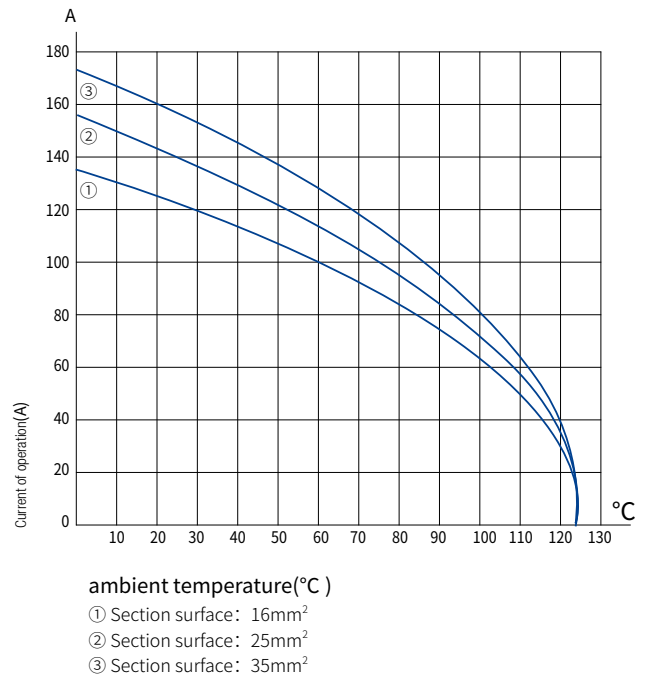
Number of contacts	1
Electrical data acc.to IEC 61984	
Rated Current	100A
Rated Voltage	1000V
Insulation resistance	$\geq 10^{10}\Omega$
Rated impulse voltage	8kV
Pollution degree	3
Material	Antiflaming PC
Limiting temperatures	-40°C~ +125°C
Flame retardant rating	EN 45545-2 R22&R23 HL3
Mechanical life	$\geq 500$


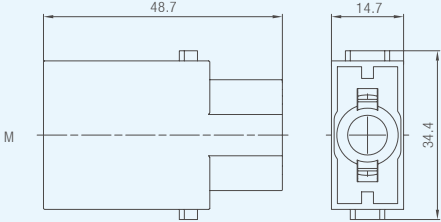

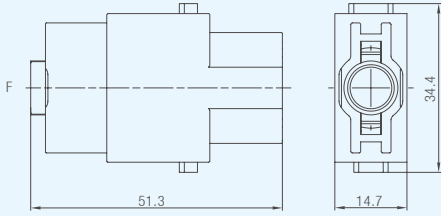
**Contacts**

Material	Aldary
Surface treatment	silver plating
Contact resistance	$\leq 0.3m\Omega$
Cold-pressed connection	
Conductor specification	6-35mm <sup>2</sup>

**Current carrying capacity**



The current carrying capacity of the connector is limited by the thermal load capacity of the contacts and insulating components. The derating curve displays a limited amount of current uniformly and continuously through each contact of the connector at a temperature not exceeding the maximum allowed temperature. Test methods refer to DIN EN 60512-5.



Description	Type No.	Order No.		Drawing	Dimensions in mm
		Male insert	Female insert		
Cold-pressed connection Cold-pressed pin Order separately 	HDC-HM1C100-MC	114060102374			
	HDC-HM1C100-FC		114060202203		

Description contact pairs	sectional area (mm <sup>2</sup> )	Order No.		Drawing	Dimensions in mm
		Male contact	Female contact		
	6	114020502321	114021002302		
	10	114020502112	114021002102		
	16	114020502113	114021002103		
	25	114020502114	114021002104		
	35	114020502115	114021002105		

Wire gauges		Stripping Length
6mm <sup>2</sup>	AWG10	20mm
10mm <sup>2</sup>	AWG8	20mm
16mm <sup>2</sup>	AWG5	20mm
25mm <sup>2</sup>	AWG3	20mm
35mm <sup>2</sup>	AWG2	20mm

Description	Pressure connection diameter /scope of application	Type No.	Order No.
<b>Crimping tool</b> 	6-120mm <sup>2</sup> Use with crimping tooling	EK60/22	Go to page 298
<b>Needle withdrawal tool</b> 	100A Cold-pressed pin	HDC-HM2C100-CX	112980003651

\*More pinholes can be found on pages 278-283, and more tools can be found on pages 274-277

**Specifications / standard**

	IEC 61984
Specifications	IEC 60664-1
	IEC 61373
Approvals	

**Inserts**

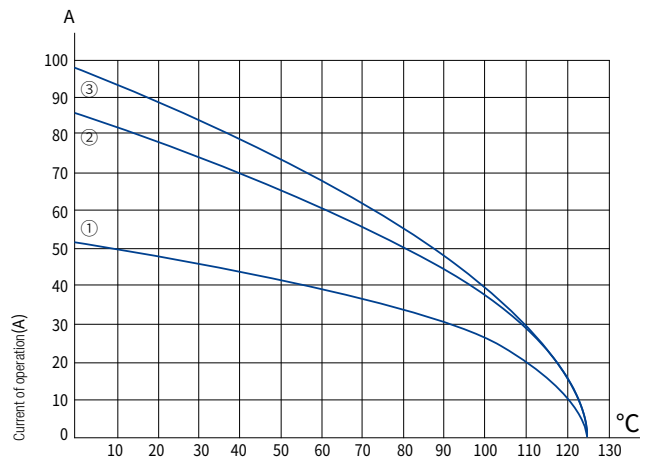
Number of contacts	2
Electrical data acc.to IEC 61984	
Rated Current	70A
Rated Voltage	1000V
Insulation resistance	$\geq 10^{10}\Omega$
Rated impulse voltage	8kV
Pollution degree	3
Material	Antiflaming PC
Limiting temperatures	-40°C~ +125°C
Flame retardant rating	EN 45545-2 R22&R23 HL3
Mechanical life	$\geq 500$

**Contacts**

Material	Aldary
Surface treatment	silver plating
Contact resistance	$\leq 0.5m\Omega$
Cold-pressed connection	
Conductor specification	6-25mm <sup>2</sup>


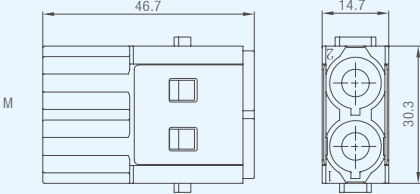
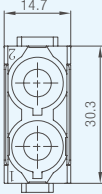
**Current carrying capacity**



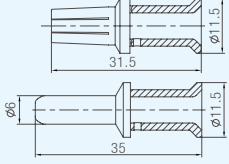
The current carrying capacity of the connector is limited by the thermal load capacity of the contacts and insulating components. The derating curve displays a limited amount of current uniformly and continuously through each contact of the connector at a temperature not exceeding the maximum allowed temperature. Test methods refer to DIN EN 60512-5.




**ambient temperature(°C )**

- ① 24B Shell With 6 module, Section surface: 6mm<sup>2</sup>
- ② 24B Shell With 6 module, Section surface: 16mm<sup>2</sup>
- ③ 24B Shell With 6 module, Section surface: 22mm<sup>2</sup>

Description	Type No.	Order No.		Drawing	Dimensions in mm
		Male insert	Female insert		
Cold-pressed connection Cold-pressed pin Order separately 	HDC-HM2C70-MC	113060100459			
	HDC-HM2C70-FC				

Description contact pairs	sectional area (mm <sup>2</sup> )	Order No.		Drawing	Dimensions in mm															
		Male contact	Female contact																	
  	6	114020502320	114021002301		<table border="1"> <thead> <tr> <th colspan="2">Wire gauges</th> <th>Stripping Length</th> </tr> </thead> <tbody> <tr> <td>6mm<sup>2</sup></td> <td>AWG10</td> <td>15.5mm</td> </tr> <tr> <td>10mm<sup>2</sup></td> <td>AWG8</td> <td>15.5mm</td> </tr> <tr> <td>16mm<sup>2</sup></td> <td>AWG5</td> <td>15.5mm</td> </tr> <tr> <td>25mm<sup>2</sup></td> <td>AWG3</td> <td>15.5mm</td> </tr> </tbody> </table>	Wire gauges		Stripping Length	6mm <sup>2</sup>	AWG10	15.5mm	10mm <sup>2</sup>	AWG8	15.5mm	16mm <sup>2</sup>	AWG5	15.5mm	25mm <sup>2</sup>	AWG3	15.5mm
	Wire gauges		Stripping Length																	
	6mm <sup>2</sup>	AWG10	15.5mm																	
	10mm <sup>2</sup>	AWG8	15.5mm																	
16mm <sup>2</sup>	AWG5	15.5mm																		
25mm <sup>2</sup>	AWG3	15.5mm																		
10	114020502118	114021002106																		
16	114020502119	114021002107																		
25	114020502120	114021002108																		

Description	Pressure connection diameter /scope of application	Type No.	Order No.
<b>Crimping tool</b> 	6-120mm <sup>2</sup> Use with crimping tooling	EK60/22	Go to page 298

\*More pinholes can be found on pages 278-283, and more tools can be found on pages 274-277

Specifications / standard

	IEC 61984
Specifications	IEC 60664-1
	IEC 61373
Approvals	

Inserts

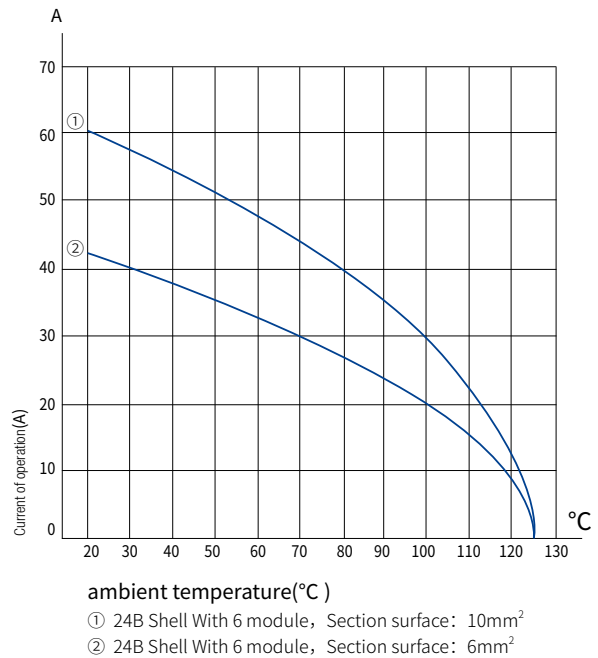
Number of contacts	2
Electrical data acc.to IEC 61984	
Rated Current	40A
Rated Voltage	1000V
Insulation resistance	$\geq 10^{10}\Omega$
Rated impulse voltage	8kV
Pollution degree	3
Material	Antiflaming PC
Limiting temperatures	-40°C~ +125°C
Flame retardant rating	EN 45545-2 R22&R23 HL3
Mechanical life	$\geq 500$


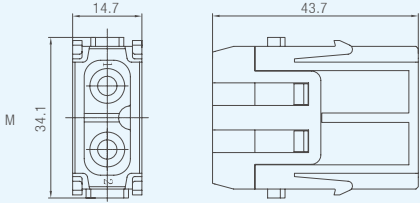

Contacts

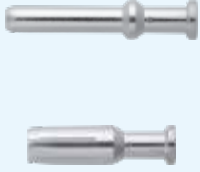
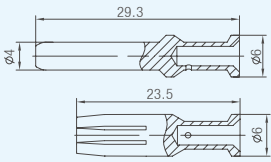
Material	Aldary
Surface treatment	silver plating
Contact resistance	$\leq 0.5m\Omega$
Cold-pressed connection	
mm <sup>2</sup>	1.5-10mm <sup>2</sup>
AWG	16-8
Maximum Cable diameter	6.5mm



Current carrying capacity

The current carrying capacity of the connector is limited by the thermal load capacity of the contacts and insulating components. The derating curve displays a limited amount of current uniformly and continuously through each contact of the connector at a temperature not exceeding the maximum allowed temperature. Test methods refer to DIN EN 60512-5.



Description	Type No.	Order No.		Drawing	Dimensions in mm
		Male insert	Female insert		
Cold-pressed connection Cold-pressed pin Order separately 	HDC-HM2C40-MC	113060100492			
		HDC-HM2C40-FC			113060200478

Description contact pairs	sectional area (mm <sup>2</sup> )	Order No.		Drawing	Dimensions in mm																		
		Male contact	Female contact																				
	1.5	114020501230	114021001146																				
	2.5	114020501229	114021001145																				
	4	114020501228	114021001144																				
	6	114020501227	114021001141																				
	10	114020501363	114021001312																				
				<table border="1"> <thead> <tr> <th colspan="2">Wire gauges</th> <th>Stripping Length</th> </tr> </thead> <tbody> <tr> <td>1.5mm<sup>2</sup></td> <td>AWG16</td> <td>9mm</td> </tr> <tr> <td>2.5mm<sup>2</sup></td> <td>AWG14</td> <td>9mm</td> </tr> <tr> <td>4mm<sup>2</sup></td> <td>AWG12</td> <td>9mm</td> </tr> <tr> <td>6mm<sup>2</sup></td> <td>AWG10</td> <td>10mm</td> </tr> <tr> <td>10mm<sup>2</sup></td> <td>AWG8</td> <td>12mm</td> </tr> </tbody> </table>	Wire gauges		Stripping Length	1.5mm <sup>2</sup>	AWG16	9mm	2.5mm <sup>2</sup>	AWG14	9mm	4mm <sup>2</sup>	AWG12	9mm	6mm <sup>2</sup>	AWG10	10mm	10mm <sup>2</sup>	AWG8	12mm	
Wire gauges		Stripping Length																					
1.5mm <sup>2</sup>	AWG16	9mm																					
2.5mm <sup>2</sup>	AWG14	9mm																					
4mm <sup>2</sup>	AWG12	9mm																					
6mm <sup>2</sup>	AWG10	10mm																					
10mm <sup>2</sup>	AWG8	12mm																					

Description	Pressure connection diameter /scope of application	Type No.	Order No.
<b>Crimping tool</b> 	0.34-10mm <sup>2</sup>	KNIPLEX Four spindle crimping pliers (97 52 65)	531030600052
<b>Needle withdrawal tool</b> 	40A Cold-pressed pin	HDC-HC-CX	113030400144

\*More pinholes can be found on pages 278-283, and more tools can be found on pages 274-277

**Specifications / standard**

	IEC 61984
Specifications	IEC 60664-1
	IEC 61373
Approvals	

**Inserts**

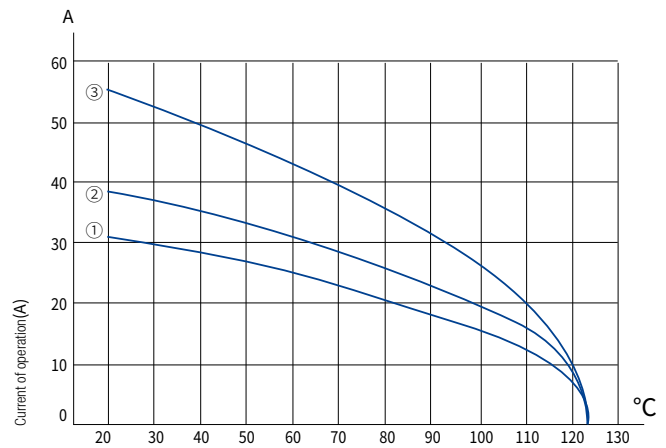
Number of contacts	3
Electrical data acc.to IEC 61984	
Rated Current	40A
Rated Voltage	500V
Insulation resistance	$\geq 10^{10}\Omega$
Rated impulse voltage	6kV
Pollution degree	3
Material	Antiflaming PC
Limiting temperatures	-40°C~ +125°C
Flame retardant rating	EN 45545-2 R22&R23 HL3
Mechanical life	$\geq 500$

**Contacts**


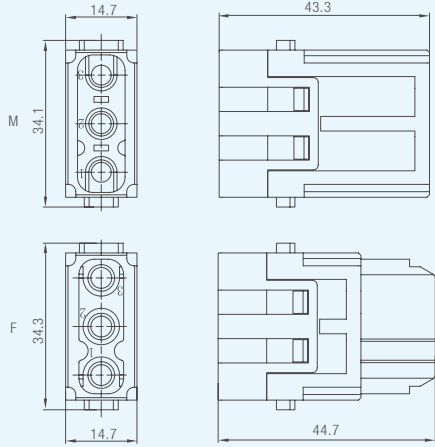
Material	Aldary
Surface treatment	silver plating
Contact resistance	$\leq 0.5m\Omega$
Cold-pressed connection	
mm <sup>2</sup>	1.5-10mm <sup>2</sup>
AWG	16-8
Maximum Cable diameter	6.5mm

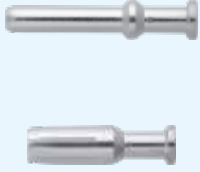
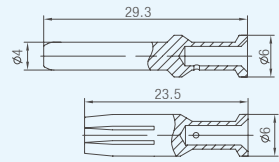
**Current carrying capacity**

The current carrying capacity of the connector is limited by the thermal load capacity of the contacts and insulating components. The derating curve displays a limited amount of current uniformly and continuously through each contact of the connector at a temperature not exceeding the maximum allowed temperature. Test methods refer to DIN EN 60512-5.




**ambient temperature(°C)**

- ① 24B Shell With 6 module, Section surface: 4mm<sup>2</sup>
- ② 24B Shell With 6 module, Section surface: 6mm<sup>2</sup>
- ③ 24B Shell With 6 module, Section surface: 10mm<sup>2</sup>

Description	Type No.	Order No.		Drawing	Dimensions in mm
		Male insert	Female insert		
Cold-pressed connection Cold-pressed pin Order separately 	HDC-HM3C40-MC	112012000341			
	HDC-HM3C40-FC		112022000554		

Description contact pairs	sectional area (mm <sup>2</sup> )	Order No.		Drawing	Dimensions in mm
		Male contact	Female contact		
	1.5	114020501230	114021001146		
	2.5	114020501229	114021001145		
	4	114020501228	114021001144		
	6	114020501227	114021001141		
	10	114020501363	114021001312		

Wire gauges		Stripping Length
1.5mm <sup>2</sup>	AWG16	9mm
2.5mm <sup>2</sup>	AWG14	9mm
4mm <sup>2</sup>	AWG12	9mm
6mm <sup>2</sup>	AWG10	10mm
10mm <sup>2</sup>	AWG8	12mm

Description	Pressure connection diameter /scope of application	Type No.	Order No.
<b>Crimping tool</b> 	0.34-10mm <sup>2</sup>	KNIPEX Four spindle crimping pliers (97 52 65)	531030600052
<b>Needle withdrawal tool</b> 	40A Cold-pressed pin	HDC-HC-CX	113030400144

\*More pinholes can be found on pages 278-283, and more tools can be found on pages 274-277



**Specifications / standard**

	IEC 61984
Specifications	IEC 60664-1
	IEC 61373
Approvals	

**Inserts**

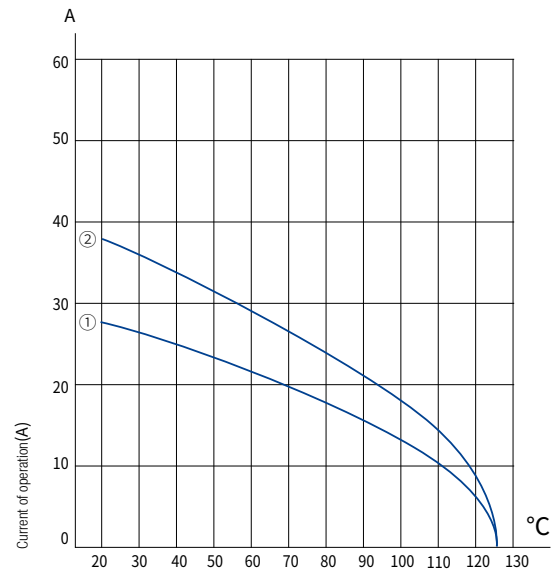
Number of contacts	4
Electrical data acc.to IEC 61984	
Rated Current	40A
Rated Voltage	830V
Insulation resistance	$\geq 10^{10}\Omega$
Rated impulse voltage	8kV
Pollution degree	3
Material	Antiflaming PC
Limiting temperatures	-40°C~ +125°C
Flame retardant rating	EN 45545-2 R22&R23 HL3
Mechanical life	$\geq 500$

**Contacts**


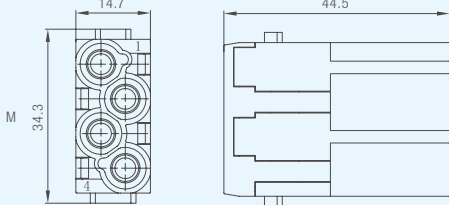

Material	Aldary
Surface treatment	silver plating
Contact resistance	$\leq 0.5m\Omega$
Cold-pressed connection	
mm <sup>2</sup>	1.5-6mm <sup>2</sup>
AWG	16-10
Maximum Cable diameter	6.5mm





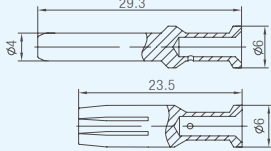
**Current carrying capacity**



The current carrying capacity of the connector is limited by the thermal load capacity of the contacts and insulating components. The derating curve displays a limited amount of current uniformly and continuously through each contact of the connector at a temperature not exceeding the maximum allowed temperature. Test methods refer to DIN EN 60512-5.


**ambient temperature(°C)**

- ① 24B Shell With 6 module, Section surface: 4mm<sup>2</sup>
- ② 24B Shell With 6 module, Section surface: 6mm<sup>2</sup>

Description	Type No.	Order No.		Drawing	Dimensions in mm
		Male insert	Female insert		
Cold-pressed connection Cold-pressed pin Order separately 	HDC-HM4C40-MC	113060100289			
		HDC-HM4C40-FC			

Description contact pairs	sectional area (mm <sup>2</sup> )	Order No.		Drawing	Dimensions in mm															
		Male contact	Female contact																	
   	1.5	114020501230	114021001146	 <table border="1" data-bbox="997 1315 1396 1498"> <thead> <tr> <th colspan="2">Wire gauges</th> <th>Stripping Length</th> </tr> </thead> <tbody> <tr> <td>1.5mm<sup>2</sup></td> <td>AWG16</td> <td>9mm</td> </tr> <tr> <td>2.5mm<sup>2</sup></td> <td>AWG14</td> <td>9mm</td> </tr> <tr> <td>4mm<sup>2</sup></td> <td>AWG12</td> <td>9mm</td> </tr> <tr> <td>6mm<sup>2</sup></td> <td>AWG10</td> <td>10mm</td> </tr> </tbody> </table>	Wire gauges		Stripping Length	1.5mm <sup>2</sup>	AWG16	9mm	2.5mm <sup>2</sup>	AWG14	9mm	4mm <sup>2</sup>	AWG12	9mm	6mm <sup>2</sup>	AWG10	10mm	
	Wire gauges		Stripping Length																	
	1.5mm <sup>2</sup>	AWG16	9mm																	
	2.5mm <sup>2</sup>	AWG14	9mm																	
4mm <sup>2</sup>	AWG12	9mm																		
6mm <sup>2</sup>	AWG10	10mm																		
2.5	114020501229	114021001145																		
4	114020501228	114021001144																		
6	114020501227	114021001141																		

Description	Pressure connection diameter /scope of application	Type No.	Order No.
<b>Crimping tool</b> 	0.34-10mm <sup>2</sup>	KNIPEX Four spindle crimping pliers (97 52 65)	531030600052
<b>Needle withdrawal tool</b> 	40A Cold-pressed pin	HDC-HC-CX	113030400144

\*More pinholes can be found on pages 278-283, and more tools can be found on pages 274-277

**Specifications / standard**

	IEC 61984
Specifications	IEC 60664-1
	IEC 61373
Approvals	

**Inserts**

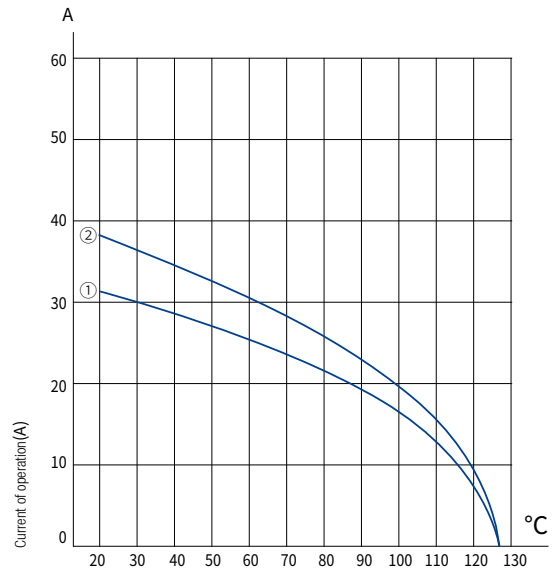
Number of contacts	3/4
Electrical data acc.to IEC 61984	
Rated Current	40A/10A
Rated Voltage	830V
Insulation resistance	$\geq 10^{10}\Omega$
Rated impulse voltage	8kV
Pollution degree	3
Material	Antiflaming PC
Limiting temperatures	-40°C~ +125°C
Flame retardant rating	EN 45545-2 R22&R23 HL3
Mechanical life	$\geq 500$

**Contacts**

Material	Aldary
Surface treatment	silver plating
Contact resistance	
-Power zone	$\leq 0.5m\Omega$
-signaling zone	$\leq 2.5m\Omega$
Cold-pressed connection	
- mm <sup>2</sup>	
-Power zone	1.5-6mm <sup>2</sup>
-signaling zone	(0.14-0.37) -2.5mm <sup>2</sup>
AWG	
-Power zone	16-10
-signaling zone	26-14
Maximum Cable diameter	
-Power zone	6.5mm


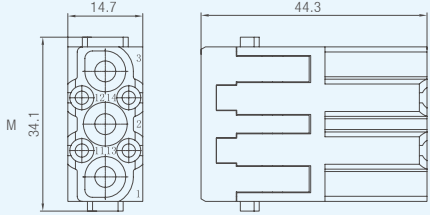
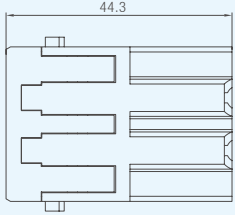
**Current carrying capacity**


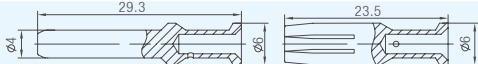

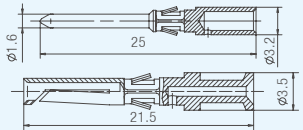

The current carrying capacity of the connector is limited by the thermal load capacity of the contacts and insulating components. The derating curve displays a limited amount of current uniformly and continuously through each contact of the connector at a temperature not exceeding the maximum allowed temperature. Test methods refer to DIN EN 60512-5.





ambient temperature(°C )

- ① 24B Shell With 6 module, Section surface: 4mm<sup>2</sup>
- ② 24B Shell With 6 module, Section surface: 6mm<sup>2</sup>

Description	Type No.	Order No.		Drawing	Dimensions in mm
		Male insert	Female insert		
Cold-pressed connection Cold-pressed pin Order separately 	HDC-HMC3/4-MC	113060100475			
	HDC-HMC3/4-FC		113060200464		

Description contact pairs	sectional area (mm <sup>2</sup> )	Order No.		Drawing	Dimensions in mm																				
		Male contact	Female contact																						
silver plating Contact resistance ≤ 0.5mΩ 	1.5	114020501230	114021001146	 <table border="1" data-bbox="976 944 1439 1045"> <thead> <tr> <th>Wire gauges</th> <th>Stripping Length</th> <th>Wire gauges</th> <th>Stripping Length</th> </tr> </thead> <tbody> <tr> <td>1.5mm<sup>2</sup> AWG16</td> <td>9mm</td> <td>4mm<sup>2</sup> AWG12</td> <td>9mm</td> </tr> <tr> <td>2.5mm<sup>2</sup> AWG14</td> <td>9mm</td> <td>6mm<sup>2</sup> AWG10</td> <td>10mm</td> </tr> </tbody> </table>	Wire gauges	Stripping Length	Wire gauges	Stripping Length	1.5mm <sup>2</sup> AWG16	9mm	4mm <sup>2</sup> AWG12	9mm	2.5mm <sup>2</sup> AWG14	9mm	6mm <sup>2</sup> AWG10	10mm	2.5	114020501229	114021001145						
	Wire gauges	Stripping Length	Wire gauges		Stripping Length																				
	1.5mm <sup>2</sup> AWG16	9mm	4mm <sup>2</sup> AWG12		9mm																				
	2.5mm <sup>2</sup> AWG14	9mm	6mm <sup>2</sup> AWG10		10mm																				
4	114020501228	114021001144																							
6	114020501227	114021001141																							
gold plating Contact resistance ≤ 2.5mΩ 	0.5	115210010802	115310016102	 <table border="1" data-bbox="976 1207 1407 1375"> <thead> <tr> <th colspan="2">Wire gauges</th> <th>Stripping Length</th> </tr> </thead> <tbody> <tr> <td>0.5mm<sup>2</sup></td> <td>AWG20</td> <td>8mm</td> </tr> <tr> <td>0.75-1mm<sup>2</sup></td> <td>AWG18</td> <td>8mm</td> </tr> <tr> <td>1.5mm<sup>2</sup></td> <td>AWG16</td> <td>8mm</td> </tr> <tr> <td>2.5mm<sup>2</sup></td> <td>AWG14</td> <td>6mm</td> </tr> <tr> <td>0.14-0.37mm<sup>2</sup></td> <td>AWG26-22</td> <td>8mm</td> </tr> </tbody> </table>	Wire gauges		Stripping Length	0.5mm <sup>2</sup>	AWG20	8mm	0.75-1mm <sup>2</sup>	AWG18	8mm	1.5mm <sup>2</sup>	AWG16	8mm	2.5mm <sup>2</sup>	AWG14	6mm	0.14-0.37mm <sup>2</sup>	AWG26-22	8mm	0.75-1.0	115210010804	115310016104
	Wire gauges		Stripping Length																						
	0.5mm <sup>2</sup>	AWG20	8mm																						
	0.75-1mm <sup>2</sup>	AWG18	8mm																						
	1.5mm <sup>2</sup>	AWG16	8mm																						
2.5mm <sup>2</sup>	AWG14	6mm																							
0.14-0.37mm <sup>2</sup>	AWG26-22	8mm																							
1.5	115210010805	115310016105																							
2.5	115210010901	115310016106																							
0.14-0.37	115210010801	115310016101																							
silver plating Contact resistance ≤ 2.5mΩ 	0.5	115210010807	115310016108	<table border="1" data-bbox="976 1207 1407 1375"> <thead> <tr> <th colspan="2">Wire gauges</th> <th>Stripping Length</th> </tr> </thead> <tbody> <tr> <td>0.5mm<sup>2</sup></td> <td>AWG20</td> <td>8mm</td> </tr> <tr> <td>0.75-1mm<sup>2</sup></td> <td>AWG18</td> <td>8mm</td> </tr> <tr> <td>1.5mm<sup>2</sup></td> <td>AWG16</td> <td>8mm</td> </tr> <tr> <td>2.5mm<sup>2</sup></td> <td>AWG14</td> <td>6mm</td> </tr> <tr> <td>0.14-0.37mm<sup>2</sup></td> <td>AWG26-22</td> <td>8mm</td> </tr> </tbody> </table>	Wire gauges		Stripping Length	0.5mm <sup>2</sup>	AWG20	8mm	0.75-1mm <sup>2</sup>	AWG18	8mm	1.5mm <sup>2</sup>	AWG16	8mm	2.5mm <sup>2</sup>	AWG14	6mm	0.14-0.37mm <sup>2</sup>	AWG26-22	8mm	0.75-1.0	115210010809	115310016110
	Wire gauges		Stripping Length																						
	0.5mm <sup>2</sup>	AWG20	8mm																						
	0.75-1mm <sup>2</sup>	AWG18	8mm																						
	1.5mm <sup>2</sup>	AWG16	8mm																						
2.5mm <sup>2</sup>	AWG14	6mm																							
0.14-0.37mm <sup>2</sup>	AWG26-22	8mm																							
1.5	115210010810	115310016111																							
2.5	115210010902	115310016112																							
0.14-0.37	115210010806	115310016107																							

Description	Pressure connection diameter /scope of application	Type No.	Order No.
<b>Crimping tool</b> 	0.34-10mm <sup>2</sup>	KNIPEX Four spindle crimping pliers (97 52 65)	531030600052
<b>Needle withdrawal tool</b> 	10A Cold-pressed pin	HDC-HD-CX	113030400143
	40A Cold-pressed pin	HDC-HC-CX	113030400144

\*More pinholes can be found on pages 278-283, and more tools can be found on pages 274-277

**Specifications / standard**

	IEC 61984
Specifications	IEC 60664-1
	IEC 61373
Approvals	

**Inserts**

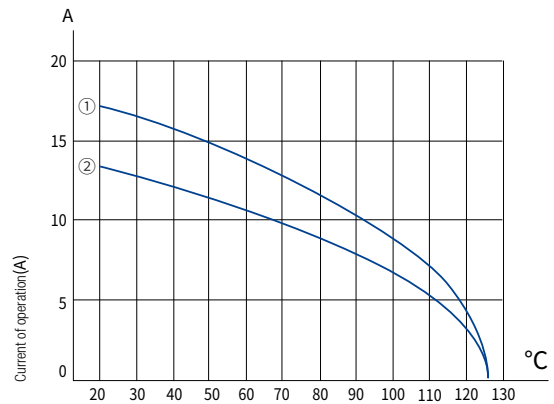
Number of contacts	6
Electrical data acc.to IEC 61984	
Rated Current	16A
Rated Voltage	500V
Insulation resistance	$\geq 10^{10}\Omega$
Rated impulse voltage	6kV
Pollution degree	3
Material	Antiflaming PC
Limiting temperatures	-40°C~ +125°C
Flame retardant rating	EN 45545-2 R22&R23 HL3
Mechanical life	$\geq 500$

**Contacts**


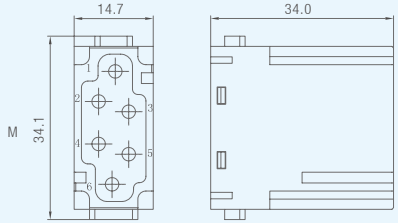

Material	Aldary
Surface treatment	gold plating/silver
Contact resistance	$\leq 1m\Omega$
Cold-pressed connection	
mm <sup>2</sup>	0.14-4mm <sup>2</sup>
AWG	26-12


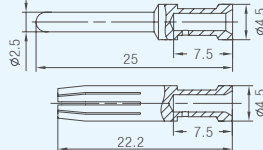

**Current carrying capacity**



The current carrying capacity of the connector is limited by the thermal load capacity of the contacts and insulating components. The derating curve displays a limited amount of current uniformly and continuously through each contact of the connector at a temperature not exceeding the maximum allowed temperature. Test methods refer to DIN EN 60512-5.


**ambient temperature(°C)**

- ① 24B Shell With 6 module, Section surface: 2.5mm<sup>2</sup>
- ② 24B Shell With 6 module, Section surface: 1.5mm<sup>2</sup>

Description	Type No.	Order No.		Drawing	Dimensions in mm
		Male insert	Female insert		
Cold-pressed connection Cold-pressed pin Order separately  	HDC-HME6-MC	112012000427			
		HDC-HME6-FC			

Description contact pairs	cross-section of conductor (mm <sup>2</sup> )	Order No.		Drawing	Dimensions in mm																								
		Male contact	Female contact																										
gold plating  	0.14-0.37	114020501613	114021001576																										
	0.5	114020501612	114021001577																										
	0.75-1.0	114020501610	114021001582																										
	1.5	114020501620	114021001591																										
	2.5	114020501618	114021001590																										
	4.0	114020501619	114021001581																										
silver plating  	0.14-0.37	114020501621	114021001592	<table border="1"> <thead> <tr> <th>Wire gauges</th> <th colspan="2">Stripping Length</th> </tr> </thead> <tbody> <tr> <td>0.5mm<sup>2</sup></td> <td>AWG20</td> <td>7.5mm</td> </tr> <tr> <td>0.75mm<sup>2</sup></td> <td>AWG18</td> <td>7.5mm</td> </tr> <tr> <td>1mm<sup>2</sup></td> <td>AWG18</td> <td>7.5mm</td> </tr> <tr> <td>1.5mm<sup>2</sup></td> <td>AWG16</td> <td>7.5mm</td> </tr> <tr> <td>2.5mm<sup>2</sup></td> <td>AWG14</td> <td>7.5mm</td> </tr> <tr> <td>4mm<sup>2</sup></td> <td>AWG12</td> <td>7.5mm</td> </tr> <tr> <td>0.14-0.37mm<sup>2</sup></td> <td>AWG26-22</td> <td>7.5mm</td> </tr> </tbody> </table>	Wire gauges	Stripping Length		0.5mm <sup>2</sup>	AWG20	7.5mm	0.75mm <sup>2</sup>	AWG18	7.5mm	1mm <sup>2</sup>	AWG18	7.5mm	1.5mm <sup>2</sup>	AWG16	7.5mm	2.5mm <sup>2</sup>	AWG14	7.5mm	4mm <sup>2</sup>	AWG12	7.5mm	0.14-0.37mm <sup>2</sup>	AWG26-22	7.5mm	
	Wire gauges	Stripping Length																											
	0.5mm <sup>2</sup>	AWG20	7.5mm																										
	0.75mm <sup>2</sup>	AWG18	7.5mm																										
	1mm <sup>2</sup>	AWG18	7.5mm																										
	1.5mm <sup>2</sup>	AWG16	7.5mm																										
2.5mm <sup>2</sup>	AWG14	7.5mm																											
4mm <sup>2</sup>	AWG12	7.5mm																											
0.14-0.37mm <sup>2</sup>	AWG26-22	7.5mm																											
0.5	114020501622	114021001593																											
0.75-1.0	114020501624	114021001595																											
1.5	114020501576	114021001550																											
2.5	114020501560	114021001533																											
4.0	114020501552	114021001525																											

Description	Pressure connection diameter /scope of application	Type No.	Order No.
<b>Crimping tool</b> 	0.14-4.0mm <sup>2</sup>	M22520/1-01(DMC)	531030600020
<b>Needle withdrawal tool</b> 	16A Cold-pressed pin	HDC-HE-CX	113030400142

\*More pinholes can be found on pages 278-283, and more tools can be found on pages 274-277

Specifications / standard

	IEC 61984
Specifications	IEC 60664-1
	IEC 61373
Approvals	

Inserts

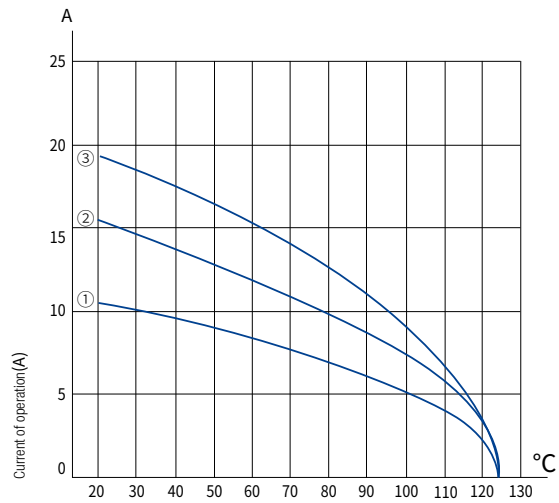
Number of contacts	6
Electrical data acc.to IEC 61984	
Rated Current	16A
Rated Voltage	830V
Insulation resistance	$\geq 10^{10}\Omega$
Rated impulse voltage	8kV
Pollution degree	3
Material	Antiflaming PC
Limiting temperatures	-40°C~ +125°C
Flame retardant rating	EN 45545-2 R22&R23 HL3
Mechanical life	$\geq 500$

Contacts

Material	Aldary
Surface treatment	gold plating/silver
Contact resistance	$\leq 1m\Omega$
Cold-pressed connection	
mm <sup>2</sup>	0.14-4mm <sup>2</sup>
AWG	26-12


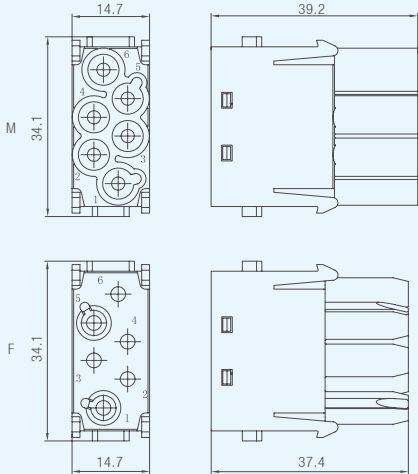

Current carrying capacity


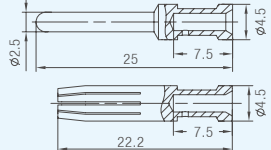

The current carrying capacity of the connector is limited by the thermal load capacity of the contacts and insulating components. The derating curve displays a limited amount of current uniformly and continuously through each contact of the connector at a temperature not exceeding the maximum allowed temperature. Test methods refer to DIN EN 60512-5.





ambient temperature(°C )

- ① 24B Shell With 6 module, Section surface: 1.5mm<sup>2</sup>
- ② 24B Shell With 6 module, Section surface: 2.5mm<sup>2</sup>
- ③ 24B Shell With 6 module, Section surface: 4.0mm<sup>2</sup>

Description	Type No.	Order No.		Drawing	Dimensions in mm
		Male insert	Female insert		
Cold-pressed connection Cold-pressed pin Order separately		HDC-HMEV6-MC	113060100473		
		HDC-HMEV6-FC			

Description contact pairs	cross-section of conductor (mm <sup>2</sup> )	Order No.		Drawing	Dimensions in mm																								
		Male contact	Female contact																										
gold plating 	0.14-0.37	114020501613	114021001576																										
	0.5	114020501612	114021001577																										
	0.75-1.0	114020501610	114021001582																										
	1.5	114020501620	114021001591																										
	2.5	114020501618	114021001590																										
	4.0	114020501619	114021001581																										
silver plating 	0.14-0.37	114020501621	114021001592	<table border="1" data-bbox="979 1338 1410 1565"> <thead> <tr> <th colspan="2">Wire gauges</th> <th>Stripping Length</th> </tr> </thead> <tbody> <tr> <td>0.5mm<sup>2</sup></td> <td>AWG20</td> <td>7.5mm</td> </tr> <tr> <td>0.75mm<sup>2</sup></td> <td>AWG18</td> <td>7.5mm</td> </tr> <tr> <td>1mm<sup>2</sup></td> <td>AWG18</td> <td>7.5mm</td> </tr> <tr> <td>1.5mm<sup>2</sup></td> <td>AWG16</td> <td>7.5mm</td> </tr> <tr> <td>2.5mm<sup>2</sup></td> <td>AWG14</td> <td>7.5mm</td> </tr> <tr> <td>4mm<sup>2</sup></td> <td>AWG12</td> <td>7.5mm</td> </tr> <tr> <td>0.14-0.37mm<sup>2</sup></td> <td>AWG26-22</td> <td>7.5mm</td> </tr> </tbody> </table>	Wire gauges		Stripping Length	0.5mm <sup>2</sup>	AWG20	7.5mm	0.75mm <sup>2</sup>	AWG18	7.5mm	1mm <sup>2</sup>	AWG18	7.5mm	1.5mm <sup>2</sup>	AWG16	7.5mm	2.5mm <sup>2</sup>	AWG14	7.5mm	4mm <sup>2</sup>	AWG12	7.5mm	0.14-0.37mm <sup>2</sup>	AWG26-22	7.5mm	
	Wire gauges		Stripping Length																										
	0.5mm <sup>2</sup>	AWG20	7.5mm																										
	0.75mm <sup>2</sup>	AWG18	7.5mm																										
	1mm <sup>2</sup>	AWG18	7.5mm																										
	1.5mm <sup>2</sup>	AWG16	7.5mm																										
2.5mm <sup>2</sup>	AWG14	7.5mm																											
4mm <sup>2</sup>	AWG12	7.5mm																											
0.14-0.37mm <sup>2</sup>	AWG26-22	7.5mm																											
0.5	114020501622	114021001593																											
0.75-1.0	114020501624	114021001595																											
1.5	114020501576	114021001550																											
2.5	114020501560	114021001533																											
4.0	114020501552	114021001525																											

Description	Pressure connection diameter /scope of application	Type No.	Order No.
<b>Crimping tool</b> 	0.14-4.0mm <sup>2</sup>	M22520/1-01(DMC)	531030600020
<b>Needle withdrawal tool</b> 	16A Cold-pressed pin	HDC-HE-CX	113030400142

\*More pinholes can be found on pages 278-283, and more tools can be found on pages 274-277



**Specifications / standard**

	IEC 61984
Specifications	IEC 60664-1
	IEC 61373
Approvals	

**Inserts**

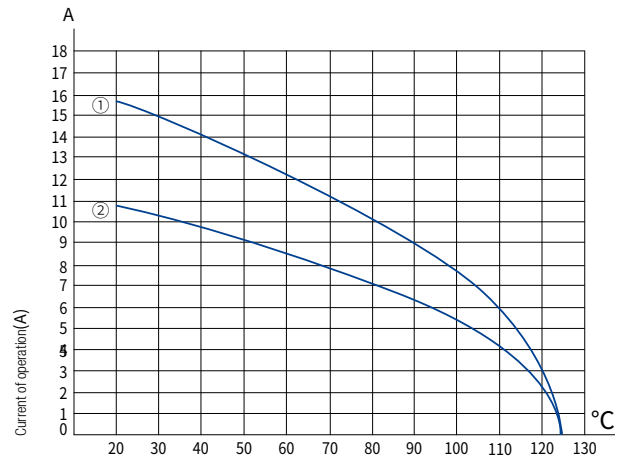
Number of contacts	8
Electrical data acc.to IEC 61984	
Rated Current	16A
Rated Voltage	400V
Insulation resistance	$\geq 10^{10}\Omega$
Rated impulse voltage	6kV
Pollution degree	3
Material	Antiflaming PC
Limiting temperatures	-40°C~ +125°C
Flame retardant rating	EN 45545-2 R22&R23 HL3
Mechanical life	$\geq 500$

**Contacts**

Material	Aldary
Surface treatment	gold plating/silver
Contact resistance	$\leq 1m\Omega$
Cold-pressed connection	
mm <sup>2</sup>	0.14-4mm <sup>2</sup>
AWG	26-12

**Current carrying capacity**

The current carrying capacity of the connector is limited by the thermal load capacity of the contacts and insulating components. The derating curve displays a limited amount of current uniformly and continuously through each contact of the connector at a temperature not exceeding the maximum allowed temperature. Test methods refer to DIN EN 60512-5.


**ambient temperature(°C )**

- ① 24B Shell With 6 module, Section surface: 2.5mm<sup>2</sup>
- ② 24B Shell With 6 module, Section surface: 1.5mm<sup>2</sup>

Description	Type No.	Order No.		Drawing	Dimensions in mm
		Male insert	Female insert		
Cold-pressed connection Cold-pressed pin Order separately	HDC-HME8-MC	113060100472			
	HDC-HME8-FC	113060200461			

Description contact pairs	cross-section of conductor (mm <sup>2</sup> )	Order No.		Drawing	Dimensions in mm
		Male contact	Female contact		
gold plating 	0.14-0.37	114020501613	114021001576		
	0.5	114020501612	114021001577		
	0.75-1.0	114020501610	114021001582		
	1.5	114020501620	114021001591		
	2.5	114020501618	114021001590		
	4.0	114020501619	114021001581		
silver plating 	0.14-0.37	114020501621	114021001592		
	0.5	114020501622	114021001593		
	0.75-1.0	114020501624	114021001595		
	1.5	114020501576	114021001550		
	2.5	114020501560	114021001533		
	4.0	114020501552	114021001525		

Wire gauges		Stripping Length
0.5mm <sup>2</sup>	AWG20	7.5mm
0.75mm <sup>2</sup>	AWG18	7.5mm
1mm <sup>2</sup>	AWG18	7.5mm
1.5mm <sup>2</sup>	AWG16	7.5mm
2.5mm <sup>2</sup>	AWG14	7.5mm
4mm <sup>2</sup>	AWG12	7.5mm
0.14-0.37mm <sup>2</sup>	AWG26-22	7.5mm

Description	Pressure connection diameter /scope of application	Type No.	Order No.
<b>Crimping tool</b> 	0.14-4.0mm <sup>2</sup>	M22520/1-01(DMC)	531030600020
<b>Needle withdrawal tool</b> 	16A Cold-pressed pin	HDC-HE-CX	113030400142

\*More pinholes can be found on pages 278-283, and more tools can be found on pages 274-277

**Specifications / standard**

	IEC 61984
Specifications	IEC 60664-1
	IEC 61373
Approvals	

**Inserts**

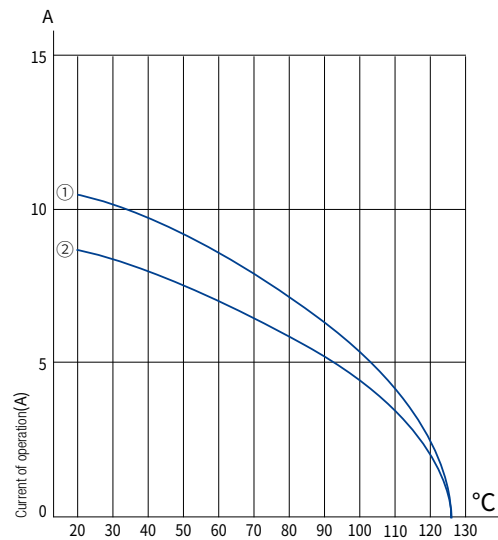
Number of contacts	12
Electrical data acc.to IEC 61984	
Rated Current	10A
Rated Voltage	250V
Insulation resistance	$\geq 10^{10}\Omega$
Rated impulse voltage	4kV
Pollution degree	3
Material	Antiflaming PC
Limiting temperatures	-40°C~ +125°C
Flame retardant rating	EN 45545-2 R22&R23 HL3
Mechanical life	$\geq 500$

**Contacts**


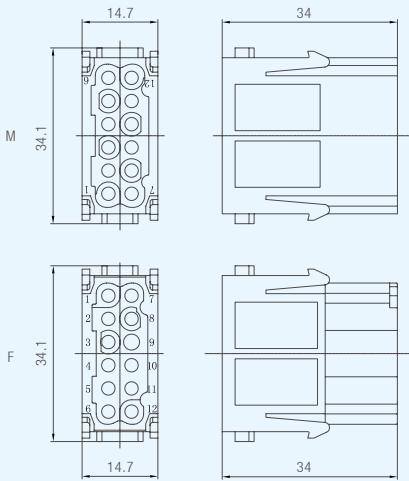

Material	Aldary
Surface treatment	gold plating/silver
Contact resistance	$\leq 2.5m\Omega$
Cold-pressed connection	
mm <sup>2</sup>	0.14-2.5mm <sup>2</sup>
AWG	26-14


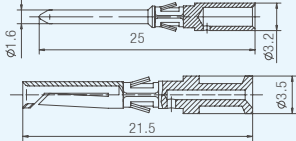

**Current carrying capacity**



The current carrying capacity of the connector is limited by the thermal load capacity of the contacts and insulating components. The derating curve displays a limited amount of current uniformly and continuously through each contact of the connector at a temperature not exceeding the maximum allowed temperature. Test methods refer to DIN EN 60512-5.


**ambient temperature(°C )**

- ① 24B Shell With 6 module, Section surface: 1.5mm<sup>2</sup>
- ② 24B Shell With 6 module, Section surface: 1.0mm<sup>2</sup>

Description	Type No.	Order No.		Drawing	Dimensions in mm
		Male insert	Female insert		
Cold-pressed connection Cold-pressed pin Order separately  	HDC-HMD12-MC	114060102289			
		HDC-HMD12-FC			114060202117

Description contact pairs	cross-section of conductor (mm <sup>2</sup> )	Order No.		Drawing	Dimensions in mm																		
		Male contact	Female contact																				
gold plating  	0.5	115210010802	115310016102																				
	0.75-1.0	115210010804	115310016104																				
	1.5	115210010805	115310016105																				
	2.5	115210010901	115310016106																				
	0.14-0.37	115210010801	115310016101																				
silver plating  	0.5	115210010807	115310016108	<table border="1"> <thead> <tr> <th colspan="2">Wire gauges</th> <th>Stripping Length</th> </tr> </thead> <tbody> <tr> <td>0.5mm<sup>2</sup></td> <td>AWG20</td> <td>8mm</td> </tr> <tr> <td>0.75-1mm<sup>2</sup></td> <td>AWG18</td> <td>8mm</td> </tr> <tr> <td>1.5mm<sup>2</sup></td> <td>AWG16</td> <td>8mm</td> </tr> <tr> <td>2.5mm<sup>2</sup></td> <td>AWG14</td> <td>6mm</td> </tr> <tr> <td>0.14-0.37mm<sup>2</sup></td> <td>AWG26-22</td> <td>8mm</td> </tr> </tbody> </table>	Wire gauges		Stripping Length	0.5mm <sup>2</sup>	AWG20	8mm	0.75-1mm <sup>2</sup>	AWG18	8mm	1.5mm <sup>2</sup>	AWG16	8mm	2.5mm <sup>2</sup>	AWG14	6mm	0.14-0.37mm <sup>2</sup>	AWG26-22	8mm	
	Wire gauges		Stripping Length																				
	0.5mm <sup>2</sup>	AWG20	8mm																				
	0.75-1mm <sup>2</sup>	AWG18	8mm																				
	1.5mm <sup>2</sup>	AWG16	8mm																				
2.5mm <sup>2</sup>	AWG14	6mm																					
0.14-0.37mm <sup>2</sup>	AWG26-22	8mm																					
0.75-1.0	115210010809	115310016110																					
1.5	115210010810	115310016111																					
2.5	115210010902	115310016112																					
0.14-0.37	115210010806	115310016107																					

Description	Pressure connection diameter /scope of application	Type No.	Order No.
<b>Crimping tool</b> 	0.14-4.0mm <sup>2</sup>	M22520/1-01(DMC)	531030600020
<b>Needle withdrawal tool</b> 	10A Cold-pressed pin	HDC-HD-CX	113030400143

\*More pinholes can be found on pages 278-283, and more tools can be found on pages 274-277

## Specifications / standard

	IEC 61984
Specifications	IEC 60664-1
	IEC 61373
Approvals	

## Inserts

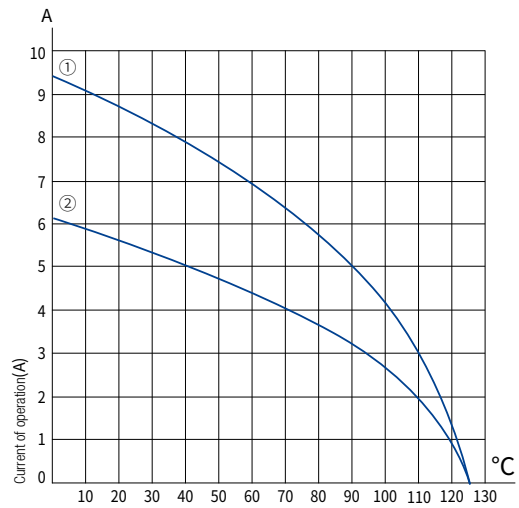
Number of contacts	17
Electrical data acc.to IEC 61984	
Rated Current	10A
Rated Voltage	160V
Insulation resistance	$\geq 10^{10}\Omega$
Rated impulse voltage	2.5kV
Pollution degree	3
Material	Antiflaming PC
Limiting temperatures	-40°C~ +125°C
Flame retardant rating	EN 45545-2 R22&R23 HL3
Mechanical life	$\geq 500$

## Contacts

Material	Aldary
Surface treatment	gold plating/silver
Contact resistance	$\leq 2.5m\Omega$
Cold-pressed connection	
mm <sup>2</sup>	0.14-2.5mm <sup>2</sup>
AWG	26-14


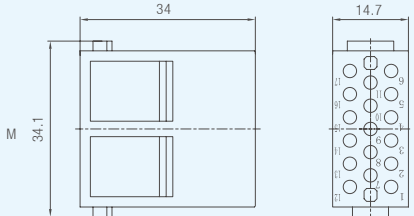

## Current carrying capacity


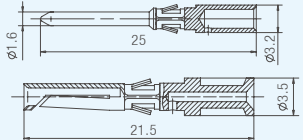

The current carrying capacity of the connector is limited by the thermal load capacity of the contacts and insulating components. The derating curve displays a limited amount of current uniformly and continuously through each contact of the connector at a temperature not exceeding the maximum allowed temperature. Test methods refer to DIN EN 60512-5.





ambient temperature(°C)

- ① 24B Shell With 6 module, Section surface: 1.5mm<sup>2</sup>
- ② 24B Shell With 6 module, Section surface: 1.0mm<sup>2</sup>


Description	Type No.	Order No.		Drawing	Dimensions in mm
		Male insert	Female insert		
Cold-pressed connection Cold-pressed pin Order separately 	HDC-HMD17-MC	114060101582			
	HDC-HMD17-FC		114060201492		

Description contact pairs	cross-section of conductor (mm <sup>2</sup> )	Order No.		Drawing	Dimensions in mm																		
		Male contact	Female contact																				
gold plating 	0.5	115210010802	115310016102																				
	0.75-1.0	115210010804	115310016104																				
	1.5	115210010805	115310016105																				
	2.5	115210010901	115310016106																				
	0.14-0.37	115210010801	115310016101																				
silver plating 	0.5	115210010807	115310016108	<table border="1"> <thead> <tr> <th colspan="2">Wire gauges</th> <th>Stripping Length</th> </tr> </thead> <tbody> <tr> <td>0.5mm<sup>2</sup></td> <td>AWG20</td> <td>8mm</td> </tr> <tr> <td>0.75-1mm<sup>2</sup></td> <td>AWG18</td> <td>8mm</td> </tr> <tr> <td>1.5mm<sup>2</sup></td> <td>AWG16</td> <td>8mm</td> </tr> <tr> <td>2.5mm<sup>2</sup></td> <td>AWG14</td> <td>6mm</td> </tr> <tr> <td>0.14-0.37mm<sup>2</sup></td> <td>AWG26-22</td> <td>8mm</td> </tr> </tbody> </table>	Wire gauges		Stripping Length	0.5mm <sup>2</sup>	AWG20	8mm	0.75-1mm <sup>2</sup>	AWG18	8mm	1.5mm <sup>2</sup>	AWG16	8mm	2.5mm <sup>2</sup>	AWG14	6mm	0.14-0.37mm <sup>2</sup>	AWG26-22	8mm	
	Wire gauges		Stripping Length																				
	0.5mm <sup>2</sup>	AWG20	8mm																				
	0.75-1mm <sup>2</sup>	AWG18	8mm																				
	1.5mm <sup>2</sup>	AWG16	8mm																				
2.5mm <sup>2</sup>	AWG14	6mm																					
0.14-0.37mm <sup>2</sup>	AWG26-22	8mm																					
0.75-1.0	115210010809	115310016110																					
1.5	115210010810	115310016111																					
2.5	115210010902	115310016112																					
0.14-0.37	115210010806	115310016107																					

Description	Pressure connection diameter /scope of application	Type No.	Order No.
<b>Crimping tool</b> 	0.14-4.0mm <sup>2</sup>	M22520/1-01(DMC)	531030600020
<b>Needle withdrawal tool</b> 	10A Cold-pressed pin	HDC-HD-CX	113030400143

\*More pinholes can be found on pages 278-283, and more tools can be found on pages 274-277

**Specifications / standard**

	IEC 61984
Specifications	IEC 60664-1
	IEC 61373
Approvals	

**Inserts**

Number of contacts	36
Electrical data acc.to IEC 61984	
Rated Current	10A
Rated Voltage	400V
Insulation resistance	$\geq 10^{10}\Omega$
Rated impulse voltage	6kV
Pollution degree	3
Material	Antiflaming PC
Limiting temperatures	-40°C~ +125°C
Flame retardant rating	EN 45545-2 R22&R23 HL3
Mechanical life	$\geq 500$

**Contacts**

Material	Aldary
Surface treatment	silver plating
Contact resistance	$\leq 2.5m\Omega$
Cold-pressed connection	
mm <sup>2</sup>	0.14-2.5mm <sup>2</sup>
AWG	26-14

Specifications / standard

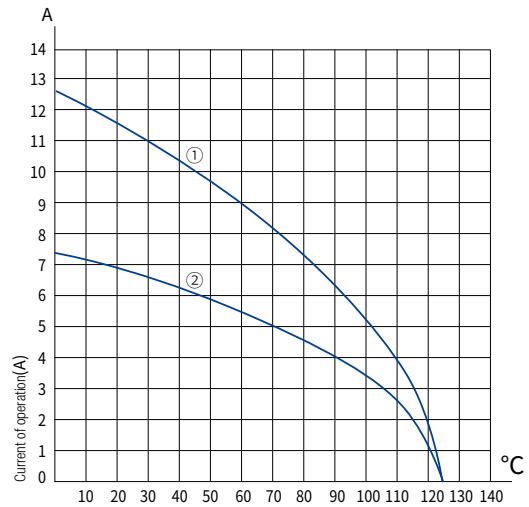
	IEC 61984
Specifications	IEC 60664-1
	IEC 61373
Approvals	

Inserts

Number of contacts	42
Electrical data acc.to IEC 61984	
Rated Current	10A
Rated Voltage	150V
Insulation resistance	$\geq 10^{10}\Omega$
Rated impulse voltage	2.5kV
Pollution degree	3
Material	Antiflaming PC
Limiting temperatures	-40°C ~ +125°C
Flame retardant rating	EN 45545-2 R22&R23 HL3
Mechanical life	$\geq 500$


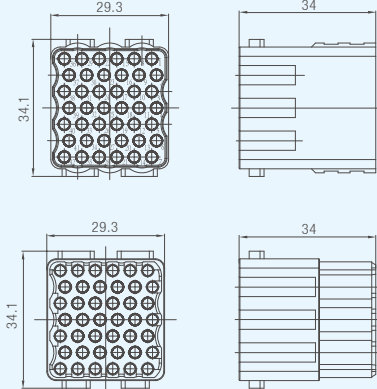

Current carrying capacity


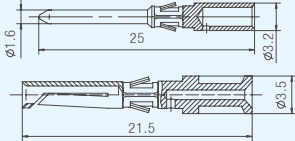

The current carrying capacity of the connector is limited by the thermal load capacity of the contacts and insulating components. The derating curve displays a limited amount of current uniformly and continuously through each contact of the connector at a temperature not exceeding the maximum allowed temperature. Test methods refer to DIN EN 60512-5.





ambient temperature(°C)  
 ① 24B Shell With 3 module, Section surface: 1.5mm<sup>2</sup>  
 ② 24B Shell With 3 module, Section surface: 0.75mm<sup>2</sup>



Description	Type No.	Order No.		Drawing	Dimensions in mm
		Male insert	Female insert		
	HDC-HMD42-MC	114060102653			
	HDC-HMD42-FC		114060202417		

Description contact pairs	cross-section of conductor (mm <sup>2</sup> )	Order No.		Drawing	Dimensions in mm																		
		Male contact	Female contact																				
gold plating 	0.5	115210010802	115310016102		<table border="1"> <thead> <tr> <th colspan="2">Wire gauges</th> <th>Stripping Length</th> </tr> </thead> <tbody> <tr> <td>0.5mm<sup>2</sup></td> <td>AWG20</td> <td>8mm</td> </tr> <tr> <td>0.75-1mm<sup>2</sup></td> <td>AWG18</td> <td>8mm</td> </tr> <tr> <td>1.5mm<sup>2</sup></td> <td>AWG16</td> <td>8mm</td> </tr> <tr> <td>2.5mm<sup>2</sup></td> <td>AWG14</td> <td>6mm</td> </tr> <tr> <td>0.14-0.37mm<sup>2</sup></td> <td>AWG26-22</td> <td>8mm</td> </tr> </tbody> </table>	Wire gauges		Stripping Length	0.5mm <sup>2</sup>	AWG20	8mm	0.75-1mm <sup>2</sup>	AWG18	8mm	1.5mm <sup>2</sup>	AWG16	8mm	2.5mm <sup>2</sup>	AWG14	6mm	0.14-0.37mm <sup>2</sup>	AWG26-22	8mm
	Wire gauges		Stripping Length																				
	0.5mm <sup>2</sup>	AWG20	8mm																				
	0.75-1mm <sup>2</sup>	AWG18	8mm																				
	1.5mm <sup>2</sup>	AWG16	8mm																				
2.5mm <sup>2</sup>	AWG14	6mm																					
0.14-0.37mm <sup>2</sup>	AWG26-22	8mm																					
0.75-1.0	115210010804	115310016104																					
1.5	115210010805	115310016105																					
2.5	115210010901	115310016106																					
0.14-0.37	115210010801	115310016101																					
silver plating 	0.5	115210010807	115310016108																				
	0.75-1.0	115210010809	115310016110																				
	1.5	115210010810	115310016111																				
	2.5	115210010902	115310016112																				
	0.14-0.37	115210010806	115310016107																				

Description	Pressure connection diameter /scope of application	Type No.	Order No.
<b>Crimping tool</b> 	0.14-4.0mm <sup>2</sup>	M22520/1-01(DMC)	531030600020
<b>Needle withdrawal tool</b> 	10A Cold-pressed pin	HDC-HD-CX	113030400143

\*More pinholes can be found on pages 278-283, and more tools can be found on pages 274-277

### Specifications / standard

	IEC 61984
Specifications	IEC 60664-1
	IEC 61373
Approvals	

### Inserts

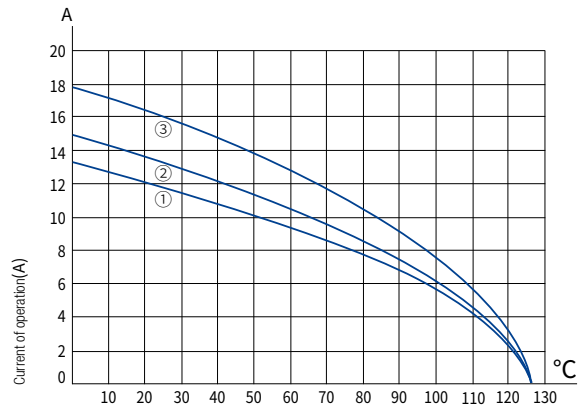
Number of contacts	20
Electrical data acc.to IEC 61984	
Rated Current	16A
Rated Voltage	500V
Insulation resistance	$\geq 10^{10}\Omega$
Rated impulse voltage	6kV
Pollution degree	3
Material	Antiflaming PC
Limiting temperatures	-40°C ~ +125°C
Flame retardant rating	EN 45545-2 R22&R23 HL3
Mechanical life	$\geq 500$

### Contacts

Material	Aldary
Surface treatment	gold plating/silver
Contact resistance	$\leq 1m\Omega$
Cold-pressed connection	
mm <sup>2</sup>	0.14-4mm <sup>2</sup>
AWG	26-12


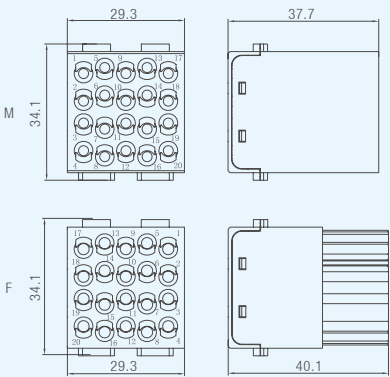
### Current carrying capacity


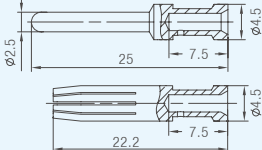

The current carrying capacity of the connector is limited by the thermal load capacity of the contacts and insulating components. The derating curve displays a limited amount of current uniformly and continuously through each contact of the connector at a temperature not exceeding the maximum allowed temperature. Test methods refer to DIN EN 60512-5.





ambient temperature(°C)

- ① 24B Shell With 3 module, Section surface: 1.5mm<sup>2</sup>
- ② 24B Shell With 3 module, Section surface: 2.5mm<sup>2</sup>
- ③ 24B Shell With 3 module, Section surface: 4.0mm<sup>2</sup>

Description	Type No.	Order No.		Drawing	Dimensions in mm
		Male insert	Female insert		
Cold-pressed connection Cold-pressed pin Order separately  	HDC-HME20-MC	113060100479			
	HDC-HME20-FC		113060200468		

Description contact pairs	cross-section of conductor (mm <sup>2</sup> )	Order No.		Drawing	Dimensions in mm																								
		Male contact	Female contact																										
gold plating  	0.14-0.37	114020501613	114021001576																										
	0.5	114020501612	114021001577																										
	0.75-1.0	114020501610	114021001582																										
	1.5	114020501620	114021001591																										
	2.5	114020501618	114021001590																										
	4.0	114020501619	114021001581																										
silver plating  	0.14-0.37	114020501621	114021001592	<table border="1"> <thead> <tr> <th colspan="2">Wire gauges</th> <th>Stripping Length</th> </tr> </thead> <tbody> <tr> <td>0.5mm<sup>2</sup></td> <td>AWG20</td> <td>7.5mm</td> </tr> <tr> <td>0.75mm<sup>2</sup></td> <td>AWG18</td> <td>7.5mm</td> </tr> <tr> <td>1mm<sup>2</sup></td> <td>AWG18</td> <td>7.5mm</td> </tr> <tr> <td>1.5mm<sup>2</sup></td> <td>AWG16</td> <td>7.5mm</td> </tr> <tr> <td>2.5mm<sup>2</sup></td> <td>AWG14</td> <td>7.5mm</td> </tr> <tr> <td>4mm<sup>2</sup></td> <td>AWG12</td> <td>7.5mm</td> </tr> <tr> <td>0.14-0.37mm<sup>2</sup></td> <td>AWG26-22</td> <td>7.5mm</td> </tr> </tbody> </table>	Wire gauges		Stripping Length	0.5mm <sup>2</sup>	AWG20	7.5mm	0.75mm <sup>2</sup>	AWG18	7.5mm	1mm <sup>2</sup>	AWG18	7.5mm	1.5mm <sup>2</sup>	AWG16	7.5mm	2.5mm <sup>2</sup>	AWG14	7.5mm	4mm <sup>2</sup>	AWG12	7.5mm	0.14-0.37mm <sup>2</sup>	AWG26-22	7.5mm	
	Wire gauges		Stripping Length																										
	0.5mm <sup>2</sup>	AWG20	7.5mm																										
	0.75mm <sup>2</sup>	AWG18	7.5mm																										
	1mm <sup>2</sup>	AWG18	7.5mm																										
	1.5mm <sup>2</sup>	AWG16	7.5mm																										
2.5mm <sup>2</sup>	AWG14	7.5mm																											
4mm <sup>2</sup>	AWG12	7.5mm																											
0.14-0.37mm <sup>2</sup>	AWG26-22	7.5mm																											
0.5	114020501622	114021001593																											
0.75-1.0	114020501624	114021001595																											
1.5	114020501576	114021001550																											
2.5	114020501560	114021001533																											
4.0	114020501552	114021001525																											

Description	Pressure connection diameter /scope of application	Type No.	Order No.
<b>Crimping tool</b> 	0.14-4.0mm <sup>2</sup>	M22520/1-01(DMC)	531030600020
<b>Needle withdrawal tool</b> 	16A Cold-pressed pin	HDC-HE-CX	113030400142

\*More pinholes can be found on pages 278-283, and more tools can be found on pages 274-277

Specifications / standard

	IEC 61984
Specifications	IEC 60664-1
	IEC 61373
Approvals	

Inserts

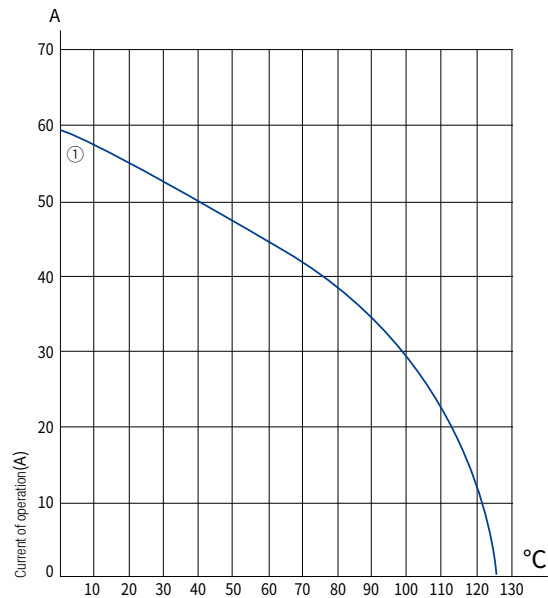
Number of contacts	2
Electrical data acc.to IEC 61984	
Rated Current	40A
Relative rated voltage	2900V
Phase rated voltage	5000V
Insulation resistance	$\geq 10^{10}\Omega$
Rated impulse voltage	15kV
Pollution degree	3
Material	Antiflaming PC / PTFE
Limiting temperatures	-40°C ~ +125°C
Flame retardant rating	EN 45545-2 R22&R23 HL3
Maximum Cable diameter	9mm
Mechanical life	$\geq 500$

Contacts

Material	Aldary
Surface treatment	silver plating
Contact resistance	$\leq 0.5m\Omega$
Cold-pressed connection	
mm <sup>2</sup>	1.5-10mm <sup>2</sup>
AWG	16-8


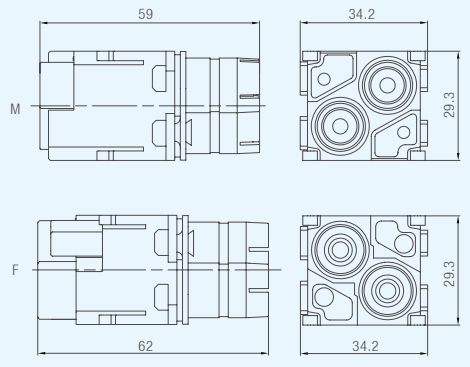
Current carrying capacity

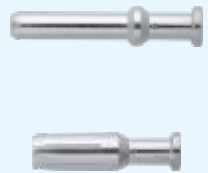
The current carrying capacity of the connector is limited by the thermal load capacity of the contacts and insulating components. The derating curve displays a limited amount of current uniformly and continuously through each contact of the connector at a temperature not exceeding the maximum allowed temperature. Test methods refer to DIN EN 60512-5.




ambient temperature(°C)

① 24B Shell With 3 module, Section surface: 6mm<sup>2</sup>

Description	Type No.	Order No.		Drawing	Dimensions in mm
		Male insert	Female insert		
Cold-pressed connection Cold-pressed pin Order separately  	HDC-HMVC2-MC	113060100505			
	HDC-HMVC2-FC		113060200493		

Description contact pairs	sectional area (mm <sup>2</sup> )	Order No.		Drawing	Dimensions in mm
		Male contact	Female contact		
	1.5	114020501230	114021001146		
	2.5	114020501229	114021001145		
	4	114020501228	114021001144		
	6	114020501227	114021001141		
	10	114020501363	114021001312		

Wire gauges		Stripping Length
1.5mm <sup>2</sup>	AWG16	9mm
2.5mm <sup>2</sup>	AWG14	9mm
4mm <sup>2</sup>	AWG14	9mm
6mm <sup>2</sup>	AWG10	10mm
10mm <sup>2</sup>	AWG8	12mm

Description	Pressure connection diameter /scope of application	Type No.	Order No.
<b>Crimping tool</b> 	0.34-10mm <sup>2</sup>	KNIPEX Four spindle crimping pliers (97 52 65)	531030600052

\*More pinholes can be found on pages 278-283, and more tools can be found on pages 274-277

### Specifications / standard

	IEC 61984
Specifications	IEC 60664-1
	IEC 61373
Approvals	

### Inserts

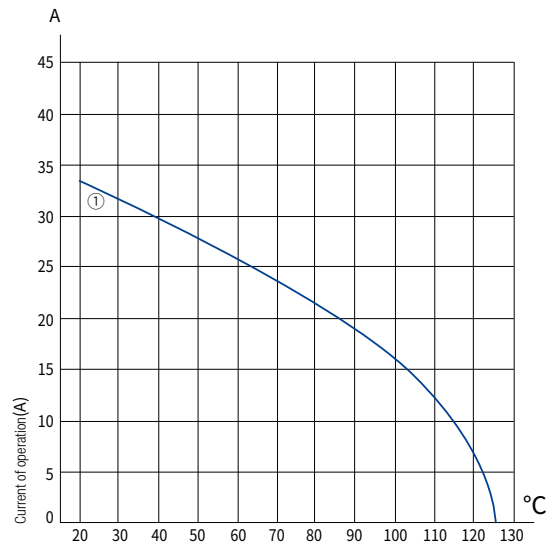
Number of contacts	2
Electrical data acc.to IEC 61984	
Rated Current	16A
Relative rated voltage	2900V
Phase rated voltage	5000V
Insulation resistance	$\geq 10^{10}\Omega$
Rated impulse voltage	15kV
Pollution degree	3
Material	Antiflaming PC / PTFE
Limiting temperatures	-40°C ~ +125°C
Flame retardant rating	EN 45545-2 R22&R23 HL3
Mechanical life	$\geq 500$

### Contacts

Material	Aldary
Surface treatment	gold plating/silver
Contact resistance	$\leq 1m\Omega$
Cold-pressed connection	
mm <sup>2</sup>	0.14-4mm <sup>2</sup>
AWG	26-12
Maximum Cable diameter	8mm

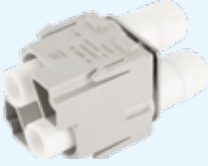
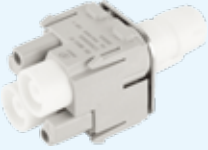
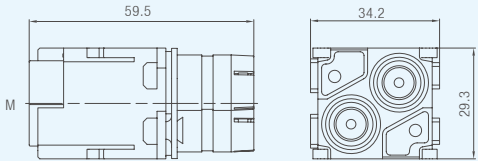
### Current carrying capacity



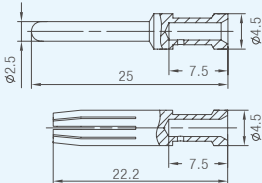


The current carrying capacity of the connector is limited by the thermal load capacity of the contacts and insulating components. The derating curve displays a limited amount of current uniformly and continuously through each contact of the connector at a temperature not exceeding the maximum allowed temperature. Test methods refer to DIN EN 60512-5.




ambient temperature(°C)

① 16B Sheating 带 1 个模块, Section surface: 2.5mm<sup>2</sup>

Description	Type No.	Order No.		Drawing	Dimensions in mm
		Male insert	Female insert		
Cold-pressed connection Cold-pressed pin Order separately    	HDC-HMVE2-MC	113060100507			
	HDC-HMVE2-FC		113060200495		

Description contact pairs	cross-section of conductor (mm <sup>2</sup> )	Order No.		Drawing	Dimensions in mm																								
		Male contact	Female contact																										
gold plating   	0.14-0.37	114020501613	114021001576																										
	0.5	114020501612	114021001577																										
	0.75-1.0	114020501610	114021001582																										
	1.5	114020501620	114021001591																										
	2.5	114020501618	114021001590																										
	4.0	114020501619	114021001581																										
silver plating   	0.14-0.37	114020501621	114021001592	<table border="1"> <thead> <tr> <th colspan="2">Wire gauges</th> <th>Stripping Length</th> </tr> </thead> <tbody> <tr> <td>0.5mm<sup>2</sup></td> <td>AWG20</td> <td>7.5mm</td> </tr> <tr> <td>0.75mm<sup>2</sup></td> <td>AWG18</td> <td>7.5mm</td> </tr> <tr> <td>1mm<sup>2</sup></td> <td>AWG18</td> <td>7.5mm</td> </tr> <tr> <td>1.5mm<sup>2</sup></td> <td>AWG16</td> <td>7.5mm</td> </tr> <tr> <td>2.5mm<sup>2</sup></td> <td>AWG14</td> <td>7.5mm</td> </tr> <tr> <td>4mm<sup>2</sup></td> <td>AWG12</td> <td>7.5mm</td> </tr> <tr> <td>0.14-0.37mm<sup>2</sup></td> <td>AWG26-22</td> <td>7.5mm</td> </tr> </tbody> </table>	Wire gauges		Stripping Length	0.5mm <sup>2</sup>	AWG20	7.5mm	0.75mm <sup>2</sup>	AWG18	7.5mm	1mm <sup>2</sup>	AWG18	7.5mm	1.5mm <sup>2</sup>	AWG16	7.5mm	2.5mm <sup>2</sup>	AWG14	7.5mm	4mm <sup>2</sup>	AWG12	7.5mm	0.14-0.37mm <sup>2</sup>	AWG26-22	7.5mm	
	Wire gauges		Stripping Length																										
	0.5mm <sup>2</sup>	AWG20	7.5mm																										
	0.75mm <sup>2</sup>	AWG18	7.5mm																										
	1mm <sup>2</sup>	AWG18	7.5mm																										
	1.5mm <sup>2</sup>	AWG16	7.5mm																										
2.5mm <sup>2</sup>	AWG14	7.5mm																											
4mm <sup>2</sup>	AWG12	7.5mm																											
0.14-0.37mm <sup>2</sup>	AWG26-22	7.5mm																											
0.5	114020501622	114021001593																											
0.75-1.0	114020501624	114021001595																											
1.5	114020501576	114021001550																											
2.5	114020501560	114021001533																											
4.0	114020501552	114021001525																											

Description	Pressure connection diameter /scope of application	Type No.	Order No.
<b>Crimping tool</b>  	0.14-4.0mm <sup>2</sup>	M22520/1-01(DMC)	531030600020

\*More pinholes can be found on pages 278-283, and more tools can be found on pages 274-277

### Specifications / standard

	IEC 61984
Specifications	IEC 60664-1
	IEC 61373
Approvals	

### Inserts

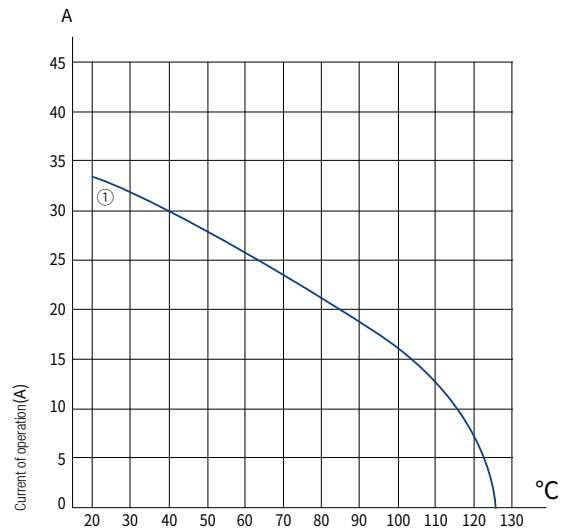
Number of contacts	2
Electrical data acc.to IEC 61984	
Rated Current	16A
Rated Voltage	2500V
Insulation resistance	$\geq 10^{10}\Omega$
Rated impulse voltage	15kV
Pollution degree	3
Material	Antiflaming PC / PTFE
Limiting temperatures	-40°C ~ +125°C
Flame retardant rating	EN 45545-2 R22&R23 HL3
Mechanical life	$\geq 500$

### Contacts

Material	Aldary
Surface treatment	gold plating/silver
Contact resistance	$\leq 1m\Omega$
Cold-pressed connection	
mm <sup>2</sup>	0.14-4mm <sup>2</sup>
AWG	26-12
Maximum Cable diameter	5.5mm

### Current carrying capacity


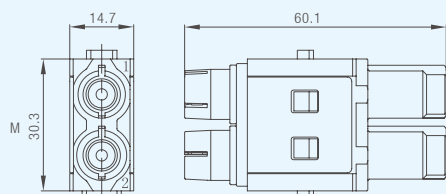
The current carrying capacity of the connector is limited by the thermal load capacity of the contacts and insulating components. The derating curve displays a limited amount of current uniformly and continuously through each contact of the connector at a temperature not exceeding the maximum allowed temperature. Test methods refer to DIN EN 60512-5.


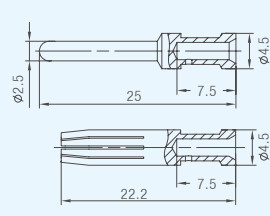
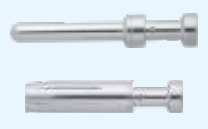



ambient temperature(°C)

① 16BSheating with 1 module, Section surface: 2.5mm<sup>2</sup>



Description	Type No.	Order No.		Drawing	Dimensions in mm
		Male insert	Female insert		
Cold-pressed connection Cold-pressed pin Order separately  	HDC-HMVE2(70A)-MC	113060100506			
	HDC-HMVE2(70A)-FC		113060200494		

Description contact pairs	cross-section of conductor (mm <sup>2</sup> )	Order No.		Drawing	Dimensions in mm																								
		Male contact	Female contact																										
gold plating  	0.14-0.37	114020501613	114021001576																										
	0.5	114020501612	114021001577																										
	0.75-1.0	114020501610	114021001582																										
	1.5	114020501620	114021001591																										
	2.5	114020501618	114021001590																										
	4.0	114020501619	114021001581																										
silver plating  	0.14-0.37	114020501621	114021001592	<table border="1"> <thead> <tr> <th colspan="2">Wire gauges</th> <th>Stripping Length</th> </tr> </thead> <tbody> <tr> <td>0.5mm<sup>2</sup></td> <td>AWG20</td> <td>7.5mm</td> </tr> <tr> <td>0.75mm<sup>2</sup></td> <td>AWG18</td> <td>7.5mm</td> </tr> <tr> <td>1mm<sup>2</sup></td> <td>AWG18</td> <td>7.5mm</td> </tr> <tr> <td>1.5mm<sup>2</sup></td> <td>AWG16</td> <td>7.5mm</td> </tr> <tr> <td>2.5mm<sup>2</sup></td> <td>AWG14</td> <td>7.5mm</td> </tr> <tr> <td>4mm<sup>2</sup></td> <td>AWG12</td> <td>7.5mm</td> </tr> <tr> <td>0.14-0.37mm<sup>2</sup></td> <td>AWG26-22</td> <td>7.5mm</td> </tr> </tbody> </table>	Wire gauges		Stripping Length	0.5mm <sup>2</sup>	AWG20	7.5mm	0.75mm <sup>2</sup>	AWG18	7.5mm	1mm <sup>2</sup>	AWG18	7.5mm	1.5mm <sup>2</sup>	AWG16	7.5mm	2.5mm <sup>2</sup>	AWG14	7.5mm	4mm <sup>2</sup>	AWG12	7.5mm	0.14-0.37mm <sup>2</sup>	AWG26-22	7.5mm	
	Wire gauges		Stripping Length																										
	0.5mm <sup>2</sup>	AWG20	7.5mm																										
	0.75mm <sup>2</sup>	AWG18	7.5mm																										
	1mm <sup>2</sup>	AWG18	7.5mm																										
	1.5mm <sup>2</sup>	AWG16	7.5mm																										
2.5mm <sup>2</sup>	AWG14	7.5mm																											
4mm <sup>2</sup>	AWG12	7.5mm																											
0.14-0.37mm <sup>2</sup>	AWG26-22	7.5mm																											
0.5	114020501622	114021001593																											
0.75-1.0	114020501624	114021001595																											
1.5	114020501576	114021001550																											
2.5	114020501560	114021001533																											
4.0	114020501552	114021001525																											

Description	Pressure connection diameter /scope of application	Type No.	Order No.
<b>Crimping tool</b>  	0.14-4.0mm <sup>2</sup>	M22520/1-01(DMC)	531030600020

\*More pinholes can be found on pages 278-283, and more tools can be found on pages 274-277

### Specifications / standard

	IEC 61984
Specifications	IEC 60664-1
	IEC 61373
Approvals	

### Inserts

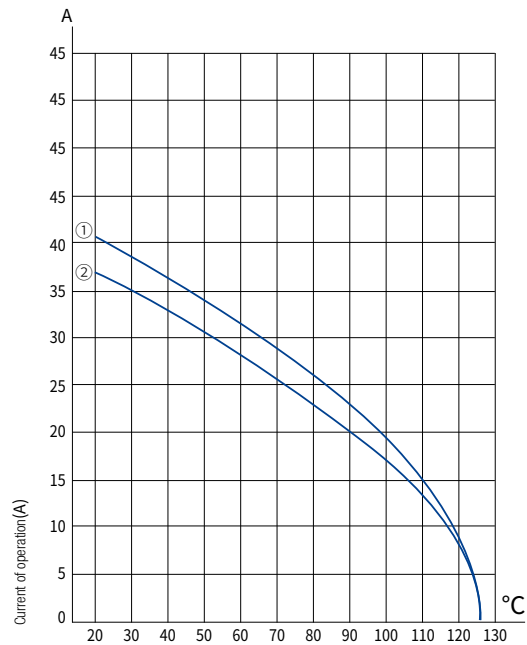
Number of contacts	25
Electrical data acc.to IEC 61984	
Rated Current	5A
Rated Voltage	50V
Insulation resistance	$\geq 10^{10}\Omega$
Rated impulse voltage	0.8kV
Pollution degree	3
Material	Antiflaming PC
Limiting temperatures	-40°C ~ +125°C
Flame retardant rating	EN 45545-2 R22&R23 HL3
Mechanical life	$\geq 500$

### Contacts

Material	Aldary
Surface treatment	gold plating
Contact resistance	$\leq 3m\Omega$
Cold-pressed connection	
mm <sup>2</sup>	0.35-0.5mm <sup>2</sup>
AWG	26-20


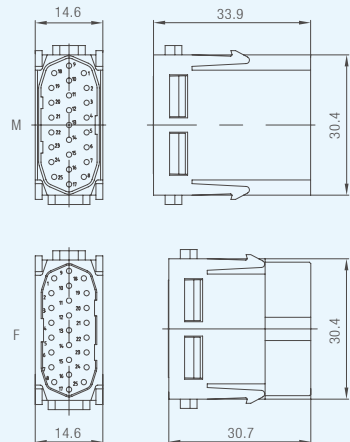

### Current carrying capacity


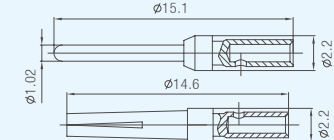

The current carrying capacity of the connector is limited by the thermal load capacity of the contacts and insulating components. The derating curve displays a limited amount of current uniformly and continuously through each contact of the connector at a temperature not exceeding the maximum allowed temperature. Test methods refer to DIN EN 60512-5.





ambient temperature(°C)

- ① 24B Shell With 6 module, Section surface: 0.5mm<sup>2</sup> 车削针
- ② 24B Shell With 6 module, Section surface: 0.5mm<sup>2</sup> 冲压针


Description	Type No.	Order No.		Drawing	Dimensions in mm
		Male insert	Female insert		
Cold-pressed connection Cold-pressed pin Order separately 	HDC-HM25-MC	113060100509			
	HDC-HM25-FC		113060200498		

Description contact pairs	sectional area (mm <sup>2</sup> )	Order No.		Drawing	Dimensions in mm									
		Male contact	Female contact											
	0.35	114020500411	114021000330											
	0.5	114020500408	114021000328		<table border="1"> <thead> <tr> <th colspan="2">Wire gauges</th> <th>Stripping Length</th> </tr> </thead> <tbody> <tr> <td>0.35mm<sup>2</sup></td> <td>AWG26-22</td> <td>4mm</td> </tr> <tr> <td>0.5mm<sup>2</sup></td> <td>AWG22-20</td> <td>4mm</td> </tr> </tbody> </table>	Wire gauges		Stripping Length	0.35mm <sup>2</sup>	AWG26-22	4mm	0.5mm <sup>2</sup>	AWG22-20	4mm
Wire gauges		Stripping Length												
0.35mm <sup>2</sup>	AWG26-22	4mm												
0.5mm <sup>2</sup>	AWG22-20	4mm												

Description	Pressure connection diameter /scope of application	Type No.	Order No.
<b>Crimping tool</b> 	0.14-0.75mm <sup>2</sup>	YJQ-YG07	531030672783
<b>Needle withdrawal tool</b> 	5A Cold-pressed pin	HDC-DSUB9-CX	113030400145

\*More pinholes can be found on pages 278-283, and more tools can be found on pages 274-277

### Specifications / standard



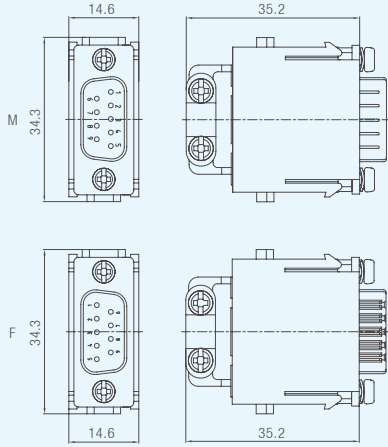
	IEC 61984
Specifications	IEC 60664-1
	IEC 61373
Approvals	



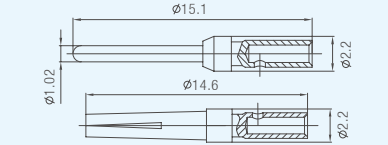
### Inserts

Number of contacts	9
Electrical data acc.to IEC 61984	
Rated Current	5A
Rated Voltage	50V
Insulation resistance	$\geq 10^{10}\Omega$
Rated impulse voltage	0.8kV
Pollution degree	3
Material	Antiflaming PC
Limiting temperatures	-40°C ~ +125°C
Flame retardant rating	EN 45545-2 R22&R23 HL3
Mechanical life	$\geq 500$



### Contacts

Material	Aldary
Surface treatment	gold plating
Contact resistance	$\leq 3m\Omega$
Cold-pressed connection	
mm <sup>2</sup>	0.35-0.5mm <sup>2</sup>
AWG	26-20

Description	Type No.	Order No.		Drawing	Dimensions in mm
		Male insert	Female insert		
Cold-pressed connection Cold-pressed pin Order separately    	HDC-HMDB9-MC	113060100510			
	HDC-HMDB9-FC		113060200499		


Description contact pairs	sectional area (mm <sup>2</sup> )	Order No.		Drawing	Dimensions in mm
		Male contact	Female contact		
  	0.35	114020500411	114021000330		
	0.5	114020500408	114021000328		

Wire gauges		Stripping Length
0.35mm <sup>2</sup>	AWG26-22	4mm
0.5mm <sup>2</sup>	AWG22-20	4mm

Description	Pressure connection diameter /scope of application	Type No.	Order No.
Crimping tool  	0.14-0.75mm <sup>2</sup>	YJQ-YG07	531030672783
Needle withdrawal tool  	5A Cold-pressed pin	HDC-DSUB9-CX	113030400145

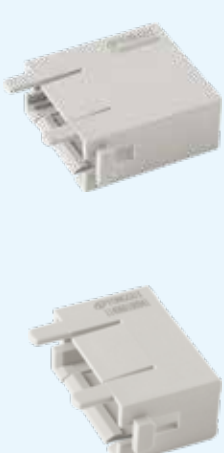
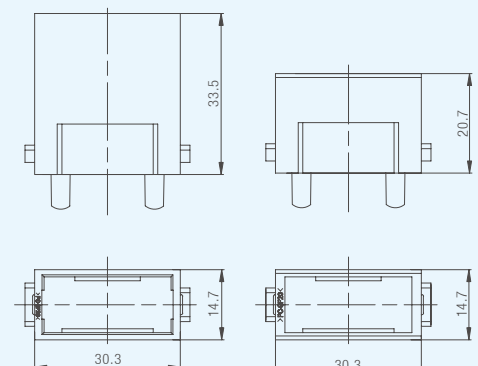

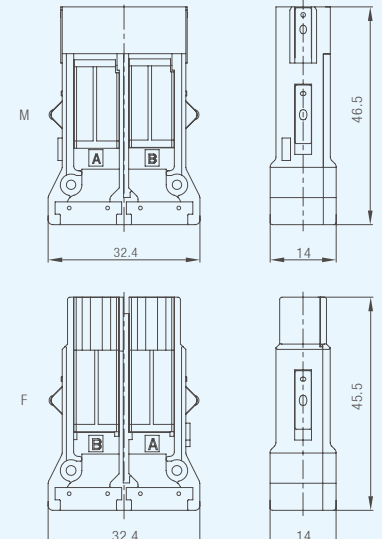

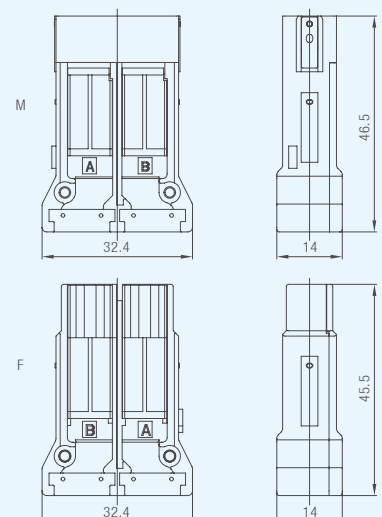
\*More pinholes can be found on pages 278-283, and more tools can be found on pages 274-277


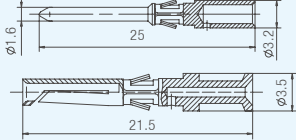
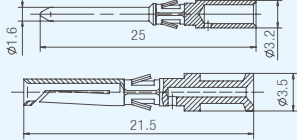



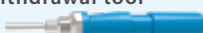
### Specifications / standard

	IEC 61984
Specifications	IEC 60664-1
	IEC 61373
Approvals	

### Inserts

Number of contacts	8
Electrical data acc. to IEC 61984	
Rated operational current	10A
Rated operational voltage	50V
Rated impulse voltage	0.8kV
Pollution degree	3
Insulation resistance	$\geq 10^{10}\Omega$
Contact resistance	$\leq 3m\Omega$
Shield Contact resistance	$\leq 10m\Omega$
Limiting temperatures	-40°C ~ +85°C
Flame retardant rating	EN 45545-2 R22&R23 HL3
Mechanical life	$\geq 500$
Transmission speed	100Mbit/s
Shield Material	Zincalloy
Core Material	PC


Description	Type No.	Order No.		Drawing	Dimensions in mm
		Male insert	Female insert		
	HDC-HMMB-M	114060102599			
	HDC-HMMB-F		114060202370		
Cold-pressed connection Cold-pressed pin Order separately 	HDC-HMMB8-MC	112010103653			
	HDC-HMMB8-FC		112020104063		
	HDC-HMMB8-MC	112012001089			
	HDC-HMMB8-FC		112022001380		

Description contact pairs	cross-section of conductor (mm <sup>2</sup> )	Order No.		Drawing	Dimensions in mm																		
		Male contact	Female contact																				
gold plating  	0.5	115210010802	115310016102		<table border="1"> <thead> <tr> <th colspan="2">Wire gauges</th> <th>Stripping Length</th> </tr> </thead> <tbody> <tr> <td>0.5mm<sup>2</sup></td> <td>AWG20</td> <td>8mm</td> </tr> <tr> <td>0.75-1mm<sup>2</sup></td> <td>AWG18</td> <td>8mm</td> </tr> <tr> <td>1.5mm<sup>2</sup></td> <td>AWG16</td> <td>8mm</td> </tr> <tr> <td>2.5mm<sup>2</sup></td> <td>AWG14</td> <td>6mm</td> </tr> <tr> <td>0.14-0.37mm<sup>2</sup></td> <td>AWG26-22</td> <td>8mm</td> </tr> </tbody> </table>	Wire gauges		Stripping Length	0.5mm <sup>2</sup>	AWG20	8mm	0.75-1mm <sup>2</sup>	AWG18	8mm	1.5mm <sup>2</sup>	AWG16	8mm	2.5mm <sup>2</sup>	AWG14	6mm	0.14-0.37mm <sup>2</sup>	AWG26-22	8mm
	Wire gauges		Stripping Length																				
	0.5mm <sup>2</sup>	AWG20	8mm																				
	0.75-1mm <sup>2</sup>	AWG18	8mm																				
	1.5mm <sup>2</sup>	AWG16	8mm																				
2.5mm <sup>2</sup>	AWG14	6mm																					
0.14-0.37mm <sup>2</sup>	AWG26-22	8mm																					
0.75-1.0	115210010804	115310016104																					
1.5	115210010805	115310016105																					
2.5	115210010901	115310016106																					
0.14-0.37	115210010801	115310016101																					
silver plating  	0.5	115210010807	115310016108																				
	0.75-1.0	115210010809	115310016110																				
	1.5	115210010810	115310016111																				
	2.5	115210010902	115310016112																				
	0.14-0.37	115210010806	115310016107																				
Description	Pressure connection diameter /scope of application		Type No.	Order No.																			
<b>Crimping tool</b> 	0.14-4.0mm <sup>2</sup>		M22520/1-01(DMC)	531030600020																			
<b>Needle withdrawal tool</b> 	10A Cold-pressed pin		HDC-HD-CX	113030400143																			

\*More pinholes can be found on pages 278-283, and more tools can be found on pages 274-277



**Specifications / standard**

	IEC 61984
Specifications	IEC 60664-1
	IEC 61373
Approvals	

**Inserts**


Number of contacts	2×8
Electrical data acc. to IEC 61984	
Rated operational current	0.5A
Rated operational voltage	50V
Rated impulse voltage	0.8kV
Pollution degree	3
Insulation resistance	$\geq 10^4 M\Omega$
Material	antiflaming PC
Limiting temperatures	-40°C ~ +125°C
Flame retardant rating	EN 45545-2 R22&R23 HL3
Mechanical life	$\geq 500$
Transmission speed	10000 Mbit/s
Sheating Material	Zincalloy

**Contacts**

Material	Aldary
Surface treatment	gold plating
Contact resistance	$\leq 12m\Omega$
Cold-pressed connection	
mm <sup>2</sup>	0.25-0.34mm <sup>2</sup>
AWG	28-22

Description	Type No.	Order No.		Drawing	Dimensions in mm						
		Male insert	Female insert								
	HDC-HMTB8-MC	113020101276									
	HDC-HMTB8-FC		113020601819								
	HDC-HMTB8-MC	113020101271									
	HDC-HMTB8-FC		113020601815								
	HDC-HMTB8-MC	113020101275									
	HDC-HMTB8-FC		113020601818								
Description 压接针	cross-section of conductor (mm <sup>2</sup> )	Order No.		Drawing	Dimensions in mm						
		Male contact	Female contact								
	0.25-0.34mm <sup>2</sup>	114020502004	114021002533		<table border="1"> <thead> <tr> <th>Wire gauges</th> <th>Stripping Length</th> </tr> </thead> <tbody> <tr> <td>0.25-0.34mm<sup>2</sup></td> <td>AWG28-22</td> </tr> <tr> <td></td> <td>4mm</td> </tr> </tbody> </table>	Wire gauges	Stripping Length	0.25-0.34mm <sup>2</sup>	AWG28-22		4mm
Wire gauges	Stripping Length										
0.25-0.34mm <sup>2</sup>	AWG28-22										
	4mm										
Description	Pressure connection diameter /scope of application	Type No.	Order No.								
<b>Crimping tool</b> 	0.14-0.75mm <sup>2</sup>	YJQ-YG07	531030672783								

**Specifications / standard**


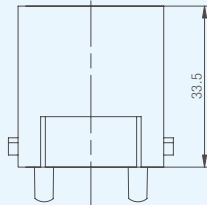
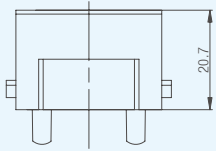

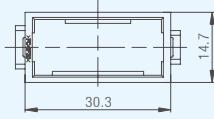
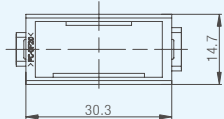

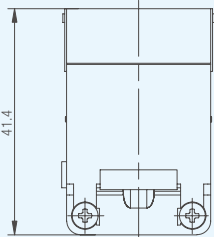
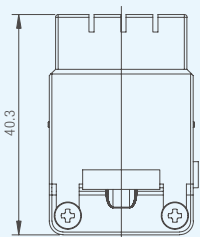

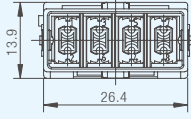
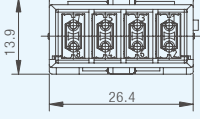

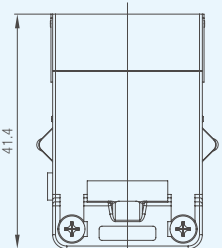
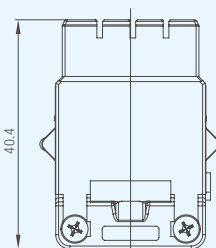

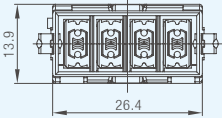
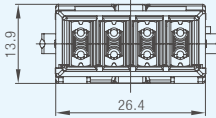
	IEC 61984
Specifications	IEC 60664-1
	IEC 61373
Approvals	


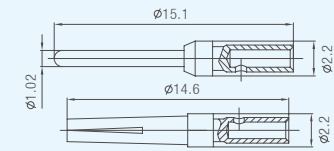

**Inserts**

Number of contacts	8
Electrical data acc.to IEC 61984	
Rated Current	5A
Rated Voltage	50V
Insulation resistance	$\geq 10^{10}\Omega$
Rated impulse voltage	0.8kV
Pollution degree	3
Material	Antiflaming PC
Limiting temperatures	-40°C~ +125°C
Flame retardant rating	EN 45545-2 R22&R23 HL3
Mechanical life	$\geq 500$
Transmission speed	10000 Mbit/s
Sheating Material	Zincalloy

**Contacts**


Material	Aldary
Surface treatment	gold plating
Contact resistance	$\leq 3m\Omega$
Cold-pressed connection	
mm <sup>2</sup>	0.35-0.75mm <sup>2</sup>
AWG	26-18

Description	Type No.	Order No.		Drawing	Dimensions in mm
		Male insert	Female insert		
	HDC-HMMB-M	114060102599			
	HDC-HMMB-F		114060202370		
	HDC-HMGB8-MC	112010103884			
	HDC-HMGB8-FC		112020104331		
	HDC-HMGB8-MC	112012001071			
	HDC-HMGB8-FC		112022001362		

Description contact pairs	sectional area (mm <sup>2</sup> )	Order No.		Drawing	Dimensions in mm									
		Male contact	Female contact											
	0.35	114020500411	114021000330		<table border="1"> <thead> <tr> <th colspan="2">Wire gauges</th> <th>Stripping Length</th> </tr> </thead> <tbody> <tr> <td>0.35mm<sup>2</sup></td> <td>AWG26-22</td> <td>4mm</td> </tr> <tr> <td>0.5mm<sup>2</sup></td> <td>AWG22-20</td> <td>4mm</td> </tr> </tbody> </table>	Wire gauges		Stripping Length	0.35mm <sup>2</sup>	AWG26-22	4mm	0.5mm <sup>2</sup>	AWG22-20	4mm
	Wire gauges		Stripping Length											
0.35mm <sup>2</sup>	AWG26-22	4mm												
0.5mm <sup>2</sup>	AWG22-20	4mm												
	0.5	114020500408	114021000328											
Description		Pressure connection diameter /scope of application		Type No.	Order No.									
<b>Crimping tool</b> 		0.14-0.75mm <sup>2</sup>		YJQ-YG07	531030672783									

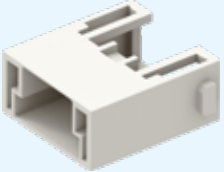
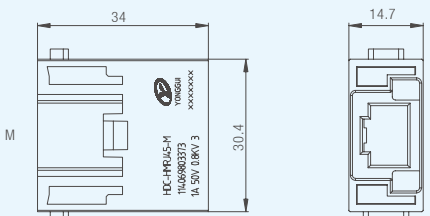
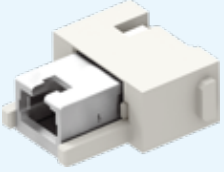

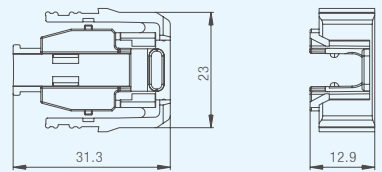
\*More pinholes can be found on pages 278-283, and more tools can be found on pages 274-277

### Specifications / standard

	IEC 61984
Specifications	IEC 60664-1
	IEC 61373
Approvals	

### Inserts

Number of contacts	8
Electrical data acc.to IEC 61984	
Rated Current	1A
Rated Voltage	50V
Insulation resistance	$\geq 10^{10}\Omega$
Rated impulse voltage	0.8kV
Mechanical life	$\geq 500$
Transmission speed	10000 Mbit/s
shieldMaterial	Zincalloy
Limiting temperatures	-40°C~ +125°C
Flame retardant rating	EN 45545-2 R22&R23 HL3
Conductor specification	Cable
Material	Antiflaming PC

Description	Type No.	Order No.		Drawing	Dimensions in mm
		Male insert	Female insert		
	HDC-HMRJ45-M	114069803373			
	HDC-HMRJ45-F		114069803374		
	HDC-HMRJ45-APT/2	114069803375			

### Specifications / standard

	IEC 61984
Specifications	IEC 60664-1
	IEC 61373
Approvals	<b>CE</b>

### Inserts


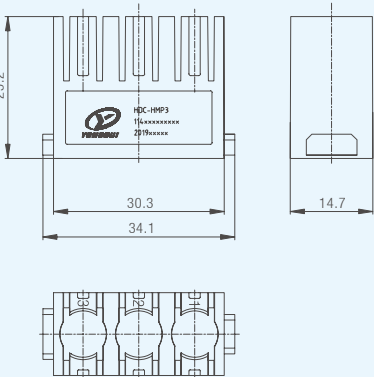

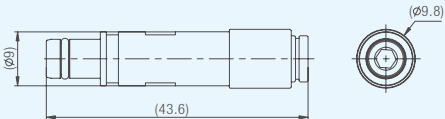

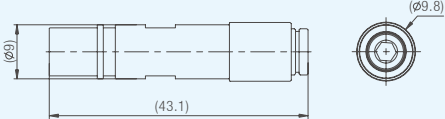

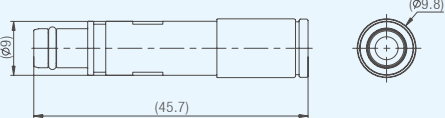

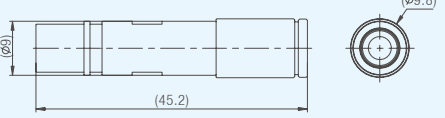
Number of contacts	3
Material	Antiflaming PC
Limiting temperatures	-40°C ~ +85°C
Flame retardant rating	EN 45545-2 R22&R23 HL3
Mechanical life	≥ 500

### Contacts

Material	Aldary
Inner diameter	Φ4/Φ6
Working pressure	Max 8bar/116psi

Shell / Series A  
Shell / Series B  
Shell / Series P  
Inserts / Series D  
Inserts / Series E  
**Inserts / Series M**  
Inserts / Series H  
Inserts / Series Q  
Inserts / Series K (Hybrid)  
Inserts / Series C  
Inserts / Anti-Open Circuit  
Accessory



Description	Type No.	Order No.		Drawing    Dimensions in mm
Pneumatic module Pneumatic contact needs to be purchased separately 	HDC-HMP3	114060102419		
Description	Type No.	Order No.		Drawing    Dimensions in mm
		Male insert	Female insert	
	HDC-HMP(φ4)-M	113020101123		
	HDC-HMP(φ4)-F		113020601618	
	HDC-HMP(φ6)-M	113020101122		
	HDC-HMP(φ6)-F		113020601617	

### Specifications / standard

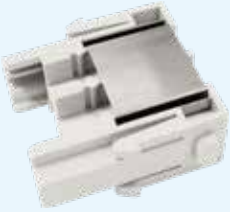
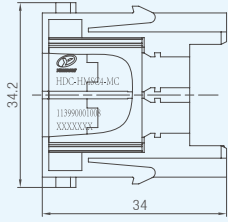
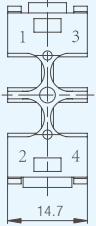

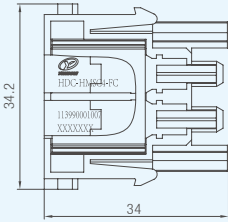
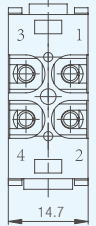

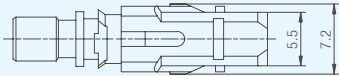
	IEC 61984
Specifications	IEC 60664-1
	IEC 61373

Approvals **CE**

### Inserts

Number of contacts	4
Insertion loss	< 0.5dB
Material	Antiflaming PC
Limiting temperatures	-40°C~ +75°C
Flame retardant rating	EN 45545-2 R22&R23 HL3
Mechanical life	≥ 500

Shell / Series A  
Shell / Series B  
Shell / Series P  
Inserts / Series D  
Inserts / Series E  
**Inserts / Series M**  
Inserts / Series N  
Inserts / Series Q  
Inserts / Series K (Hybrid)  
Inserts / Series C  
Inserts / Anti-Open Circuit  
Accessory

Description	Type No.	Order No.		Drawing	Dimensions in mm
		Male insert	Female insert		
Transceiver module SC Optical connectors need to be purchased separately 	HDC-HMSC4-MC	113990001008			
	HDC-HMSC4-FC		113990001007		
Optical fiber module 	HDC-HMSC-M(F)C	113990000927			

### Specifications / standard

	IEC 61984
Specifications	IEC 60664-1
	IEC 61373
Approvals	<b>CE</b>


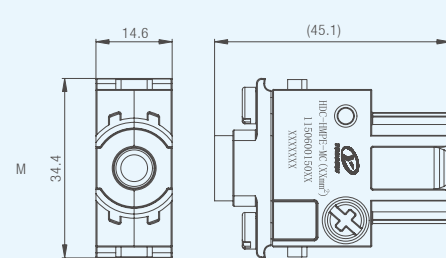

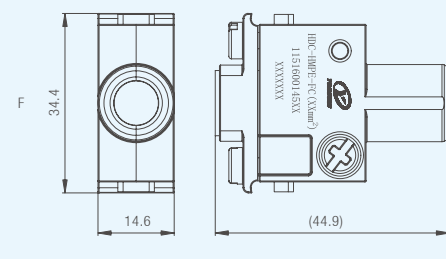

### Inserts

Number of contact	1
Electrical data acc.to IEC 61984	
Material	Zinc-alloy
Limiting temperat	-40°C ~ +125°C
Mechanical life	≥ 500

### Contacts

Material	Aldary
Surface treatment	silver plating
Contact resistance	≤0.3mΩ
Cold-pressed connection	
mm <sup>2</sup>	10-35mm <sup>2</sup>
AWG	8-2

Shell / Series A  
Shell / Series B  
Shell / Series P  
Inserts / Series D  
Inserts / Series E  
**Inserts / Series M**  
Inserts / Series H  
Inserts / Series Q  
Inserts / Series K (Hybrid)  
Inserts / Series C  
Inserts / Anti-Open Circuit  
Accessory

Description	Type No.	Order No.		Drawing	Dimensions in mm
		Male insert	Female insert		
	HDC-HMPE-MC (10mm <sup>2</sup> )	115060015001			
	HDC-HMPE-MC (25mm <sup>2</sup> )	115060015002			
	HDC-HMPE-MC (16mm <sup>2</sup> )	115060015003			
	HDC-HMPE-MC (35mm <sup>2</sup> )	115060015004			
	HDC-HMPE-FC (10mm <sup>2</sup> )		115160014501		
	HDC-HMPE-FC (25mm <sup>2</sup> )		115160014502		
	HDC-HMPE-FC (16mm <sup>2</sup> )		115160014503		
	HDC-HMPE-FC (35mm <sup>2</sup> )		115160014504		
Description	Pressure connection diameter /scope of application		Type No.	Order No.	
<b>Crimping tool</b> 	6-120mm <sup>2</sup> Use with crimping tooling		EK60/22	531030600010	

Shell / Series A  
 Shell / Series B  
 Shell / Series P  
 Insert / Series D  
 Insert / Series E  
**Insert / Series M**  
 Insert / Series II  
 Insert / Series Q  
 Insert / Series K (Hyond)  
 Insert / Series C  
 Insert / Anti-Open Circuit  
 Accessory

### Specifications / standard

	IEC 61984
Specifications	IEC 60664-1
	IEC 61373
Approvals	<b>CE</b>


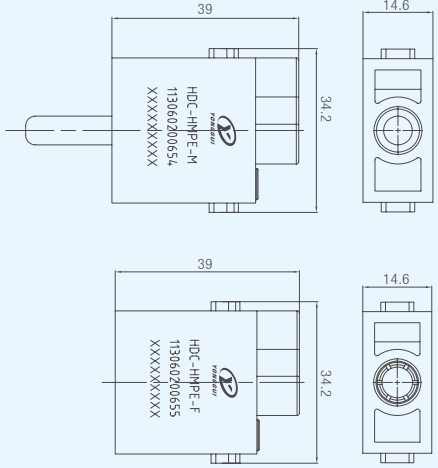

### Inserts

Number of contacts	1
Material	antiflaming PC
Limiting temperatures	-40°C ~ +125°C
Flame Resistance	EN 45545-2 R22&R23 HL3
Mechanical life	≥ 500

### Contacts

Material	Aldary
Surface treatment	silver plating
Contact resistance	≤0.5mΩ
Bolted connection	
mm <sup>2</sup>	1.5-16mm <sup>2</sup>

Shell / Series A  
Shell / Series B  
Shell / Series P  
Inserts / Series D  
Inserts / Series E  
**Inserts / Series M**  
Inserts / Series H  
Inserts / Series Q  
Inserts / Series K (Hybrid)  
Inserts / Series C  
Inserts / Anti-Open Circuit  
Accessory





Description	Type No.	Order No.		Drawing	Dimensions in mm
		Male insert	Female insert		
	HDC-HMPE-M	113060200654			
	HDC-HMPE-F		113060200655		

## N Series connector



# N Series



Series	HDC-HN Insert	
Description		
Number of contacts	10	16
mode of connection	Cold-pressed connection	Cold-pressed connection
Matching housing specifications	B49	16BN/32BN
Electrical data acc.toIEC 61984	16A 250V 4kV 3	16A 250V 4kV 3
Wiring specification	0.14-4mm <sup>2</sup>	0.14-4mm <sup>2</sup>
Male contacts	112980000320	113060100626
Female contacts	112980000321	113060200631
Description		
Number of contacts	15	25
mode of connection	Cold-pressed connection	Cold-pressed connection
Matching housing specifications	B49	16BN/32BN
Electrical data acc.toIEC 61984	10A 250V 4kV 3	10A 250V 4kV 3
Wiring specification	0.14-2.5mm <sup>2</sup>	0.14-2.5mm <sup>2</sup>
Male contacts	112980000322	113060100654
Female contacts	112980000323	113060200664

Specifications / standard

	IEC 61984
Specifications	IEC 60664-1
	IEC 61373
Approvals	<b>CE</b>

Inserts

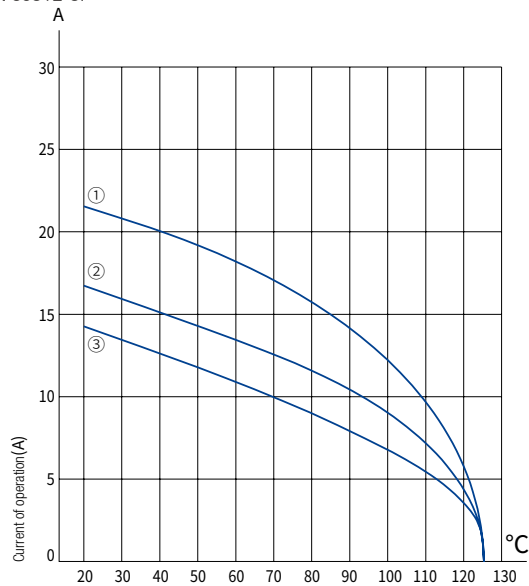
Number of contacts	10
Electrical data acc.to IEC 61984	
Rated Current	16A
Rated Voltage	250V
Insulation resistance	$\geq 10^{10} \Omega$
Rated impulse voltage	4KV
Pollution degree	3
Material	antiflaming PC
Limiting temperatures	-40°C ~ +125°C
Flame Resistance	EN 45545-2 R22&R23 HL3
Mechanical life	$\geq 500$

Contacts

Material	Aldary
Surface treatment	gold plating/silver
Contact resistance	$\leq 1m\Omega$
Cold-pressed connection	
mm <sup>2</sup>	0.14-4mm <sup>2</sup>
AWG	26-12

Current carrying capacity

The Current carrying capacity of the connector is limited by the thermal load capacity of the contact and insulation components. The derating curve displays a limited amount of current uniformly and continuously through each contact of the connector at a temperature not exceeding the maximum allowed temperature. Test methods refer to DIN EN 60512-5.



ambient temperature(°C )  
 ① Section surface: 2.5mm<sup>2</sup>  
 ② Section surface: 1.5mm<sup>2</sup>  
 ③ Section surface: 1mm<sup>2</sup>

Number of contacts

10 +

Shellsize: Matches the B49 Shell, Cold-pressed connection Cold press pins need to be ordered separately

Description	Type No.	Order No.		Drawing	Dimensions in mm
		Male insert	Female insert		
	A10EM	112980000320		<p>Maximum distance between connectors 21mm</p> <p>Dimensions of panel mounting holes</p> <p>Contact face position arrangement</p>	
	A10EF	112980000321			

Description contact pairs	sectional area (mm <sup>2</sup> )	Order No.		Drawing	Dimensions in mm																										
		Male contact	Female contact																												
<p>gold plating</p>	0.5	115210000708	115310005101	<table border="1"> <thead> <tr> <th colspan="2">Wire gauges</th> <th>Stripping Length</th> </tr> </thead> <tbody> <tr> <td>0.5mm<sup>2</sup></td> <td>AWG20</td> <td>7.5mm</td> </tr> <tr> <td>0.75mm<sup>2</sup></td> <td>AWG18</td> <td>7.5mm</td> </tr> <tr> <td>1.0mm<sup>2</sup></td> <td>AWG18</td> <td>7.5mm</td> </tr> <tr> <td>1.5mm<sup>2</sup></td> <td>AWG16</td> <td>7.5mm</td> </tr> <tr> <td>2.5mm<sup>2</sup></td> <td>AWG14</td> <td>7.5mm</td> </tr> <tr> <td>4.0mm<sup>2</sup></td> <td>AWG12</td> <td>7.5mm</td> </tr> <tr> <td>0.14-0.37mm<sup>2</sup></td> <td>AWG26-22</td> <td>7.5mm</td> </tr> </tbody> </table>	Wire gauges		Stripping Length	0.5mm <sup>2</sup>	AWG20	7.5mm	0.75mm <sup>2</sup>	AWG18	7.5mm	1.0mm <sup>2</sup>	AWG18	7.5mm	1.5mm <sup>2</sup>	AWG16	7.5mm	2.5mm <sup>2</sup>	AWG14	7.5mm	4.0mm <sup>2</sup>	AWG12	7.5mm	0.14-0.37mm <sup>2</sup>	AWG26-22	7.5mm	0.75	115210000709	115310005102
	Wire gauges		Stripping Length																												
	0.5mm <sup>2</sup>	AWG20	7.5mm																												
	0.75mm <sup>2</sup>	AWG18	7.5mm																												
	1.0mm <sup>2</sup>	AWG18	7.5mm																												
	1.5mm <sup>2</sup>	AWG16	7.5mm																												
2.5mm <sup>2</sup>	AWG14	7.5mm																													
4.0mm <sup>2</sup>	AWG12	7.5mm																													
0.14-0.37mm <sup>2</sup>	AWG26-22	7.5mm																													
1.0	115210000710	115310005103																													
1.5	115210000711	115310005104																													
2.5	115210000712	115310005105																													
4.0	115210000713	115310005106																													
0.14-0.37	115210000714	115310005107																													
<p>silver plating</p>	0.5	115210000701	115310001001																												
	0.75	115210000702	115310001002																												
	1.0	115210000703	115310001003																												
	1.5	115210000704	115310001004																												
	2.5	115210000705	115310001005																												
	4.0	115210000706	115310001006																												
0.14-0.37	115210000707	115310001007																													

Description	Pressure connection diameter /scope of application	Type No.	Order No.
<p>Crimping tool</p>	0.14-4.0mm <sup>2</sup>	M22520/1-01(DMC)	531030600020
<p>Needle withdrawal tool</p>	Male contact	RT-3	113030400018
	Female contact	RT-2	113030400017

\*More pinholes can be found on pages 278-283, and more tools can be found on pages 274-277

**Specifications / standard**

	IEC 61984
Specifications	IEC 60664-1
	IEC 61373

 Approvals **CE**
**Inserts**

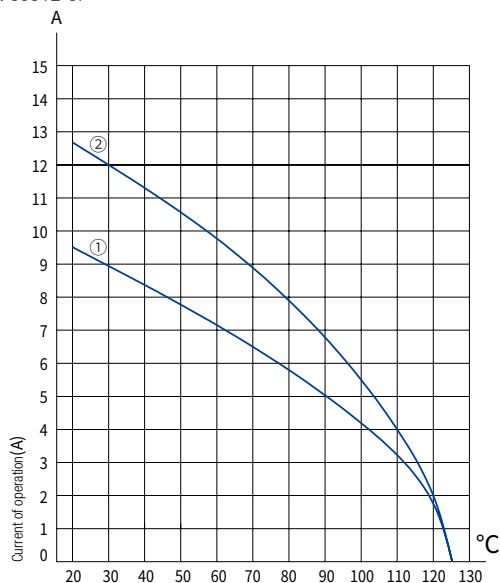
Number of contacts	15
Electrical data acc.to IEC 61984	
Rated Current	10A
Rated Voltage	250V
Insulation resistance	$\geq 10^{10} \Omega$
Rated impulse voltage	4KV
Pollution degree	3
Material	antiflaming PC
Limiting temperatures	-40°C ~ +125°C
Flame Resistance	EN 45545-2 R22&R23 HL3
Mechanical life	$\geq 500$

**Contacts**

Material	Aldary
Surface treatment	gold plating/silver
Contact resistance	$\leq 3m\Omega$
Cold-pressed connection	
mm <sup>2</sup>	0.14-2.5mm <sup>2</sup>
AWG	26-14

**Current carrying capacity**

The Current carrying capacity of the connector is limited by the thermal load capacity of the contact and insulation components. The derating curve displays a limited amount of current uniformly and continuously through each contact of the connector at a temperature not exceeding the maximum allowed temperature. Test methods refer to DIN EN 60512-5.


**ambient temperature(°C )**

 ① Section surface: 0.75mm<sup>2</sup>

 ② Section surface: 1.5mm<sup>2</sup>

Number of contacts

15 +

Shellsize:Matches the B49 Shell, Cold-pressed connection Cold press pins need to be ordered separately

Description	Type No.	Order No.		Drawing	Dimensions in mm
		Male insert	Female insert		
	B15M	112980000322		<p>Maximum distance between connectors 21mm</p>	
	B15F		112980000323		<p>Dimensions of panel mounting holes</p> <p>Contact face position arrangement</p>

Description contact pairs	sectional area (mm <sup>2</sup> )	Order No.		Drawing	Dimensions in mm																				
		Male contact	Female contact																						
<p>gold plating</p>	0.5	115210001208	115310001308																						
	0.75	115210001209	115310001309																						
	1.0	115210001210	115310001310																						
	1.5	115210001211	115310001311																						
	2.5	115210001212	115310001312																						
<p>silver plating</p>	0.14-0.37	115210001207	115310001307	<table border="1"> <thead> <tr> <th colspan="2">Wire gauges</th> <th>Stripping Length</th> </tr> </thead> <tbody> <tr> <td>0.5mm<sup>2</sup></td> <td>AWG20</td> <td>7.0mm</td> </tr> <tr> <td>0.75mm<sup>2</sup></td> <td>AWG18</td> <td>7.0mm</td> </tr> <tr> <td>1.0mm<sup>2</sup></td> <td>AWG18</td> <td>7.0mm</td> </tr> <tr> <td>1.5mm<sup>2</sup></td> <td>AWG16</td> <td>7.0mm</td> </tr> <tr> <td>2.5mm<sup>2</sup></td> <td>AWG14</td> <td>7.0mm</td> </tr> <tr> <td>0.14-0.37mm<sup>2</sup></td> <td>AWG26-12</td> <td>7.0mm</td> </tr> </tbody> </table>	Wire gauges		Stripping Length	0.5mm <sup>2</sup>	AWG20	7.0mm	0.75mm <sup>2</sup>	AWG18	7.0mm	1.0mm <sup>2</sup>	AWG18	7.0mm	1.5mm <sup>2</sup>	AWG16	7.0mm	2.5mm <sup>2</sup>	AWG14	7.0mm	0.14-0.37mm <sup>2</sup>	AWG26-12	7.0mm
	Wire gauges		Stripping Length																						
	0.5mm <sup>2</sup>	AWG20	7.0mm																						
	0.75mm <sup>2</sup>	AWG18	7.0mm																						
	1.0mm <sup>2</sup>	AWG18	7.0mm																						
1.5mm <sup>2</sup>	AWG16	7.0mm																							
2.5mm <sup>2</sup>	AWG14	7.0mm																							
0.14-0.37mm <sup>2</sup>	AWG26-12	7.0mm																							
0.5	115210001202	115310001302																							
0.75	115210001203	115310001303																							
1.0	115210001204	115310001304																							
1.5	115210001205	115310001305																							
2.5	115210001206	115310001306																							
0.14-0.37	115210001201	115310001301																							

Description	Pressure connection diameter /scope of application	Type No.	Order No.
<p>Crimping tool</p>	0.14-4.0mm <sup>2</sup>	M22520/1-01(DMC)	531030600020
<p>Needle withdrawal tool</p>	Cold-pressed pin	RT-2	113030400017

\*More pinholes can be found on pages 278-283, and more tools can be found on pages 274-277

Specifications / standard

	IEC 61984
Specifications	IEC 60664-1
	IEC 61373

Approvals **CE**

Inserts

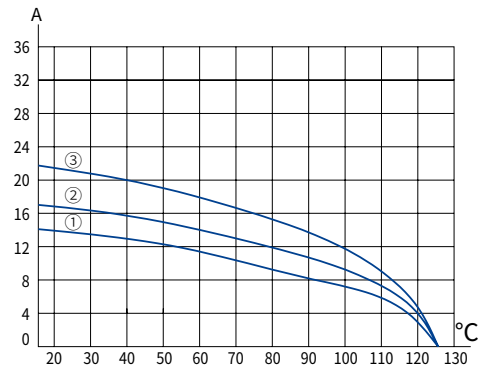
Number of contacts	16
Electrical data acc.to IEC 61984	
Rated Current	16A
Rated Voltage	250V
Insulation resistance	$\geq 10^{10} \Omega$
Rated impulse voltage	4KV
Pollution degree	3
Material	antiflaming PC
Limiting temperatures	-40°C ~ +125°C
Flame Resistance	EN 45545-2 R22&R23 HL3
Mechanical life	$\geq 500$

Contacts

Material	Aldary
Surface treatment	gold plating/silver
Contact resistance	$\leq 1m\Omega$
Cold-pressed connection	
mm <sup>2</sup>	0.14-4mm <sup>2</sup>
AWG	26-12

Current carrying capacity

The Current carrying capacity of the connector is limited by the thermal load capacity of the contact and insulation components. The derating curve displays a limited amount of current uniformly and continuously through each contact of the connector at a temperature not exceeding the maximum allowed temperature. Test methods refer to DIN EN 60512-5.



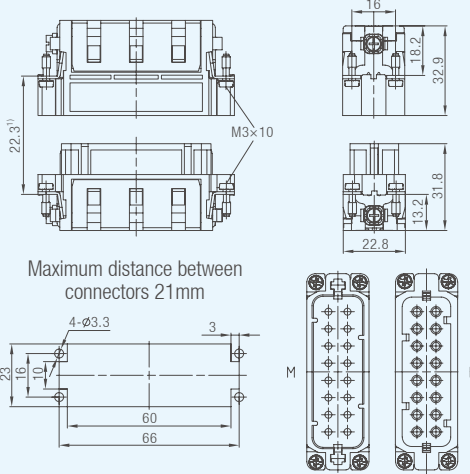



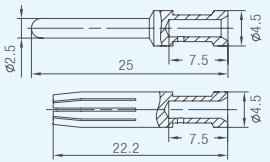
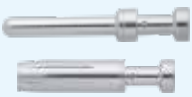
ambient temperature(°C)



- ① Section surface: 1.0mm<sup>2</sup>
- ② Section surface: 1.5mm<sup>2</sup>
- ③ Section surface: 2.5mm<sup>2</sup>

**Number of contacts**
**16 +**

Shellsize: Matches the 16BN 32BN Shell, Cold-pressed connection Cold press pins need to be ordered separately

Description	Type No.	Order No.		Drawing	Dimensions in mm
		Male insert	Female insert		
Cold-pressed connection   	HDC-HEN16-MC	113060100626		 <p>Maximum distance between connectors 21mm</p> <p>Dimensions of panel mounting holes</p> <p>Contact face position arrangement</p>	
	HDC-HEN16-FC	113060200631			

Description contact pairs	cross-section of conductor (mm <sup>2</sup> )	Order No.		Drawing	Dimensions in mm																							
		Male contact	Female contact																									
gold plating 	0.14-0.37	114020501613	114021001576																									
	0.5	114020501612	114021001577																									
	0.75-1.0	114020501610	114021001582																									
	1.5	114020501620	114021001591																									
	2.5	114020501618	114021001590																									
	4.0	114020501619	114021001581																									
silver plating 	0.14-0.37	114020501621	114021001592	<table border="1"> <thead> <tr> <th>Wire gauges</th> <th colspan="2">Stripping Length</th> </tr> </thead> <tbody> <tr> <td>0.5mm<sup>2</sup></td> <td>AWG20</td> <td>7.5mm</td> </tr> <tr> <td>0.75mm<sup>2</sup></td> <td>AWG18</td> <td>7.5mm</td> </tr> <tr> <td>1mm<sup>2</sup></td> <td>AWG18</td> <td>7.5mm</td> </tr> <tr> <td>1.5mm<sup>2</sup></td> <td>AWG16</td> <td>7.5mm</td> </tr> <tr> <td>2.5mm<sup>2</sup></td> <td>AWG14</td> <td>7.5mm</td> </tr> <tr> <td>4mm<sup>2</sup></td> <td>AWG12</td> <td>7.5mm</td> </tr> <tr> <td>0.14-0.37mm<sup>2</sup></td> <td>AWG26-22</td> <td>7.5mm</td> </tr> </tbody> </table>	Wire gauges	Stripping Length		0.5mm <sup>2</sup>	AWG20	7.5mm	0.75mm <sup>2</sup>	AWG18	7.5mm	1mm <sup>2</sup>	AWG18	7.5mm	1.5mm <sup>2</sup>	AWG16	7.5mm	2.5mm <sup>2</sup>	AWG14	7.5mm	4mm <sup>2</sup>	AWG12	7.5mm	0.14-0.37mm <sup>2</sup>	AWG26-22	7.5mm
	Wire gauges	Stripping Length																										
	0.5mm <sup>2</sup>	AWG20	7.5mm																									
	0.75mm <sup>2</sup>	AWG18	7.5mm																									
	1mm <sup>2</sup>	AWG18	7.5mm																									
	1.5mm <sup>2</sup>	AWG16	7.5mm																									
2.5mm <sup>2</sup>	AWG14	7.5mm																										
4mm <sup>2</sup>	AWG12	7.5mm																										
0.14-0.37mm <sup>2</sup>	AWG26-22	7.5mm																										
0.5	114020501622	114021001593																										
0.75-1.0	114020501624	114021001595																										
1.5	114020501576	114021001550																										
2.5	114020501560	114021001533																										
4.0	114020501552	114021001525																										

Description	Pressure connection diameter /scope of application	Type No.	Order No.
<b>Crimping tool</b> 	0.14-4.0mm <sup>2</sup>	M22520/1-01(DMC)	531030600020
<b>Needle withdrawal tool</b> 	16A Cold-pressed pin	HDC-HE-CX	113030400142

\*More pinholes can be found on pages 278-283, and more tools can be found on pages 274-277

Specifications / standard

	IEC 61984
Specifications	IEC 60664-1
	IEC 61373
Approvals	<b>CE</b>

Inserts

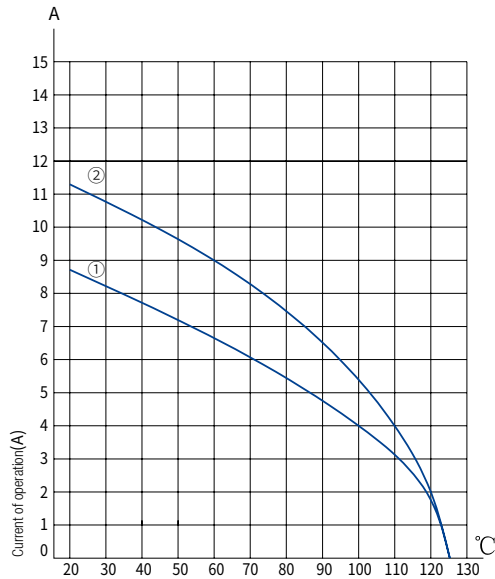
Number of contacts	25
Electrical data acc.to IEC 61984	
Rated Current	10A
Rated Voltage	250V
Insulation resistance	$\geq 10^{10} \Omega$
Rated impulse voltage	4KV
Pollution degree	3
Material	antiflaming PC
Limiting temperatures	-40°C ~ +125°C
Flame Resistance	EN 45545-2 R22&R23 HL3
Mechanical life	$\geq 500$

Contacts

Material	Aldary
Surface treatment	gold plating/silver
Contact resistance	$\leq 3m\Omega$
Cold-pressed connection	
mm <sup>2</sup>	0.14-2.5mm <sup>2</sup>
AWG	26-14

Current carrying capacity

The Current carrying capacity of the connector is limited by the thermal load capacity of the contact and insulation components. The derating curve displays a limited amount of current uniformly and continuously through each contact of the connector at a temperature not exceeding the maximum allowed temperature. Test methods refer to DIN EN 60512-5.



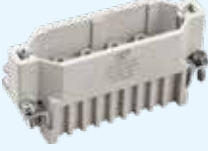
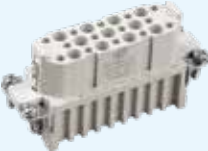
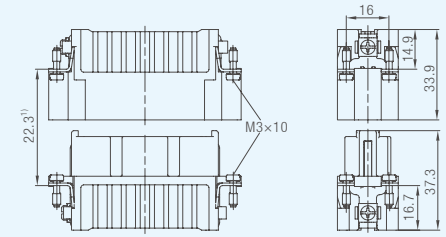
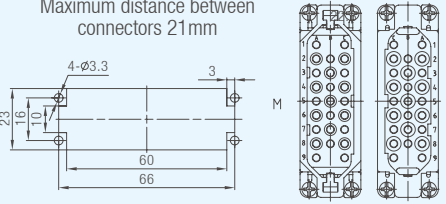


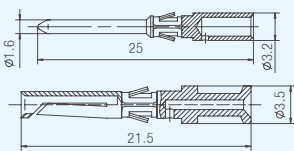




ambient temperature(°C)  
 ① Section surface: 0.75mm<sup>2</sup>  
 ② Section surface: 1.5mm<sup>2</sup>



## Number of contacts


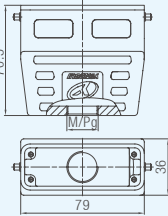
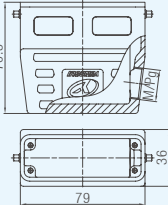

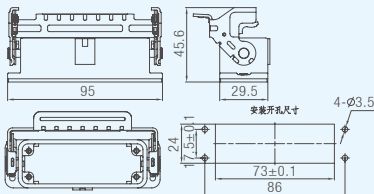

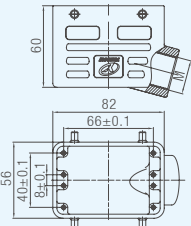

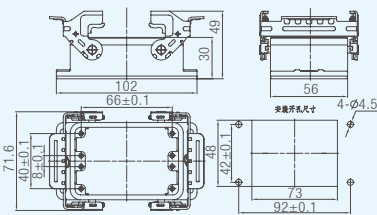
# 25 +

Shellsize: Matches the 16BN 32BN Shell, Cold-pressed connection Cold press pins need to be ordered separately

Description	Type No.	Order No.		Drawing	Dimensions in mm																		
		Male insert	Female insert																				
Cold-pressed connection   	HDC-HDN25-MC	113060100654		 Maximum distance between connectors 21mm  Dimensions of panel mounting holes      Contact face position arrangement																			
	HDC-HDN25-FC		113060200664																				
Description contact pairs	cross-section of conductor (mm <sup>2</sup> )	Order No.		Drawing	Dimensions in mm																		
		Male contact	Female contact																				
gold plating  	0.5	115210010802	115310016102	 <table border="1" data-bbox="997 1369 1428 1584"> <thead> <tr> <th colspan="2">Wire gauges</th> <th>Stripping Length</th> </tr> </thead> <tbody> <tr> <td>0.5mm<sup>2</sup></td> <td>AWG20</td> <td>8mm</td> </tr> <tr> <td>0.75-1mm<sup>2</sup></td> <td>AWG18</td> <td>8mm</td> </tr> <tr> <td>1.5mm<sup>2</sup></td> <td>AWG16</td> <td>8mm</td> </tr> <tr> <td>2.5mm<sup>2</sup></td> <td>AWG14</td> <td>6mm</td> </tr> <tr> <td>0.14-0.37mm<sup>2</sup></td> <td>AWG26-22</td> <td>8mm</td> </tr> </tbody> </table>	Wire gauges		Stripping Length	0.5mm <sup>2</sup>	AWG20	8mm	0.75-1mm <sup>2</sup>	AWG18	8mm	1.5mm <sup>2</sup>	AWG16	8mm	2.5mm <sup>2</sup>	AWG14	6mm	0.14-0.37mm <sup>2</sup>	AWG26-22	8mm	
	Wire gauges		Stripping Length																				
	0.5mm <sup>2</sup>	AWG20	8mm																				
	0.75-1mm <sup>2</sup>	AWG18	8mm																				
1.5mm <sup>2</sup>	AWG16	8mm																					
2.5mm <sup>2</sup>	AWG14	6mm																					
0.14-0.37mm <sup>2</sup>	AWG26-22	8mm																					
0.75-1.0	115210010804	115310016104																					
1.5	115210010805	115310016105																					
2.5	115210010901	115310016106																					
silver plating  	0.5	115210010807	115310016108																				
	0.75-1.0	115210010809	115310016110																				
	1.5	115210010810	115310016111																				
	2.5	115210010902	115310016112																				
	0.14-0.37	115210010806	115310016107																				
Description	Pressure connection diameter /scope of application	Type No.	Order No.																				
Crimping tool 	0.14-4.0mm <sup>2</sup>	M22520/1-01(DMC)	531030600020																				
Needle withdrawal tool 	10A Cold-pressed pin	HDC-HD-CX	113030400143																				

\*More pinholes can be found on pages 278-283, and more tools can be found on pages 274-277

Description	Type No.	Screw thread		Order No.	Drawing	Dimensions in mm
		M	Pg			
Upper Half Shell	<b>Hoods</b> One side Top Entry Grey	B49-TM20	20		115410009201	
		B49-TM25	25		115410009202	
	<b>Hoods</b> One side Side Entry Grey	B49-SM20	20		115410009203	
		B49-SM25	25		115410009204	
	<b>Hoods</b> One side Top/Side Double Entry Grey	B49-TM20+SM20	20+20		115410009205	
		B49-TM20+SM25	20+25		115410009206	
		B49-TM25+SM20	25+20		115410009207	
		B49-TM25+SM25	25+25		115410009208	
Lower shell Lower Housing	<b>Housing</b> One side plastic handle	B49			113010600226	





Description	Type No.	Screw thread		Order No.	Drawing	Dimensions in mm
		M	Pg			
<b>Upper Half Shell</b> 	<b>Hoods</b> Top Entry Narrow structure HDC-16BNU-SH-TM20	20		115410026101		
	HDC-16BNU-SH-TM25	25		115410026102		
	HDC-16BNU-SH-TM32	32		115410026103		
	HDC-16BNU-SH-TPg16		16	115410026107		
	<b>Hoods</b> Side Entry Narrow structure HDC-16BNU-SH-SM20	20		115410026104		
	HDC-16BNU-SH-SM25	25		115410026105		
HDC-16BNU-SH-SM32	32		115410026106			
<b>Lower shell Lower Housing</b> 	<b>Housing</b> Narrow structure One side HDC-16BNL-SL			113010600767		
	<b>Housing</b> Narrow structure One side With Cover HDC-16BNL-SL-MCV					
<b>Upper Half Shell</b> 	<b>Hoods</b> Side Entry Narrow structure HDC-32BNU-DL-SM20	20		115410026901		
	HDC-32BNU-DL-SM25	25		115410026902		
	HDC-32BNU-DL-SM32	32		115410026903		
<b>Lower shell Lower Housing</b> 	<b>Housing</b> Narrow structure Double side HDC-32BNL-DL			113010600789		

Q Series connectors



Q Series

Series	HDC-HQ Insert			
Description				
Number of contacts	3+PE	3+PE	4+PE	
mode of connection	Cold-pressed connection	Screw connection	Screw connection	
Matching housing specifications	3A/3B	3A/3B	3A/3B	
Electrical data acc.toIEC 61984	40A 400V 6kV 3	10A 230/400V 4kV 3	10A 230/400V 4kV 3	
Wiring specification	1.5-10mm <sup>2</sup>	1-2.5mm <sup>2</sup>	1-2.5mm <sup>2</sup>	
Male contacts	113060100614	113060100497	113060100498	
Female contacts	113060200619	113060200483	113060200484	
Description				
Number of contacts	5+PE	7	8	12
mode of connection	Cold-pressed connection	Cold-pressed connection	Cold-pressed connection	Cold-pressed connection
Matching housing specifications	3A/3B	3A/3B	3A/3B	3A/3B
Electrical data acc.toIEC 61984	16A 230/400V 4kV 3	10A 400V 4kV 3	10A 250V 4kV 3	10A 400V 6kV 3
Wiring specification	0.14-4mm <sup>2</sup>	0.14-2.5mm <sup>2</sup>	0.14-2.5mm <sup>2</sup>	0.14-2.5mm <sup>2</sup>
Male contacts	113060100511	113060100512	113060100513	113060100514
Female contacts	113060200501	113060200502	113060200503	113060200504

Series	HDC-HQRJ45	HDC-HQ4/2		
Description				
Number of contacts	8	2x4	2x4	2x8
mode of connection	Network Interface	Cold-pressed connection	Cold-pressed connection	Cold-pressed connection
Matching housing specifications	3A/3B	3A/3B		
Electrical data acc.toIEC 61984	1A 50V 0.8kV 3		10A 50V 0.8kV 3	5A 50V 0.8kV 3
Wiring specification	Cable		0.14-2.5mm <sup>2</sup>	0.14-0.5mm <sup>2</sup>
Male contacts	114060101900	113060100245	113049800054	113049800050
Female contacts	113060200358	113990000221	113049800055	113049800051

### Specifications / standard

	IEC 61984
Specifications	IEC 60664-1
	IEC 61373
Approvals	

### Inserts

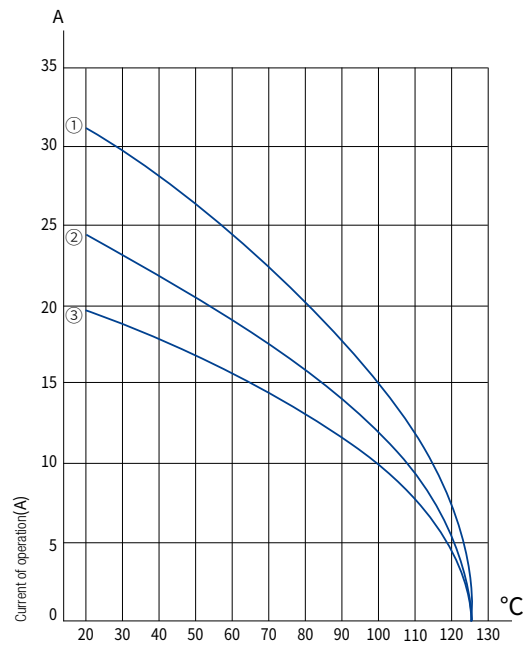
Number of contacts	3+PE
Electrical data acc.to IEC 61984	
Rated Current	10A
Relative rated voltage	230V
Phase rated voltage	400V
Rated impulse voltage	4kV
Pollution degree	3
Insulation resistance	$\geq 10^{10}\Omega$
Material	Antiflaming PC
Operating Temperature Range	-40°C ~ +125°C
Flame retardant rating	EN 45545-2 R22&R23 HL3
Mechanical life	$\geq 500$

### Contacts

Material	Aldary
Surface treatment	silver plating
Contact resistance	$\leq 2.5m\Omega$
screw connector	
mm <sup>2</sup>	1-2.5mm <sup>2</sup>
AWG	18-14

### Current carrying capacity

The current carrying capacity of the connector is limited by the thermal load capacity of the contacts and insulating components. The derating curve displays a limited amount of current uniformly and continuously through each contact of the connector at a temperature not exceeding the maximum allowed temperature. Test methods refer to DIN EN 60512-5.



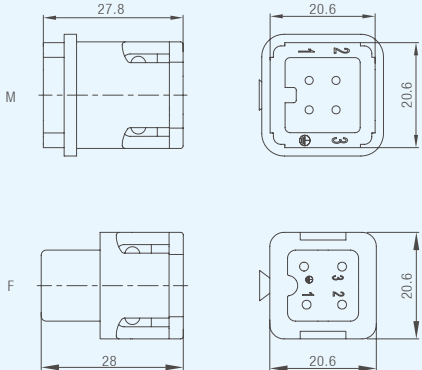


ambient temperature(°C)  
 ① Section surface: 2.5mm<sup>2</sup>  
 ② Section surface: 1.5mm<sup>2</sup>  
 ③ Section surface: 1.0mm<sup>2</sup>

Number of contacts

3 +

Shellsize: Matches the 3A/3B Shell

Description	Type No.	Order No.		Drawing	Dimensions in mm
		Male insert	Female insert		
screw connector    	HDC-HQ3-M	113060100497			
	HDC-HQ3-F		113060200483		

Specifications / standard

	IEC 61984
Specifications	IEC 60664-1
	IEC 61373
Approvals	

Inserts

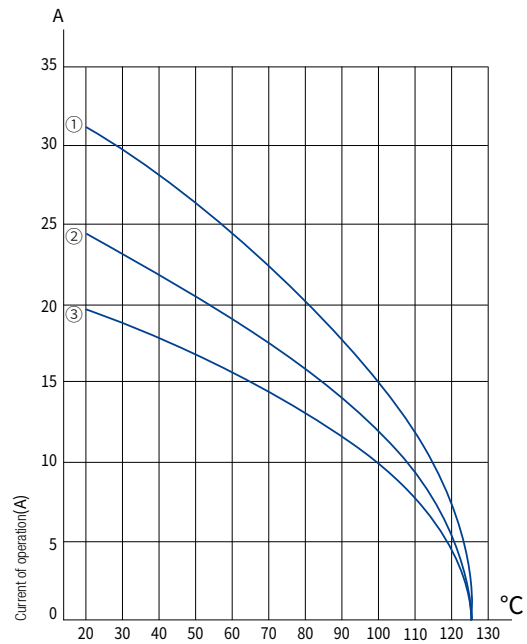
Number of contacts	3+PE
Electrical data acc.to IEC 61984	
Rated Current	40A
Rated Voltage	400V
Insulation resistance	$\geq 10^{10}\Omega$
Rated impulse voltage	6KV
Pollution degree	3
Material	antiflaming PC
Operating Temperature Range	-40°C ~ +125°C
Flame Resistance	EN 45545-2 R22&R23 HL3
Mechanical life	$\geq 500$

Contacts

Material	Aldary
Surface treatment	silver plating
Contact resistance	$\leq 1m\Omega$
Cold-pressed connection	
mm <sup>2</sup>	1.5-10mm <sup>2</sup>
AWG	16-8

Current carrying capacity

The current carrying capacity of the connector is limited by the thermal load capacity of the contacts and insulating components. The derating curve displays a limited amount of current uniformly and continuously through each contact of the connector at a temperature not exceeding the maximum allowed temperature. Test methods refer to DIN EN 60512-5.



ambient temperature(°C)

- ① Section surface: 2.5mm<sup>2</sup>
- ② Section surface: 1.5mm<sup>2</sup>
- ③ Section surface: 1.0mm<sup>2</sup>



### Number of contacts

3 +

Shellsize: Matches the 3A/3B Shell

Description	Type No.	Order No.		Drawing	Dimensions in mm
		Male insert	Female insert		
Cold-pressed connection Cold-pressed pin need to be ordered separately  	HDC-HQ3/0-MC	113060100614			
	HDC-HQ3/0-MC (without seal)	113060100649			
	HDC-HQ3/0-FC		113060100619		

	HDC-HQ12 Coding pin	114069803864		
--	---------------------	--------------	--	--

Description contact pairs	sectional area (mm <sup>2</sup> )	Order No.		Drawing	Dimensions in mm																		
		Male contact	Female contact																				
	1.5	114020501230	114021001146		<table border="1"> <thead> <tr> <th colspan="2">Wire gauges</th> <th>Stripping Length</th> </tr> </thead> <tbody> <tr> <td>1.5mm<sup>2</sup></td> <td>AWG16</td> <td>9mm</td> </tr> <tr> <td>2.5mm<sup>2</sup></td> <td>AWG14</td> <td>9mm</td> </tr> <tr> <td>4mm<sup>2</sup></td> <td>AWG12</td> <td>9mm</td> </tr> <tr> <td>6mm<sup>2</sup></td> <td>AWG10</td> <td>10mm</td> </tr> <tr> <td>10mm<sup>2</sup></td> <td>AWG8</td> <td>12mm</td> </tr> </tbody> </table>	Wire gauges		Stripping Length	1.5mm <sup>2</sup>	AWG16	9mm	2.5mm <sup>2</sup>	AWG14	9mm	4mm <sup>2</sup>	AWG12	9mm	6mm <sup>2</sup>	AWG10	10mm	10mm <sup>2</sup>	AWG8	12mm
	Wire gauges		Stripping Length																				
	1.5mm <sup>2</sup>	AWG16	9mm																				
	2.5mm <sup>2</sup>	AWG14	9mm																				
	4mm <sup>2</sup>	AWG12	9mm																				
6mm <sup>2</sup>	AWG10	10mm																					
10mm <sup>2</sup>	AWG8	12mm																					
2.5	114020501229	114021001145																					
4	114020501228	114021001144																					
6	114020501227	114021001141																					
10	114020501363	114021001312																					

Description	Pressure connection diameter /scope of application	Type No.	Order No.
<b>Crimping tool</b> 	0.34-10mm <sup>2</sup>	KNIPLEX Four spindle crimping pliers (97 52 65)	531030600052
<b>Needle withdrawal tool</b> 	40A Cold-pressed pin	HDC-HC-CX	113030400144

Specifications / standard

	IEC 61984
Specifications	IEC 60664-1
	IEC 61373
Approvals	

Inserts

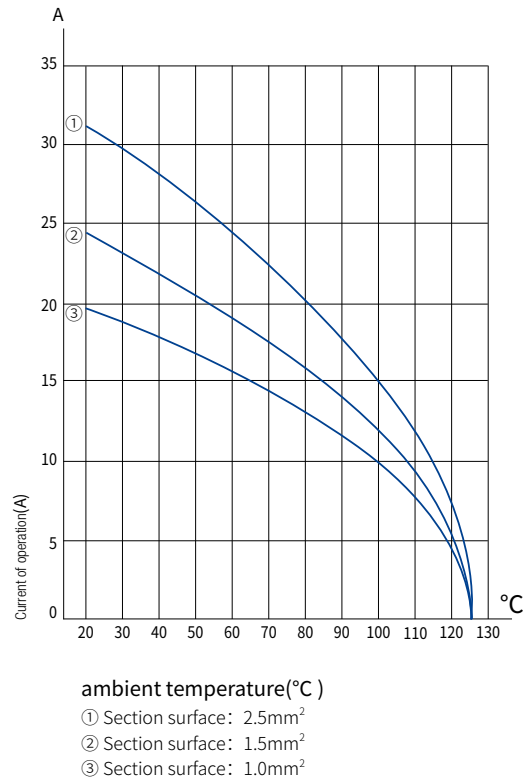
Number of contacts	4+PE
Electrical data acc.to IEC 61984	
Rated Current	10A
Relative rated voltage	230V
Phase rated voltage	400V
Rated impulse voltage	4kV
Pollution degree	3
Insulation resistance	$\geq 10^{10}\Omega$
Material	Antiflaming PC
Operating Temperature Range	-40°C ~ +125°C
Flame retardant rating	EN 45545-2 R22&R23 HL3
Mechanical life	$\geq 500$

Contacts

Material	Aldary
Surface treatment	silver plating
Contact resistance	$\leq 2.5m\Omega$
screw connector	
mm <sup>2</sup>	1-2.5mm <sup>2</sup>
AWG	18-14

Current carrying capacity


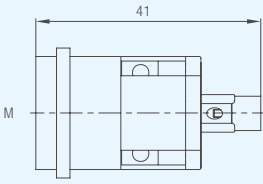

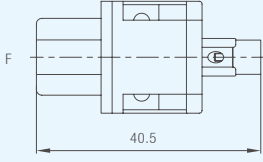
The current carrying capacity of the connector is limited by the thermal load capacity of the contacts and insulating components. The derating curve displays a limited amount of current uniformly and continuously through each contact of the connector at a temperature not exceeding the maximum allowed temperature. Test methods refer to DIN EN 60512-5.



Number of contacts

4 +

Shellsize: Matches the 3A/3B Shell

Description	Type No.	Order No.		Drawing	Dimensions in mm
		Male insert	Female insert		
screw connector 	HDC-HQ4-M	113060100498			
	HDC-HQ4-F		113060200484		

### Specifications / standard

	IEC 61984
Specifications	IEC 60664-1
	IEC 61373
Approvals	

### Inserts

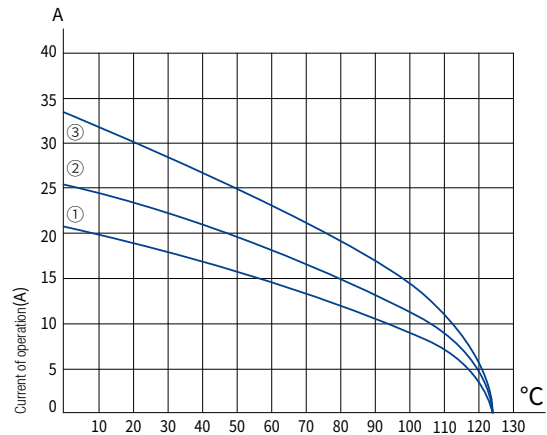
Number of contacts	5+PE
Electrical data acc.to IEC 61984	
Rated Current	16A
Relative rated voltage	230V
Phase rated voltage	400V
Rated impulse voltage	4kV
Pollution degree	3
Insulation resistance	$\geq 10^{10}\Omega$
Material	Antiflaming PC
Operating Temperature Range	-40°C ~ +125°C
Flame retardant rating	EN 45545-2 R22&R23 HL3
Mechanical life	$\geq 500$

### Contacts

Material	Aldary
Surface treatment	gold plating/silver
Contact resistance	$\leq 1m\Omega$
Cold-pressed connection	
mm <sup>2</sup>	(0.14-0.37) -4.0mm <sup>2</sup>
AWG	26-12

### Current carrying capacity

The current carrying capacity of the connector is limited by the thermal load capacity of the contacts and insulating components. The derating curve displays a limited amount of current uniformly and continuously through each contact of the connector at a temperature not exceeding the maximum allowed temperature. Test methods refer to DIN EN 60512-5.



ambient temperature(°C)  
 ① Section surface: 1.0mm<sup>2</sup>  
 ② Section surface: 1.5mm<sup>2</sup>  
 ③ Section surface: 2.5mm<sup>2</sup>

## Number of contacts

5 +

Shellsize: Matches the 3A/3B Shell

Description	Type No.	Order No.		Drawing	Dimensions in mm
		Male insert	Female insert		
Cold-pressed connection Cold-pressed pin need to be ordered separately 	HDC-HQ5-MC	113060100511			
	HDC-HQ5-MC (without seal)	113060100641			
	HDC-HQ5-FC		113060200501		

Description contact pairs	cross-section of conductor (mm <sup>2</sup> )	Order No.		Drawing	Dimensions in mm																								
		Male contact	Female contact																										
gold plating 	0.14-0.37	114020501613	114021001576																										
	0.5	114020501612	114021001577																										
	0.75-1.0	114020501610	114021001582																										
	1.5	114020501620	114021001591																										
	2.5	114020501618	114021001590																										
silver plating 	0.14-0.37	114020501621	114021001592	<table border="1"> <thead> <tr> <th colspan="2">Wire gauges</th> <th>Stripping Length</th> </tr> </thead> <tbody> <tr> <td>0.5mm<sup>2</sup></td> <td>AWG20</td> <td>7.5mm</td> </tr> <tr> <td>0.75mm<sup>2</sup></td> <td>AWG18</td> <td>7.5mm</td> </tr> <tr> <td>1mm<sup>2</sup></td> <td>AWG18</td> <td>7.5mm</td> </tr> <tr> <td>1.5mm<sup>2</sup></td> <td>AWG16</td> <td>7.5mm</td> </tr> <tr> <td>2.5mm<sup>2</sup></td> <td>AWG14</td> <td>7.5mm</td> </tr> <tr> <td>4mm<sup>2</sup></td> <td>AWG12</td> <td>7.5mm</td> </tr> <tr> <td>0.14-0.37mm<sup>2</sup></td> <td>AWG26-22</td> <td>7.5mm</td> </tr> </tbody> </table>	Wire gauges		Stripping Length	0.5mm <sup>2</sup>	AWG20	7.5mm	0.75mm <sup>2</sup>	AWG18	7.5mm	1mm <sup>2</sup>	AWG18	7.5mm	1.5mm <sup>2</sup>	AWG16	7.5mm	2.5mm <sup>2</sup>	AWG14	7.5mm	4mm <sup>2</sup>	AWG12	7.5mm	0.14-0.37mm <sup>2</sup>	AWG26-22	7.5mm	
	Wire gauges		Stripping Length																										
	0.5mm <sup>2</sup>	AWG20	7.5mm																										
	0.75mm <sup>2</sup>	AWG18	7.5mm																										
	1mm <sup>2</sup>	AWG18	7.5mm																										
1.5mm <sup>2</sup>	AWG16	7.5mm																											
2.5mm <sup>2</sup>	AWG14	7.5mm																											
4mm <sup>2</sup>	AWG12	7.5mm																											
0.14-0.37mm <sup>2</sup>	AWG26-22	7.5mm																											
0.5	114020501622	114021001593																											
0.75-1.0	114020501624	114021001595																											
1.5	114020501576	114021001550																											
2.5	114020501560	114021001533																											
4.0	114020501552	114021001525																											

Description	Pressure connection diameter /scope of application	Type No.	Order No.
<b>Crimping tool</b> 	0.14-4.0mm <sup>2</sup>	M22520/1-01(DMC)	531030600020
<b>Needle withdrawal tool</b> 	16A Cold-pressed pin	HDC-HE-CX	113030400142

\*More pinholes can be found on pages 278-283, and more tools can be found on pages 274-277

### Specifications / standard

	IEC 61984
Specifications	IEC 60664-1
	IEC 61373
Approvals	

### Inserts

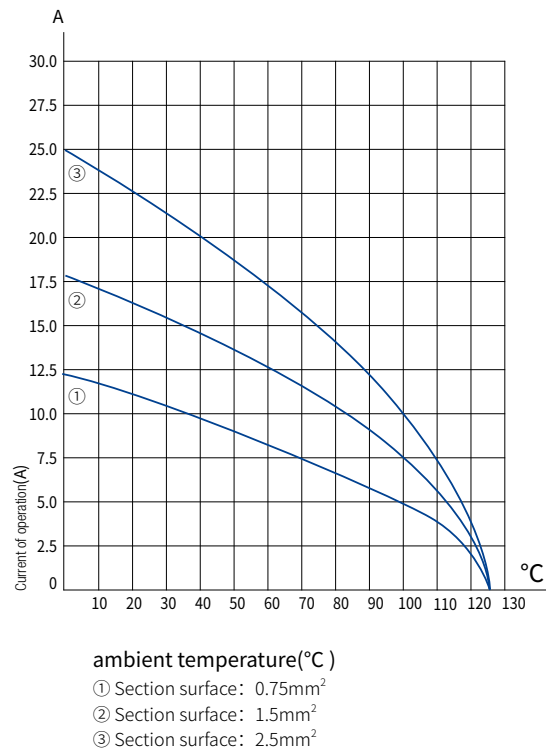
Number of contacts	7+PE
Electrical data acc.to IEC 61984	
Rated Current	10A
Relative rated voltage	230V
Phase rated voltage	400V
Rated impulse voltage	4kV
Pollution degree	3
Insulation resistance	$\geq 10^{10}\Omega$
Material	Antiflaming PC
Operating Temperature Range	-40°C ~ +125°C
Flame retardant rating	EN 45545-2 R22&R23 HL3
Mechanical life	$\geq 500$

### Contacts

Material	Aldary
Surface treatment	gold plating/silver
Contact resistance	$\leq 2.5m\Omega$
Cold-pressed connection	
mm <sup>2</sup>	(0.14-0.37) -2.5mm <sup>2</sup>
AWG	26-14

### Current carrying capacity

The current carrying capacity of the connector is limited by the thermal load capacity of the contacts and insulating components. The derating curve displays a limited amount of current uniformly and continuously through each contact of the connector at a temperature not exceeding the maximum allowed temperature. Test methods refer to DIN EN 60512-5.



## Number of contacts

7 +

Shellsize: Matches the 3A/3B Shell

Description	Type No.	Order No.		Drawing	Dimensions in mm
		Male insert	Female insert		
Cold-pressed connection Cold-pressed pin Order separately 	HDC-HQ7-MC	113060100512			
	HDC-HQ7-MC (without seal)	113060100642			
	HDC-HQ7-FC		113060200502		
	HDC-HQ7 Coding pin	114060100361			
	HDC-HQ7 coded apertur		114060200337		
Description contact pairs	cross-section of conductor (mm <sup>2</sup> )	Order No.		Drawing	Dimensions in mm
		Male contact	Female contact		
gold plating 	0.5	115210010802	115310016102		
	0.75-1.0	115210010804	115310016104		
	1.5	115210010805	115310016105		
	2.5	115210010901	115310016106		
	0.14-0.37	115210010801	115310016101		
silver plating 	0.5	115210010807	115310016108		
	0.75-1.0	115210010809	115310016110		
	1.5	115210010810	115310016111		
	2.5	115210010902	115310016112		
	0.14-0.37	115210010806	115310016107		
Description	Pressure connection diameter /scope of application		Type No.	Order No.	
<b>Crimping tool</b> 	0.14-4.0mm <sup>2</sup>		M22520/1-01(DMC)	531030600020	
<b>Needle withdrawal tool</b> 	10A Cold-pressed pin		HDC-HD-CX	113030400143	

\*More pinholes can be found on pages 278-283, and more tools can be found on pages 274-277

Specifications / standard

	IEC 61984
Specifications	IEC 60664-1
	IEC 61373
Approvals	

Inserts

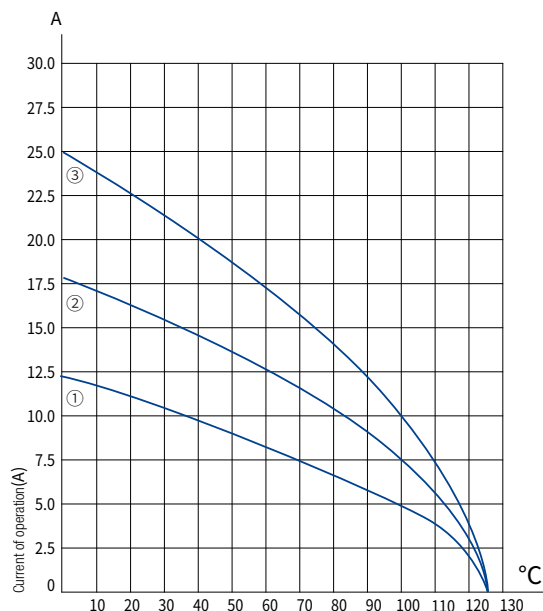
Number of contacts	8
Electrical data acc.to IEC 61984	
Rated Current	10A
Rated Voltage	250V
Rated impulse voltage	4kV
Pollution degree	3
According to UL/CSA 的 Rated Voltage	600V
Insulation resistance	$\geq 10^{10}\Omega$
Material	Antiflaming PC
Operating Temperature Range	-40°C~ +125°C
Flame retardant rating	EN 45545-2 R22&R23 HL3
Mechanical life	$\geq 500$

Contacts

Material	Aldary
Surface treatment	gold plating/silver
Contact resistance	$\leq 2.5m\Omega$
Cold-pressed connection	
mm <sup>2</sup>	(0.14-0.37) -2.5mm <sup>2</sup>
AWG	26-14

Current carrying capacity

The current carrying capacity of the connector is limited by the thermal load capacity of the contacts and insulating components. The derating curve displays a limited amount of current uniformly and continuously through each contact of the connector at a temperature not exceeding the maximum allowed temperature. Test methods refer to DIN EN 60512-5.



ambient temperature(°C)




- ① Section surface: 0.75mm<sup>2</sup>
- ② Section surface: 1.5mm<sup>2</sup>
- ③ Section surface: 2.5mm<sup>2</sup>





## Number of contacts





Shellsize: Matches the 3A/3B Shell

Description	Type No.	Order No.		Drawing	Dimensions in mm
		Male insert	Female insert		
Cold-pressed connection Cold-pressed pin Order separately   	HDC-HQ8-MC	113060100513			
	HDC-HQ8-MC (without seal)	113060100643			
	HDC-HQ8-FC		113060200503		

Description contact pairs	cross-section of conductor (mm <sup>2</sup> )	Order No.		Drawing	Dimensions in mm
		Male contact	Female contact		
gold plating 	0.5	115210010802	115310016102		
	0.75-1.0	115210010804	115310016104		
	1.5	115210010805	115310016105		
	2.5	115210010901	115310016106		
	0.14-0.37	115210010801	115310016101		
silver plating 	0.5	115210010807	115310016108		
	0.75-1.0	115210010809	115310016110		
	1.5	115210010810	115310016111		
	2.5	115210010902	115310016112		
	0.14-0.37	115210010806	115310016107		

Wire gauges		Stripping Length
0.5mm <sup>2</sup>	AWG20	8mm
0.75-1mm <sup>2</sup>	AWG18	8mm
1.5mm <sup>2</sup>	AWG16	8mm
2.5mm <sup>2</sup>	AWG14	6mm
0.14-0.37mm <sup>2</sup>	AWG26-22	8mm

Description	Pressure connection diameter /scope of application	Type No.	Order No.
Crimping tool 	0.14-4.0mm <sup>2</sup>	M22520/1-01(DMC)	531030600020
Needle withdrawal tool 	10A Cold-pressed pin	HDC-HD-CX	113030400143

\*More pinholes can be found on pages 278-283, and more tools can be found on pages 274-277

Specifications / standard

	IEC 61984
Specifications	IEC 60664-1
	IEC 61373
Approvals	

Inserts

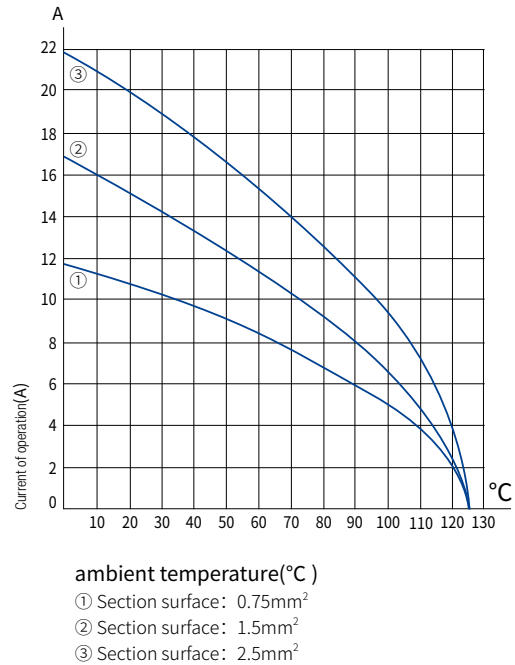
Number of contacts	12+PE
Electrical data acc.to IEC 61984	
Rated Current	10A
Rated Voltage	400V
Rated impulse voltage	6kV
Pollution degree	3
Insulation resistance	$\geq 10^{10}\Omega$
Material	Antiflaming PC
Operating Temperature Range	-40°C ~ +125°C
Flame retardant rating	EN 45545-2 R22&R23 HL3
Mechanical life	$\geq 500$

Contacts

Material	Aldary
Surface treatment	gold plating/silver
Contact resistance	$\leq 2.5m\Omega$
Cold-pressed connection	
mm <sup>2</sup>	(0.14-0.37) -2.5mm <sup>2</sup>
AWG	26-14

Current carrying capacity

The current carrying capacity of the connector is limited by the thermal load capacity of the contacts and insulating components. The derating curve displays a limited amount of current uniformly and continuously through each contact of the connector at a temperature not exceeding the maximum allowed temperature. Test methods refer to DIN EN 60512-5.



Number of contacts

12 +

Shellsize: Matches the 3A/3B Shell

Description	Type No.	Order No.		Drawing	Dimensions in mm
		Male insert	Female insert		
Cold-pressed connection Cold-pressed pin Order separately 	HDC-HQ12-MC	113060100514			
	HDC-HQ12-MC (without seal)	113060100644			
	HDC-HQ12-FC		113060200504		


	HDC-HQ12 Coding pin	114069803864		
--	---------------------	--------------	--	--

Description contact pairs	cross-section of conductor (mm <sup>2</sup> )	Order No.		Drawing	Dimensions in mm																		
		Male contact	Female contact																				
gold plating 	0.5	115210010802	115310016102																				
	0.75-1.0	115210010804	115310016104																				
	1.5	115210010805	115310016105																				
	2.5	115210010901	115310016106																				
	0.14-0.37	115210010801	115310016101																				
silver plating 	0.5	115210010807	115310016108	<table border="1"> <thead> <tr> <th colspan="2">Wire gauges</th> <th>Stripping Length</th> </tr> </thead> <tbody> <tr> <td>0.5mm<sup>2</sup></td> <td>AWG20</td> <td>8mm</td> </tr> <tr> <td>0.75-1mm<sup>2</sup></td> <td>AWG18</td> <td>8mm</td> </tr> <tr> <td>1.5mm<sup>2</sup></td> <td>AWG16</td> <td>8mm</td> </tr> <tr> <td>2.5mm<sup>2</sup></td> <td>AWG14</td> <td>6mm</td> </tr> <tr> <td>0.14-0.37mm<sup>2</sup></td> <td>AWG26-22</td> <td>8mm</td> </tr> </tbody> </table>	Wire gauges		Stripping Length	0.5mm <sup>2</sup>	AWG20	8mm	0.75-1mm <sup>2</sup>	AWG18	8mm	1.5mm <sup>2</sup>	AWG16	8mm	2.5mm <sup>2</sup>	AWG14	6mm	0.14-0.37mm <sup>2</sup>	AWG26-22	8mm	
	Wire gauges		Stripping Length																				
	0.5mm <sup>2</sup>	AWG20	8mm																				
	0.75-1mm <sup>2</sup>	AWG18	8mm																				
	1.5mm <sup>2</sup>	AWG16	8mm																				
2.5mm <sup>2</sup>	AWG14	6mm																					
0.14-0.37mm <sup>2</sup>	AWG26-22	8mm																					
0.75-1.0	115210010809	115310016110																					
1.5	115210010810	115310016111																					
2.5	115210010902	115310016112																					
0.14-0.37	115210010806	115310016107																					

Description	Pressure connection diameter /scope of application	Type No.	Order No.
Crimping tool 	0.14-4.0mm <sup>2</sup>	M22520/1-01(DMC)	531030600020
Needle withdrawal tool 	10A Cold-pressed pin	HDC-HD-CX	113030400143

\*More pinholes can be found on pages 278-283, and more tools can be found on pages 274-277

### Specifications / standard

	IEC 61984
Specifications	IEC 60664-1
	IEC 61373
Approvals	

### Inserts

Number of contacts	2
Insulation resistance	$\geq 10^{10}\Omega$
Rated Current	10A
Rated Voltage	50V
Rated impulse voltage	0.8kV
Pollution degree	3
Material	Antiflaming PC
Limiting temperatures	-40°C ~ +125°C
Flame retardant rating	EN 45545-2 R22&R23 HL3
Mechanical life	$\geq 500$
Transmission speed	100 Mbit/s, 10000 Mbit/s
Sheating Material	Zincalloy

### Shielded connector core

#### Number of contacts

HDC-HMEMC2x4	4+shield
HDC-HMEMC2x8	8+shield

Electrical data acc.to IEC 61984

Rated Voltage	50V
Rated impulse voltage	0.8kV
Insulation resistance	$\geq 10^{10}\Omega$
Rated Current	10A (4 core); 5A (8 core);
Mechanical life	$\geq 500$

#### Material

Limiting temperatures	-40°C ~ +125°C
nonconductor	polycarbonate
Flame retardant rating	EN 45545-2 R22&R23 HL3
outer conductor	Zinc alloy plated with nickel

#### contact

Material	Aldary
Surface treatment	gold plating/silver(10A); gold plating(5A)
Contact resistance	$\leq 3m\Omega(10A)$ ; $\leq 2.5m\Omega(5A)$
HDC-Dsub Cold-pressed pin(5A)	
mm2	(0.14-0.37)-0.5mm <sup>2</sup>
AWG	26-20
HDC-D Cold-pressed pin(10A)	
mm2	(0.14-0.37)-2.5mm <sup>2</sup>
AWG	26-14

### Characteristic

Module characteristic structure

Insertion into the Shell does not cause shielding interruption

Shielding conduction is independent of Shell potential


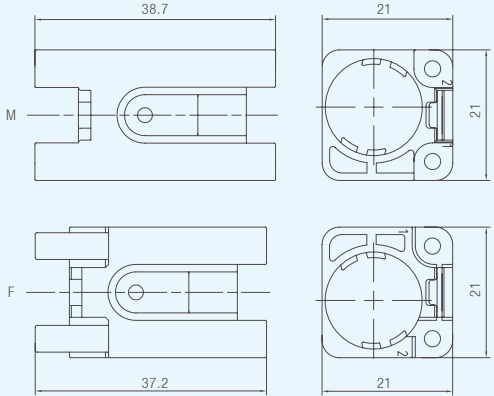

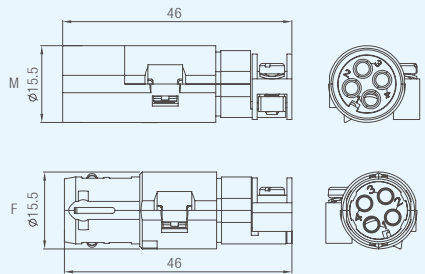

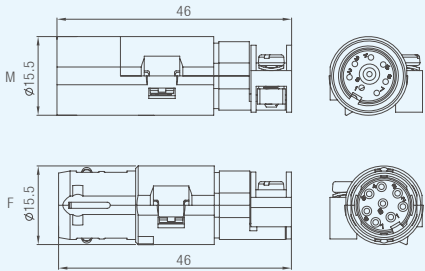
Only when the insertion of the module and the insertion of contact have polarity to facilitate


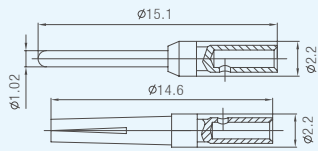

The transmission of extremely sensitive signals (bus signals)

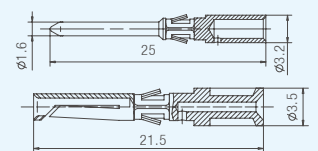



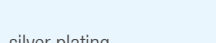




Number of contacts




4/8 +

Shellsize: Matches the 3A/3B Shell

Description	Type No.	Order No.		Drawing	Dimensions in mm
		Male insert	Female insert		
<p>Cold-pressed connection Cold-pressed pin need to be ordered separately</p> 	HDC-HQ4/2-MC	113060100245			
	HDC-HQ4/2-FC		113990000221		
	HDC-HMEMC2x4-MC	113049800054			
	HDC-HMEMC2x4-FC		113049800055		
	HDC-HMEMC2x8-MC	113049800050			
	HDC-HMEMC2x8-FC		113049800051		


Description 5A contact pairs	sectional area (mm <sup>2</sup> )	Order No.		Drawing	Dimensions in mm									
		Male contact	Female contact											
	0.35	114020500411	114021000330		<table border="1"> <thead> <tr> <th colspan="2">Wire gauges</th> <th>Stripping Length</th> </tr> </thead> <tbody> <tr> <td>0.35mm<sup>2</sup></td> <td>AWG26-22</td> <td>4mm</td> </tr> <tr> <td>0.5mm<sup>2</sup></td> <td>AWG22-20</td> <td>4mm</td> </tr> </tbody> </table>	Wire gauges		Stripping Length	0.35mm <sup>2</sup>	AWG26-22	4mm	0.5mm <sup>2</sup>	AWG22-20	4mm
Wire gauges		Stripping Length												
0.35mm <sup>2</sup>	AWG26-22	4mm												
0.5mm <sup>2</sup>	AWG22-20	4mm												
	0.5	114020500408	114021000328											

Description 10A contact pairs	cross-section of conductor (mm <sup>2</sup> )	Order No.		Drawing	Dimensions in mm																		
		Male contact	Female contact																				
gold plating	0.5	115210010802	115310016102		<table border="1"> <thead> <tr> <th colspan="2">Wire gauges</th> <th>Stripping Length</th> </tr> </thead> <tbody> <tr> <td>0.5mm<sup>2</sup></td> <td>AWG20</td> <td>8mm</td> </tr> <tr> <td>0.75-1mm<sup>2</sup></td> <td>AWG18</td> <td>8mm</td> </tr> <tr> <td>1.5mm<sup>2</sup></td> <td>AWG16</td> <td>8mm</td> </tr> <tr> <td>2.5mm<sup>2</sup></td> <td>AWG14</td> <td>6mm</td> </tr> <tr> <td>0.14-0.37mm<sup>2</sup></td> <td>AWG26-22</td> <td>8mm</td> </tr> </tbody> </table>	Wire gauges		Stripping Length	0.5mm <sup>2</sup>	AWG20	8mm	0.75-1mm <sup>2</sup>	AWG18	8mm	1.5mm <sup>2</sup>	AWG16	8mm	2.5mm <sup>2</sup>	AWG14	6mm	0.14-0.37mm <sup>2</sup>	AWG26-22	8mm
	Wire gauges		Stripping Length																				
	0.5mm <sup>2</sup>	AWG20	8mm																				
	0.75-1mm <sup>2</sup>	AWG18	8mm																				
	1.5mm <sup>2</sup>	AWG16	8mm																				
2.5mm <sup>2</sup>	AWG14	6mm																					
0.14-0.37mm <sup>2</sup>	AWG26-22	8mm																					
	0.75-1.0	115210010804	115310016104																				
	1.5	115210010805	115310016105																				
	2.5	115210010901	115310016106																				
	0.14-0.37	115210010801	115310016101																				
silver plating	0.5	115210010807	115310016108	<table border="1"> <thead> <tr> <th colspan="2">Wire gauges</th> <th>Stripping Length</th> </tr> </thead> <tbody> <tr> <td>0.5mm<sup>2</sup></td> <td>AWG20</td> <td>8mm</td> </tr> <tr> <td>0.75-1mm<sup>2</sup></td> <td>AWG18</td> <td>8mm</td> </tr> <tr> <td>1.5mm<sup>2</sup></td> <td>AWG16</td> <td>8mm</td> </tr> <tr> <td>2.5mm<sup>2</sup></td> <td>AWG14</td> <td>6mm</td> </tr> <tr> <td>0.14-0.37mm<sup>2</sup></td> <td>AWG26-22</td> <td>8mm</td> </tr> </tbody> </table>	Wire gauges		Stripping Length	0.5mm <sup>2</sup>	AWG20	8mm	0.75-1mm <sup>2</sup>	AWG18	8mm	1.5mm <sup>2</sup>	AWG16	8mm	2.5mm <sup>2</sup>	AWG14	6mm	0.14-0.37mm <sup>2</sup>	AWG26-22	8mm	
	Wire gauges		Stripping Length																				
	0.5mm <sup>2</sup>	AWG20	8mm																				
	0.75-1mm <sup>2</sup>	AWG18	8mm																				
	1.5mm <sup>2</sup>	AWG16	8mm																				
2.5mm <sup>2</sup>	AWG14	6mm																					
0.14-0.37mm <sup>2</sup>	AWG26-22	8mm																					
	0.75-1.0	115210010809	115310016110																				
	1.5	115210010810	115310016111																				
	2.5	115210010902	115310016112																				
	0.14-0.37	115210010806	115310016107																				

Description	Pressure connection diameter /scope of application	Type No.	Order No.
<b>Crimping tool</b> 	0.14-0.75mm <sup>2</sup>	YJQ-YG07	531030672783
	0.14-4.0mm <sup>2</sup>	M22520/1-01(DMC)	531030600020
<b>Needle withdrawal tool</b> HDC-HD series needle extractor  HDC-HDsub series needle extractor 	10A Cold-pressed pin	HDC-HD-CX	113030400143
	5A Cold-pressed pin	HDC-DSUB9-CX	113030400145

\*More pinholes can be found on pages 278-283, and more tools can be found on pages 274-277

### Specifications / standard

	IEC 61984
Specifications	IEC 60664-1
	IEC 61373
Approvals	

### Inserts

Number of contact Rated	8
Rated Voltage	50V
Rated Current	1A
Insulation resistance	$\geq 10^{10}\Omega$
Rated impulse voltage	0.8kV
Mechanical life	$\geq 500$
Transmission speed	10000 Mbit/s
Sheating Material	Zincalloy
ambient temperature	-40°C~ +85°C
Conductor specification	Cable
Flame retardant rating	EN 45545-2 R22&R23 HL3
nonconductorMaterial	antiflaming PC

### Number of contacts

8 +

Shellsize:Matches the 3A/3B Shell

Description	Type No.	Order No.		Drawing	Dimensions in mm
		Male insert	Female insert		
	HDC-HQRJ45-M	114060101900			
	HDC-HQRJ45-F		113060200358		

Crystal holder

Description	Type No.	Wire gauge	Remark
Single network terminal pliers			
	BS431108(8P)	Cable	





Shell / Series A  
Shell / Series B  
Shell / Series P  
Inserts / Series D  
Inserts / Series E  
Inserts / Series M  
Inserts / Series H  
Inserts / Series Q  
Inserts / Series K (Hybrid)  
Inserts / Series C  
Inserts / Anti-Open Circuit  
Accessory




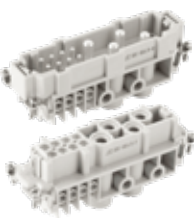


K Series( Mixed Series) connector



*K Series  
Combination  
series*

系列	HDC-HK			
Description				
Number of contacts	8/24	4/4	12/2	6/36
mode of connection	Cold-pressed connection	Cold-pressed connection	Cold-pressed connection	Cold-pressed connection
Matching housing specifications	10A/10B	10A/10B	16A/16B	16A/16B
Electrical data according to DIN EN 61984	16A 230/400V 4kV 3	70A 690V 8kV 3	40A 690V 8kV 3	40A 690V 8kV 3
	10A 160V 2.5kV 3	16A 250V 4kV 3	10A 250V 4kV 3	10A 160V 2.5kV 3
Power pin wiring specifications	0.14-4mm <sup>2</sup>	0.14-4mm <sup>2</sup>	1.5-6mm <sup>2</sup>	1.5-6mm <sup>2</sup>
Signal pin wiring specifications	0.14-2.5mm <sup>2</sup>	6-25mm <sup>2</sup>	0.14-2.5mm <sup>2</sup>	0.14-2.5mm <sup>2</sup>
Male contacts	112012000984	113060100345	113060100549	113060100523
Female contacts	112022001287	113060200325	113060200549	113060200513

系列	HDC-HSB	HDC-HK		
Description				
Number of contacts	6	4/0	4/2	4/8
mode of connection	Screw connection	Screw connection	Screw connection	Screw connection
Matching housing specifications	16A/16B	16A/16B	16A/16B	24A/24B
Electrical data according to DIN EN 61984	80A 830V 8kV 3	80A 830V 8kV 3	80A 690V 8kV 3	80A 400V 6kV 3
	/	/	16A 400V 6kV 3	16A 400V 6kV 3
Power pin wiring specifications	1.5-16mm <sup>2</sup>	1.5-16mm <sup>2</sup>	1.5-16mm <sup>2</sup>	1.5-16mm <sup>2</sup>
Signal pin wiring specifications	/	/	0.5-2.5mm <sup>2</sup>	0.5-2.5mm <sup>2</sup>
Male contacts	113060100499	113060100499	113060100528	113060100500
Female contacts	113060200485	113060200485	113060200525	113060200486

**Specifications / standard**

	IEC 61984
Specifications	IEC 60664-1
	IEC 61373
Approvals	

**Inserts**

Number of contacts	8/24+PE
Electrical data acc.to IEC 61984	

**Power zone**

Rated Current	16A
Rated Voltage	230V ( core with ground)    400V ( core with core)
Rated impluse voltage	4kV
Pollution degree	3

**signaling zone**

Rated Current	10A
Rated Voltage	160V
Rated impluse voltage	2.5kV
Pollution degree	3
According to UL/CSA 的 Rated Voltage	600/300V
Insulation resistance	$\geq 10^{10}\Omega$
Material	Antiflaming PC
Limiting temperatures	-40°C~ +125°C
Flame retardant rating	EN 45545-2 R22&R23 HL3
Mechanical life	$\geq 500$

**Contacts**
**Strong electric pin**

Material	Aldary
Surface treatment	gold plating/silver
Contact resistance	$\leq 1m\Omega$

**Cold-pressed connection**

mm <sup>2</sup>	0.5-4mm <sup>2</sup>
AWG	20-12

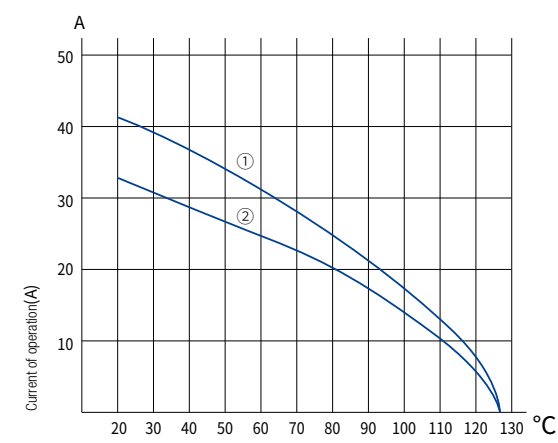
**Signal pin**

Material	Aldary
Surface treatment	gold plating/silver
Contact resistance	$\leq 3m\Omega$
Cold-pressed connection	

mm <sup>2</sup>	0.14-2.5mm <sup>2</sup>
AWG	25-14

**Current carrying capacity**

The current carrying capacity of the connector is limited by the thermal load capacity of the contacts and insulating components. The derating curve does not exceed the maximum allowable temperature, showing limited current uniformly and continuously through each contact of the connector. Test methods refer to DIN EN 60512-5.



ambient temperature(°C)  
 ① Section surface: 4.0mm<sup>2</sup>  
 ② Section surface: 2.5mm<sup>2</sup>


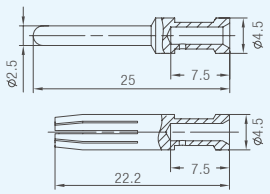



Number of contacts

8/24 +

Shellsize:Matches the 10A/10B Shell

Description	Type No.	Order No.		Drawing	Dimensions in mm
		Male insert	Female insert		
	HDC-HK8/24-MC	112012000984		<p>Maximum distance between connectors 21mm</p>	
	HDC-HK8/24-FC		112022001287		<p>Contact face position arrangement</p>

Description 10Acontact pairs	cross-section of conductor (mm <sup>2</sup> )	Order No.		Drawing	Dimensions in mm																		
		Male contact	Female contact																				
gold plating 	0.5	115210010802	115310016102		<table border="1"> <thead> <tr> <th colspan="2">Wire gauges</th> <th>Stripping Length</th> </tr> </thead> <tbody> <tr> <td>0.5mm<sup>2</sup></td> <td>AWG20</td> <td>8mm</td> </tr> <tr> <td>0.75-1mm<sup>2</sup></td> <td>AWG18</td> <td>8mm</td> </tr> <tr> <td>1.5mm<sup>2</sup></td> <td>AWG16</td> <td>8mm</td> </tr> <tr> <td>2.5mm<sup>2</sup></td> <td>AWG14</td> <td>6mm</td> </tr> <tr> <td>0.14-0.37mm<sup>2</sup></td> <td>AWG26-22</td> <td>8mm</td> </tr> </tbody> </table>	Wire gauges		Stripping Length	0.5mm <sup>2</sup>	AWG20	8mm	0.75-1mm <sup>2</sup>	AWG18	8mm	1.5mm <sup>2</sup>	AWG16	8mm	2.5mm <sup>2</sup>	AWG14	6mm	0.14-0.37mm <sup>2</sup>	AWG26-22	8mm
	Wire gauges		Stripping Length																				
	0.5mm <sup>2</sup>	AWG20	8mm																				
	0.75-1mm <sup>2</sup>	AWG18	8mm																				
	1.5mm <sup>2</sup>	AWG16	8mm																				
2.5mm <sup>2</sup>	AWG14	6mm																					
0.14-0.37mm <sup>2</sup>	AWG26-22	8mm																					
0.75-1.0	115210010804	115310016104																					
1.5	115210010805	115310016105																					
2.5	115210010901	115310016106																					
0.14-0.37	115210010801	115310016101																					
silver plating 	0.5	115210010807	115310016108																				
	0.75-1.0	115210010809	115310016110																				
	1.5	115210010810	115310016111																				
	2.5	115210010902	115310016112																				
	0.14-0.37	115210010806	115310016107																				

Description 16A contact pairs	cross-section of conductor (mm <sup>2</sup> )	Order No.		Drawing	Dimensions in mm																										
		Male contact	Female contact																												
gold plating  	0.14-0.37	114020501613	114021001576	 <table border="1" data-bbox="1002 599 1433 894"> <thead> <tr> <th colspan="2">Wire gauges</th> <th>Stripping Length</th> </tr> </thead> <tbody> <tr> <td>0.5mm<sup>2</sup></td> <td>AWG20</td> <td>7.5mm</td> </tr> <tr> <td>0.75mm<sup>2</sup></td> <td>AWG18</td> <td>7.5mm</td> </tr> <tr> <td>1mm<sup>2</sup></td> <td>AWG18</td> <td>7.5mm</td> </tr> <tr> <td>1.5mm<sup>2</sup></td> <td>AWG16</td> <td>7.5mm</td> </tr> <tr> <td>2.5mm<sup>2</sup></td> <td>AWG14</td> <td>7.5mm</td> </tr> <tr> <td>4mm<sup>2</sup></td> <td>AWG12</td> <td>7.5mm</td> </tr> <tr> <td>0.14-0.37mm<sup>2</sup></td> <td>AWG26-22</td> <td>7.5mm</td> </tr> </tbody> </table>	Wire gauges		Stripping Length	0.5mm <sup>2</sup>	AWG20	7.5mm	0.75mm <sup>2</sup>	AWG18	7.5mm	1mm <sup>2</sup>	AWG18	7.5mm	1.5mm <sup>2</sup>	AWG16	7.5mm	2.5mm <sup>2</sup>	AWG14	7.5mm	4mm <sup>2</sup>	AWG12	7.5mm	0.14-0.37mm <sup>2</sup>	AWG26-22	7.5mm	0.5	114020501612	114021001577
	Wire gauges		Stripping Length																												
	0.5mm <sup>2</sup>	AWG20	7.5mm																												
	0.75mm <sup>2</sup>	AWG18	7.5mm																												
	1mm <sup>2</sup>	AWG18	7.5mm																												
	1.5mm <sup>2</sup>	AWG16	7.5mm																												
2.5mm <sup>2</sup>	AWG14	7.5mm																													
4mm <sup>2</sup>	AWG12	7.5mm																													
0.14-0.37mm <sup>2</sup>	AWG26-22	7.5mm																													
0.75-1.0	114020501610	114021001582																													
1.5	114020501620	114021001591																													
2.5	114020501618	114021001590																													
4.0	114020501619	114021001581																													
silver plating  	0.14-0.37	114020501621	114021001592																												
	0.5	114020501622	114021001593																												
	0.75-1.0	114020501624	114021001595																												
	1.5	114020501576	114021001550																												
	2.5	114020501560	114021001533																												
	4.0	114020501552	114021001525																												
Description	Pressure connection diameter /scope of application		Type No.	Order No.																											
<b>Crimping tool</b> 	0.14-4.0mm <sup>2</sup>		M22520/1-01(DMC)	531030600020																											
<b>Needle withdrawal tool</b>  	16A Cold-pressed pin		HDC-HE-CX	113030400142																											
	10A Cold-pressed pin		HDC-HD-CX	113030400143																											

Shell / Series A  
 Shell / Series B  
 Shell / Series P  
 Base / Series D  
 Inserts / Series E  
 Inserts / Series M  
 Inserts / Series H  
 Inserts / Series Q  
**Inserts / Series K (Hybrid)**  
 Inserts / Series C  
 Inserts / Anti-Open Circuit  
 Accessory

Specifications / standard

	IEC 61984
Specifications	IEC 60664-1
	IEC 61373
Approvals	

Inserts

Number of contacts	12/2+PE
Electrical data acc.to IEC 61984	

Power zone

Rated Current	40A
Rated Voltage	690V
Rated impulse voltage	8kV
Pollution degree	3

signaling zone

Rated Current	10A
Rated Voltage	250V
Rated impulse voltage	4kV
Pollution degree	3
According to UL/CSA 的 Rated Voltage	600/300V
Insulation resistance	$\geq 10^{10}\Omega$
Material	polycarbonate
Limiting temperatures	-40°C~ +125°C
Flame retardant rating	EN 45545-2 R22&R23 HL3
Mechanical life	$\geq 500$

Contacts

Strong electric pin

Material	Aldary
Surface treatment	gold plating/silver
Contact resistance	$\leq 0.3m\Omega$

Cold-pressed connection

mm <sup>2</sup>	1.5-6mm <sup>2</sup>
AWG	16-10
Maximum core diameter	6.5mm

signal pin

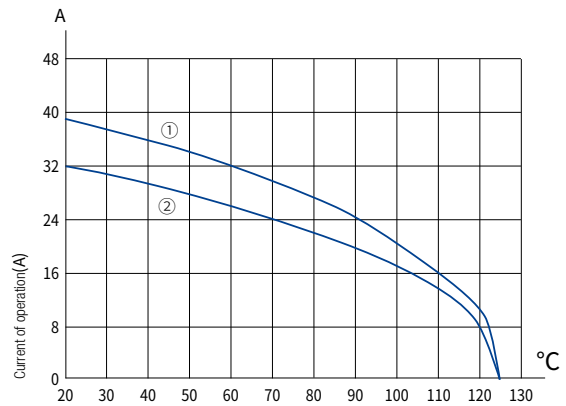
Material	Aldary
Surface treatment	gold plating/silver
Contact resistance	$\leq 3m\Omega$

Cold-pressed connection

mm <sup>2</sup>	0.14-2.5mm <sup>2</sup>
AWG	26-14

Current carrying capacity


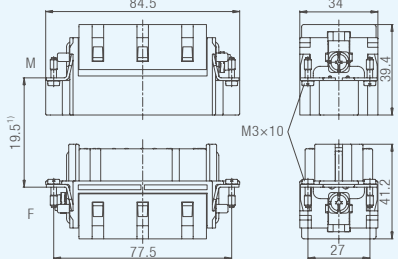
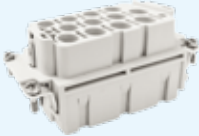
The current carrying capacity of the connector is limited by the thermal load capacity of the contacts and insulating components. The derating curve displays a limited amount of current uniformly and continuously through each contact of the connector at a temperature not exceeding the maximum allowed temperature. Test methods refer to DIN EN 60512-5.



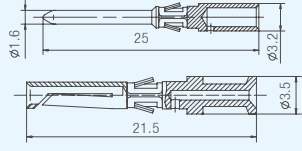




ambient temperature(°C)  
 ① Section surface: 6.0mm<sup>2</sup>  
 ② Section surface: 4.0mm<sup>2</sup>

**Number of contacts**
**12/2 +** 

Shellsize:Matches the 16A/16B Shell

Description	Type No.	Order No.		Drawing	Dimensions in mm
		Male insert	Female insert		
Cold-pressed connection Cold-pressed pin need to be ordered separately  	HDC-HK12/2-MC	113060100549		 <p>Maximum distance between connectors 21mm</p>	
	HDC-HK12/2-FC		113060200549		

Description	cross-section of conductor (mm <sup>2</sup> )	Order No.		Drawing	Dimensions in mm																		
		Male contact	Female contact																				
gold plating   	0.5 0.75-1.0 1.5 2.5 0.14-0.37	115210010802 115210010804 115210010805 115210010901 115210010801	115310016102 115310016104 115310016105 115310016106 115310016101		<table border="1"> <thead> <tr> <th colspan="2">Wire gauges</th> <th>Stripping Length</th> </tr> </thead> <tbody> <tr> <td>0.5mm<sup>2</sup></td> <td>AWG20</td> <td>8mm</td> </tr> <tr> <td>0.75-1mm<sup>2</sup></td> <td>AWG18</td> <td>8mm</td> </tr> <tr> <td>1.5mm<sup>2</sup></td> <td>AWG16</td> <td>8mm</td> </tr> <tr> <td>2.5mm<sup>2</sup></td> <td>AWG14</td> <td>6mm</td> </tr> <tr> <td>0.14-0.37mm<sup>2</sup></td> <td>AWG26-22</td> <td>8mm</td> </tr> </tbody> </table>	Wire gauges		Stripping Length	0.5mm <sup>2</sup>	AWG20	8mm	0.75-1mm <sup>2</sup>	AWG18	8mm	1.5mm <sup>2</sup>	AWG16	8mm	2.5mm <sup>2</sup>	AWG14	6mm	0.14-0.37mm <sup>2</sup>	AWG26-22	8mm
Wire gauges		Stripping Length																					
0.5mm <sup>2</sup>	AWG20	8mm																					
0.75-1mm <sup>2</sup>	AWG18	8mm																					
1.5mm <sup>2</sup>	AWG16	8mm																					
2.5mm <sup>2</sup>	AWG14	6mm																					
0.14-0.37mm <sup>2</sup>	AWG26-22	8mm																					
silver plating   	0.5 0.75-1.0 1.5 2.5 0.14-0.37	115210010807 115210010809 115210010810 115210010902 115210010806	115310016108 115310016110 115310016111 115310016112 115310016107																				

Description 40A contact pairs	sectional area (mm <sup>2</sup> )	Order No.		Drawing	Dimensions in mm															
		Male contact	Female contact																	
	1.5	114020501230	114021001146		<table border="1"> <thead> <tr> <th colspan="2">Wire gauges</th> <th>Stripping Length</th> </tr> </thead> <tbody> <tr> <td>1.5mm<sup>2</sup></td> <td>AWG16</td> <td>9mm</td> </tr> <tr> <td>2.5mm<sup>2</sup></td> <td>AWG14</td> <td>9mm</td> </tr> <tr> <td>4mm<sup>2</sup></td> <td>AWG12</td> <td>9mm</td> </tr> <tr> <td>6mm<sup>2</sup></td> <td>AWG10</td> <td>10mm</td> </tr> </tbody> </table>	Wire gauges		Stripping Length	1.5mm <sup>2</sup>	AWG16	9mm	2.5mm <sup>2</sup>	AWG14	9mm	4mm <sup>2</sup>	AWG12	9mm	6mm <sup>2</sup>	AWG10	10mm
	Wire gauges		Stripping Length																	
	1.5mm <sup>2</sup>	AWG16	9mm																	
	2.5mm <sup>2</sup>	AWG14	9mm																	
4mm <sup>2</sup>	AWG12	9mm																		
6mm <sup>2</sup>	AWG10	10mm																		
2.5	114020501229	114021001145																		
4	114020501228	114021001144																		
6	114020501227	114021001141																		

Description	Pressure connection diameter /scope of application	Type No.	Order No.
<b>Crimping tool</b> 	0.14-4.0mm <sup>2</sup>	M22520/1-01(DMC)	531030600020
	0.34-10mm <sup>2</sup>	KNIPEX Four spindle crimping pliers (97 52 65)	531030600052
<b>Needle withdrawal tool</b> 	10A Cold-pressed pin	HDC-HD-CX	113030400143
	40A Cold-pressed pin	HDC-HC-CX	113030400144

\*More pinholes can be found on pages 278-283, and more tools can be found on pages 274-277



**Specifications / standard**

	IEC 61984
Specifications	IEC 60664-1
	IEC 61373
Approvals	

**Inserts**

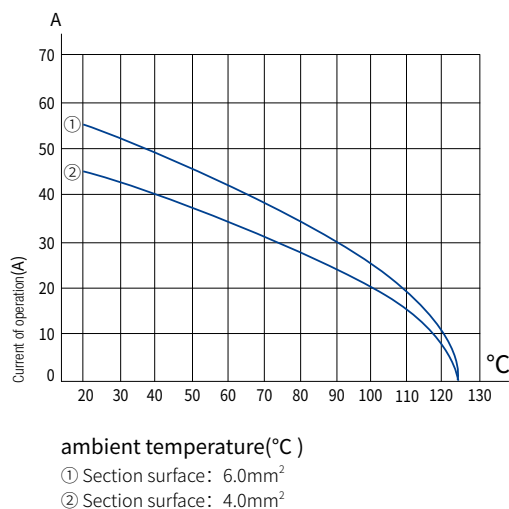
Number of contacts	6/36+PE
Electrical data acc.to IEC 61984	
Power zone	
Rated Current	40A
Rated Voltage	690V
Rated impluse voltage	8kV
Pollution degree	3
signaling zone	
Rated Current	10A
Rated Voltage	160V
Rated impluse voltage	2.5kV
Pollution degree	3
According to UL/CSA 的 Rated Voltage	600/300V
Insulation resistance	$\geq 10^{10}\Omega$
Material	Antiflaming PC
Limiting temperatures	-40°C~ +125°C
Flame retardant rating	EN 45545-2 R22&R23 HL3
Mechanical life	$\geq 500$

**Contacts**

Strong electric pin	
Material	Aldary
Surface treatment	silver plating
Contact resistance	$\leq 0.5m\Omega$
Cold-pressed connection	
mm <sup>2</sup>	1.5-6mm <sup>2</sup>
AWG	16-10
Maximum core diameter	6.5mm
signal pin	
Material	Aldary
Surface treatment	gold plating/silver
Contact resistance	$\leq 2.5m\Omega$
Cold-pressed connection	
mm <sup>2</sup>	0.14-2.5mm <sup>2</sup>
AWG	26-14

**Current carrying capacity**


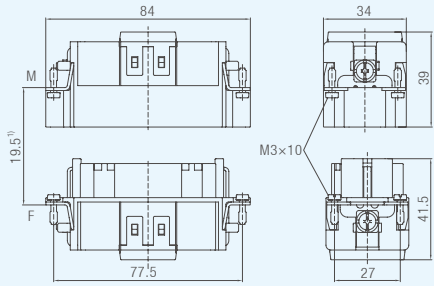

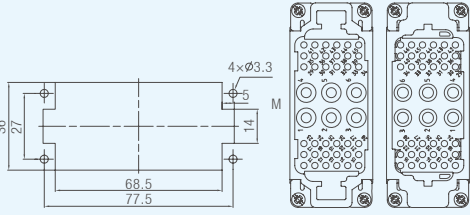


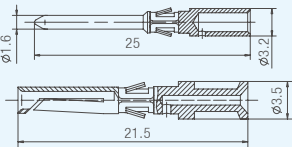


The current carrying capacity of the connector is limited by the thermal load capacity of the contacts and insulating components. The derating curve displays a limited amount of current uniformly and continuously through each contact of the connector at a temperature not exceeding the maximum allowed temperature. Test methods refer to DIN EN 60512-5.



Number of contacts

6/36 +

Shellsize:Matches the 16A/16B Shell

Description	Type No.	Order No.		Drawing	Dimensions in mm																		
		Male insert	Female insert																				
<p>Cold-pressed connection Cold-pressed pin need to be ordered separately</p> 	HDC-HK6/36-MC	113060100523		 <p>Maximum distance between connectors 21mm</p>																			
	HDC-HK6/36-FC		113060200513		 <p>Dimensions of panel mounting holes      Contact face position arrangement</p>																		
Description 10Acontact pairs	cross-section of conductor (mm <sup>2</sup> )	Order No.		Drawing	Dimensions in mm																		
		Male contact	Female contact																				
<p>gold plating</p>  	0.5	115210010802	115310016102																				
	0.75-1.0	115210010804	115310016104																				
	1.5	115210010805	115310016105																				
	2.5	115210010901	115310016106																				
	0.14-0.37	115210010801	115310016101																				
<p>silver plating</p>  	0.5	115210010807	115310016108	<table border="1"> <thead> <tr> <th colspan="2">Wire gauges</th> <th>Stripping Length</th> </tr> </thead> <tbody> <tr> <td>0.5mm<sup>2</sup></td> <td>AWG20</td> <td>8mm</td> </tr> <tr> <td>0.75-1mm<sup>2</sup></td> <td>AWG18</td> <td>8mm</td> </tr> <tr> <td>1.5mm<sup>2</sup></td> <td>AWG16</td> <td>8mm</td> </tr> <tr> <td>2.5mm<sup>2</sup></td> <td>AWG14</td> <td>6mm</td> </tr> <tr> <td>0.14-0.37mm<sup>2</sup></td> <td>AWG26-22</td> <td>8mm</td> </tr> </tbody> </table>	Wire gauges		Stripping Length	0.5mm <sup>2</sup>	AWG20	8mm	0.75-1mm <sup>2</sup>	AWG18	8mm	1.5mm <sup>2</sup>	AWG16	8mm	2.5mm <sup>2</sup>	AWG14	6mm	0.14-0.37mm <sup>2</sup>	AWG26-22	8mm	
	Wire gauges		Stripping Length																				
	0.5mm <sup>2</sup>	AWG20	8mm																				
	0.75-1mm <sup>2</sup>	AWG18	8mm																				
	1.5mm <sup>2</sup>	AWG16	8mm																				
2.5mm <sup>2</sup>	AWG14	6mm																					
0.14-0.37mm <sup>2</sup>	AWG26-22	8mm																					
0.75-1.0	115210010809	115310016110																					
1.5	115210010810	115310016111																					
2.5	115210010902	115310016112																					
0.14-0.37	115210010806	115310016107																					

Description 40A contact pairs	sectional area (mm <sup>2</sup> )	Order No.		Drawing	Dimensions in mm																	
		Male contact	Female contact																			
	1.5	114020501230	114021001146	<table border="1"> <thead> <tr> <th colspan="2">Wire gauges</th> <th>Stripping Length</th> </tr> </thead> <tbody> <tr> <td>1.5mm<sup>2</sup></td> <td>AWG16</td> <td>9mm</td> </tr> <tr> <td>2.5mm<sup>2</sup></td> <td>AWG14</td> <td>9mm</td> </tr> <tr> <td>4mm<sup>2</sup></td> <td>AWG12</td> <td>9mm</td> </tr> <tr> <td>6mm<sup>2</sup></td> <td>AWG10</td> <td>10mm</td> </tr> </tbody> </table>	Wire gauges		Stripping Length	1.5mm <sup>2</sup>	AWG16	9mm	2.5mm <sup>2</sup>	AWG14	9mm	4mm <sup>2</sup>	AWG12	9mm	6mm <sup>2</sup>	AWG10	10mm	2.5	114020501229	114021001145
	Wire gauges		Stripping Length																			
	1.5mm <sup>2</sup>	AWG16	9mm																			
	2.5mm <sup>2</sup>	AWG14	9mm																			
4mm <sup>2</sup>	AWG12	9mm																				
6mm <sup>2</sup>	AWG10	10mm																				
4	114020501228	114021001144																				
6	114020501227	114021001141																				
Description	Pressure connection diameter /scope of application		Type No.	Order No.																		
<b>Crimping tool</b> 10A/16A 	0.34-4mm <sup>2</sup>		M22520/1-01(DMC)	531030600020																		
40A 	0.34-10mm <sup>2</sup>		KNIPEX Four spindle crimping pliers (97 52 65)	531030600052																		
<b>Needle withdrawal tool</b> HDC-HD series needle extractor 	10A Cold-pressed pin		HDC-HD-CX	113030400143																		
HDC-HE series needle extractor 	40A Cold-pressed pin		HDC-HC-CX	113030400144																		

\*More pinholes can be found on pages 278-283, and more tools can be found on pages 274-277

**Specifications / standard**

	IEC 61984
Specifications	IEC 60664-1
	IEC 61373
Approvals	

**Inserts**

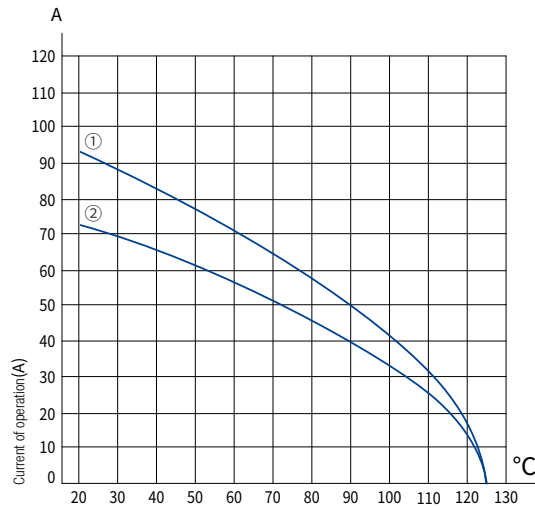
Number of contacts	4
Electrical data acc.to IEC 61984	
Rated Current	80A
Rated Voltage	830V
Rated impulse voltage	8kV
Pollution degree	3
According to UL/CSA Rated Voltage	600/300V
Insulation resistance	$\geq 10^{10}\Omega$
Material	Antiflaming PC
Limiting temperatures	-40°C~ +125°C
Flame retardant rating	EN 45545-2 R22&R23 HL3
Mechanical life	$\geq 500$

**Contacts**

Strong electric pin	
Material	Aldary
Surface treatment	silver plating
Contact resistance	$\leq 0.3m\Omega$
screw connector	
mm <sup>2</sup>	1.5-16mm <sup>2</sup>
AWG	16-6
Tightening torque	
mm <sup>2</sup>	1.5 2.5 4 6 10 16
N·m	1.2 2 3 3 3 3
Stripping Length	14mm

**Current carrying capacity**

The current carrying capacity of the connector is limited by the thermal load capacity of the contacts and insulating components. The derating curve displays a limited amount of current uniformly and continuously through each contact of the connector at a temperature not exceeding the maximum allowed temperature. Test methods refer to DIN EN 60512-5.




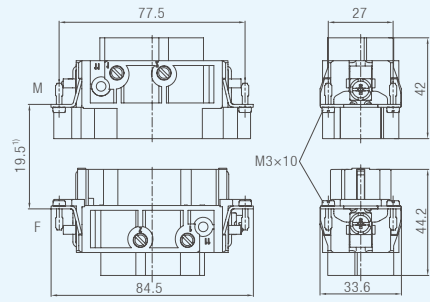

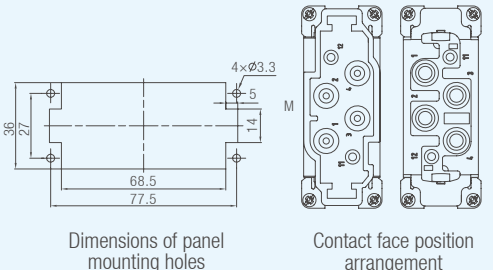
ambient temperature(°C)

- ① Section surface: 16mm<sup>2</sup>
- ② Section surface: 10mm<sup>2</sup>

Number of contacts

4/0 +

Shellsize: Matches the 16A/16B Shell

Description	Type No.	Order No.		Drawing	Dimensions in mm
		Male insert	Female insert		
screw connector 	HDC-HK4/0-M	113060100499		 <p>Maximum distance between connectors 21mm</p>	
	HDC-HK4/0-F		113060200485	 <p>Dimensions of panel mounting holes</p> <p>Contact face position arrangement</p>	

## Specifications / standard

	IEC 61984
Specifications	IEC 60664-1
	IEC 61373
Approvals	

## Inserts

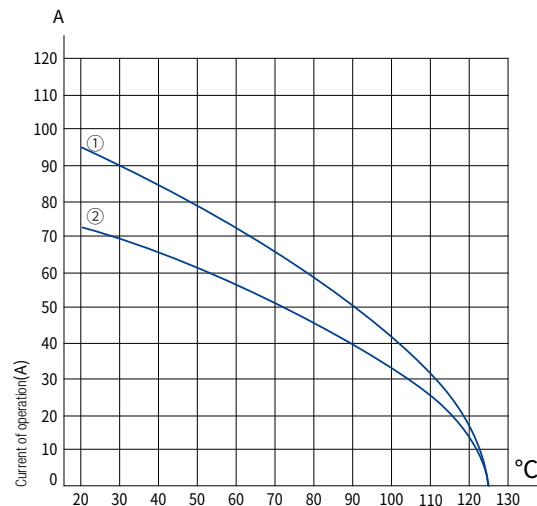
Number of contacts	4/2
Electrical data acc.to IEC 61984	
Rated Current	80/16A
Rated Voltage	830/400V
Rated impulse voltage	8/6kV
Pollution degree	3
According to UL/USARated Voltage	600/300V
Insulation resistance	$\geq 10^{10}\Omega$
Material	Antiflaming PC
Limiting temperatures	-40°C ~ +125°C
Flame retardant rating	UL94-V0
Mechanical life	$\geq 500$

## Contacts

Strong electric pin	
Material	Aldary
Surface treatment	silver plating
Contact resistance	$\leq 0.3m\Omega$
screw connector	
mm <sup>2</sup>	1.5-16mm <sup>2</sup>
AWG	16-6
Tightening torque	
mm <sup>2</sup>	1.5 2.5 4 6 10 16
N·m	1.2 2 3 3 3 3
Stripping Length	14mm
signal pin	
Material	Aldary
Surface treatment	silver plating
Contact resistance	$\leq 1m\Omega$
screw connector	
mm <sup>2</sup>	0.5-2.5mm <sup>2</sup>
AWG	20-14
Tightening torque	0.5N·m
Stripping Length	7.5mm

## Current carrying capacity

The current carrying capacity of the connector is limited by the thermal load capacity of the contacts and insulating components. The derating curve displays a limited amount of current uniformly and continuously through each contact of the connector at a temperature not exceeding the maximum allowed temperature. Test methods refer to DIN EN 60512-5.



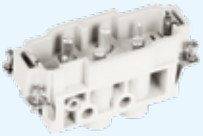
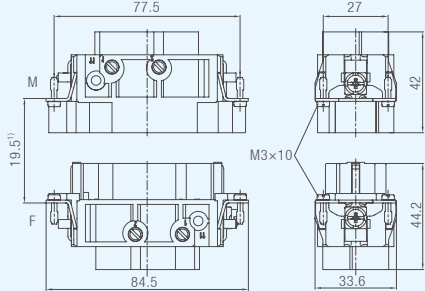
ambient temperature(°C)

- ① Section surface: 16mm<sup>2</sup>
- ② Section surface: 10mm<sup>2</sup>

Number of contacts

4/2 +

Shellsize: Matches the 16A/16B Shell

Description	Type No.	Order No.		Drawing	Dimensions in mm
		Male insert	Female insert		
screw connector  	HDC-HK4/2-M	113060100528		 <p>Maximum distance between connectors 21mm</p>	
	HDC-HK4/2-F	113060200525			

### Spectifications / standard

	IEC 61984
Specifications	IEC 60664-1
	IEC 61373
Approvals	

### Inserts

Number of contacts	4/4+PE
Electrical data acc.to IEC 61984	
Power zone	
Rated Current	70A
Rated Voltage	690V
Insulation resistance	$\geq 10^{10}\Omega$
Rated impluse voltage	8kV
Pollution degree	3
signaling zone	
Rated Current	16A
Rated Voltage	250V
Insulation resistance	$\geq 10^{10}\Omega$
Rated impluse voltage	4kV
Pollution degree	3
Material	antiflaming PC
Limiting temperatures	-40°C~ +125°C
Flame Resistance	EN 45545-2 R22&R23 HL3
Mechanical life	$\geq 500$

### Contacts

Strong electric pin	
Material	Aldary
Surface treatment	silver plating
Contact resistance	$\leq 0.5m\Omega$

### Contacts

Cold-pressed connection	
mm <sup>2</sup>	6-25mm <sup>2</sup>
AWG	10-3
signal pin	
Material	Aldary
Surface treatment	silver plating
Contact resistance	$\leq 1m\Omega$
Cold-pressed connection	
mm <sup>2</sup>	0.14-4mm <sup>2</sup>
AWG	26-12

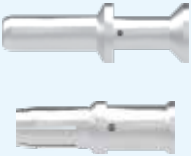
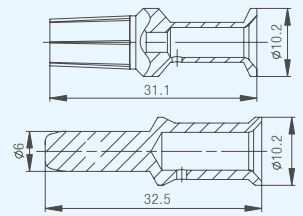

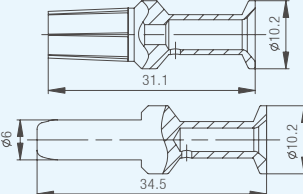




Number of contacts

4/4 +

Shellsize:Matches the 10A/10B Shell

Description	Type No.	Order No.		Drawing	Dimensions in mm																										
		Male insert	Female insert																												
Cold-pressed connection  	HDC-HK4/4-MC	113060100345		 Maximum distance between connectors 21mm  Dimensions of panel mounting holes Contact face position arrangement																											
	HDC-HK4/4-FC		113060200325																												
Description contact pairs	cross-section of conductor (mm <sup>2</sup> )	Order No.		Drawing	Dimensions in mm																										
		Male contact	Female contact																												
gold plating  	0.14-0.37	114020501613	114021001576	  <table border="1"> <thead> <tr> <th colspan="2">Wire gauges</th> <th>Stripping Length</th> </tr> </thead> <tbody> <tr> <td>0.5mm<sup>2</sup></td> <td>AWG20</td> <td>7.5mm</td> </tr> <tr> <td>0.75mm<sup>2</sup></td> <td>AWG18</td> <td>7.5mm</td> </tr> <tr> <td>1mm<sup>2</sup></td> <td>AWG18</td> <td>7.5mm</td> </tr> <tr> <td>1.5mm<sup>2</sup></td> <td>AWG16</td> <td>7.5mm</td> </tr> <tr> <td>2.5mm<sup>2</sup></td> <td>AWG14</td> <td>7.5mm</td> </tr> <tr> <td>4mm<sup>2</sup></td> <td>AWG12</td> <td>7.5mm</td> </tr> <tr> <td>0.14-0.37mm<sup>2</sup></td> <td>AWG26-22</td> <td>7.5mm</td> </tr> </tbody> </table>	Wire gauges		Stripping Length	0.5mm <sup>2</sup>	AWG20	7.5mm	0.75mm <sup>2</sup>	AWG18	7.5mm	1mm <sup>2</sup>	AWG18	7.5mm	1.5mm <sup>2</sup>	AWG16	7.5mm	2.5mm <sup>2</sup>	AWG14	7.5mm	4mm <sup>2</sup>	AWG12	7.5mm	0.14-0.37mm <sup>2</sup>	AWG26-22	7.5mm			
	Wire gauges		Stripping Length																												
	0.5mm <sup>2</sup>	AWG20	7.5mm																												
	0.75mm <sup>2</sup>	AWG18	7.5mm																												
	1mm <sup>2</sup>	AWG18	7.5mm																												
	1.5mm <sup>2</sup>	AWG16	7.5mm																												
2.5mm <sup>2</sup>	AWG14	7.5mm																													
4mm <sup>2</sup>	AWG12	7.5mm																													
0.14-0.37mm <sup>2</sup>	AWG26-22	7.5mm																													
0.5	114020501612	114021001577																													
0.75-1.0	114020501610	114021001582																													
1.5	114020501620	114021001591																													
2.5	114020501618	114021001590																													
4.0	114020501619	114021001581																													
silver plating  	0.14-0.37	114020501621	114021001592																												
	0.5	114020501622	114021001593																												
	0.75-1.0	114020501624	114021001595																												
	1.5	114020501576	114021001550																												
	2.5	114020501560	114021001533																												
	4.0	114020501552	114021001525																												

Description contact pairs	cross-section of conductor (mm <sup>2</sup> )	Order No.		Drawing	Dimensions in mm															
		Male contact	Female contact																	
70A Cold pressed pinhole HDC-HK4/4 series silver plating  	6.0	115260018501	115360019201	 <table border="1" data-bbox="981 560 1412 715"> <thead> <tr> <th colspan="2">Wire gauges</th> <th>Stripping Length</th> </tr> </thead> <tbody> <tr> <td>6.0mm<sup>2</sup></td> <td>AWG10</td> <td>15.5mm</td> </tr> <tr> <td>10.0mm<sup>2</sup></td> <td>AWG8</td> <td>15.5mm</td> </tr> <tr> <td>16.0mm<sup>2</sup></td> <td>AWG5</td> <td>15.5mm</td> </tr> <tr> <td>25.0mm<sup>2</sup></td> <td>AWG3</td> <td>15.5mm</td> </tr> </tbody> </table>	Wire gauges		Stripping Length	6.0mm <sup>2</sup>	AWG10	15.5mm	10.0mm <sup>2</sup>	AWG8	15.5mm	16.0mm <sup>2</sup>	AWG5	15.5mm	25.0mm <sup>2</sup>	AWG3	15.5mm	
	Wire gauges		Stripping Length																	
	6.0mm <sup>2</sup>	AWG10	15.5mm																	
	10.0mm <sup>2</sup>	AWG8	15.5mm																	
16.0mm <sup>2</sup>	AWG5	15.5mm																		
25.0mm <sup>2</sup>	AWG3	15.5mm																		
10.0	115260018502	115360019202																		
16.0	115260018503	115360019203																		
25.0	114020502693	114021002641																		
70A Cold pressed pinhole HDC-HK4/4 series PE silver plating  	6.0	115260018701	115360019301	 <table border="1" data-bbox="981 987 1412 1142"> <thead> <tr> <th colspan="2">Wire gauges</th> <th>Stripping Length</th> </tr> </thead> <tbody> <tr> <td>6.0mm<sup>2</sup></td> <td>AWG10</td> <td>15.5mm</td> </tr> <tr> <td>10.0mm<sup>2</sup></td> <td>AWG8</td> <td>15.5mm</td> </tr> <tr> <td>16.0mm<sup>2</sup></td> <td>AWG5</td> <td>15.5mm</td> </tr> <tr> <td>25.0mm<sup>2</sup></td> <td>AWG3</td> <td>15.5mm</td> </tr> </tbody> </table>	Wire gauges		Stripping Length	6.0mm <sup>2</sup>	AWG10	15.5mm	10.0mm <sup>2</sup>	AWG8	15.5mm	16.0mm <sup>2</sup>	AWG5	15.5mm	25.0mm <sup>2</sup>	AWG3	15.5mm	
	Wire gauges		Stripping Length																	
	6.0mm <sup>2</sup>	AWG10	15.5mm																	
	10.0mm <sup>2</sup>	AWG8	15.5mm																	
16.0mm <sup>2</sup>	AWG5	15.5mm																		
25.0mm <sup>2</sup>	AWG3	15.5mm																		
10.0	115260018702	115360019302																		
16.0	115260018703	115360019303																		
25.0	114020502694	114021002642																		
Description	Pressure connection diameter /scope of application		Type No.	Order No.																
<b>Crimping tool</b>  	0.14-4.0mm <sup>2</sup>		M22520/1-01(DMC)	531030600020																
	6-120mm <sup>2</sup> Use with crimping tooling		EK60/22	Go to page 298																
<b>Needle withdrawal tool</b>  	16A Cold-pressed pin		HDC-HE-CX	113030400142																

**Specifications / standard**

	IEC 61984
Specifications	IEC 60664-1
	IEC 61373
Approvals	

**Inserts**

Number of contacts	4/8+PE
Electrical data acc.to IEC 61984	
Power zone	
Rated Current	80A
Rated Voltage	400V
Rated impluse voltage	6kV
Pollution degree	3
Parameters at the current contamination level of 2	80A 400/690V 6kV 2
signaling zone	
Rated Current	16A
Rated Voltage	400V
Rated impluse voltage	6kV
Pollution degree	3
According to UL/CSA Rated Voltage	600/600V
Insulation resistance	$\geq 10^{10}\Omega$
Material	Antiflaming PC
Limiting temperatures	-40°C~ +125°C
Flame retardant rating	EN 45545-2 R22&R23 HL3
Mechanical life	$\geq 500$

**Contacts**

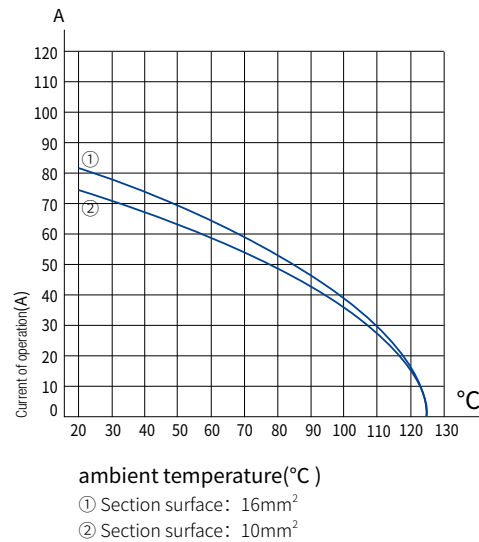
Strong electric pin	
Material	Aldary
Surface treatment	silver plating
Contact resistance	$\leq 0.3m\Omega$

**Contacts**

screw connector	
mm <sup>2</sup>	1.5-16mm <sup>2</sup>
AWG	16-6
Tightening torque	
mm <sup>2</sup>	1.5 2.5 4 6 10 16
N-m	1.2 2 3 3 3 3
Stripping Length	14mm
signal pin	
Material	Aldary
Surface treatment	silver plating
Contact resistance	$\leq 1m\Omega$
screw connector	
mm <sup>2</sup>	0.5-2.5mm <sup>2</sup>
AWG	20-14
Tightening torque	0.5N·m
Stripping Length	7.5mm

**Current carrying capacity**

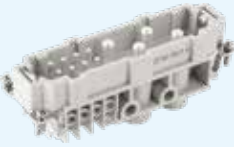
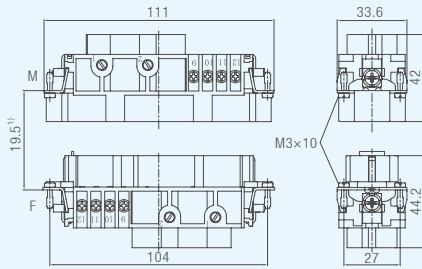
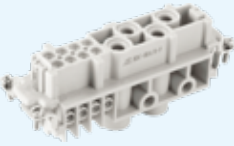
The current carrying capacity of the connector is limited by the thermal load capacity of the contacts and insulating components. The derating curve displays a limited amount of current uniformly and continuously through each contact of the connector at a temperature not exceeding the maximum allowed temperature. Test methods refer to DIN EN 60512-5.



Number of contacts

4/8 +

Shellsize:Matches the 24A/24B Shell

Description	Type No.	Order No.		Drawing	Dimensions in mm
		Male insert	Female insert		
screw connector 	HDC-HK4/8-M	113060100500		 <p>Maximum distance between connectors 21mm</p>	
		HDC-HK4/8-F			

**Specifications / standard**

	IEC 61984
Specifications	IEC 60664-1
	IEC 61373
Approvals	

**Inserts**

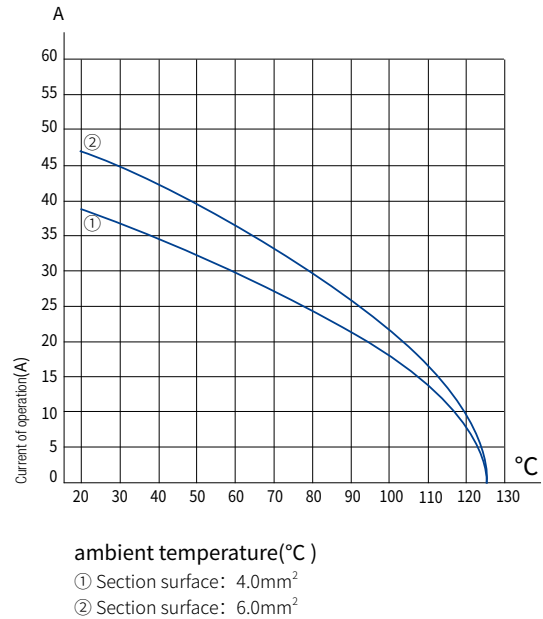
Number of contacts	6+PE
Electrical data acc.to IEC 61984	
Rated Current	35A
Relative rated voltage	400V
Phase rated voltage	690V
According to UL/CSA Rated Voltage	600/600V
Rated impulse voltage	6kV
Pollution degree	3
Insulation resistance	$\geq 10^{10}\Omega$
Material	Antiflaming PC
Limiting temperatures	-40°C ~ +125°C
Flame retardant rating	EN 45545-2 R22&R23 HL3
Mechanical life	$\geq 500$

**Contacts**

Material	Aldary
Surface treatment	silver plating
Contact resistance	$\leq 1m\Omega$
screw connector	
mm <sup>2</sup>	1.5-6mm <sup>2</sup>
AWG	16-10
Tightening torque	1.2N·m

**Current carrying capacity**

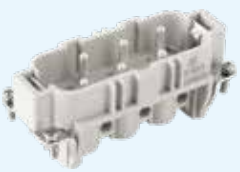
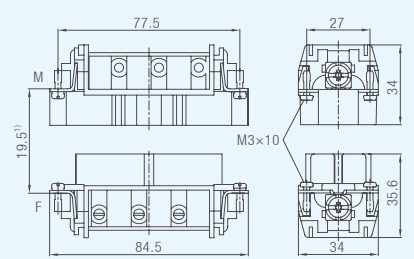

The current carrying capacity of the connector is limited by the thermal load capacity of the contacts and insulating components. The derating curve displays a limited amount of current uniformly and continuously through each contact of the connector at a temperature not exceeding the maximum allowed temperature. Test methods refer to DIN EN 60512-5.



Number of contacts

# 6 + PE

Shellsize:Matches the 16A/16B Shell


Description	Type No.	Order No.		Drawing	Dimensions in mm
		Male insert	Female insert		
screw connector  	HDC-HSB6-M	112012000692		 <p>Maximum distance between connectors 21mm</p>	
		HDC-HSB6-F			







Shell / Series A  
 Shell / Series B  
 Shell / Series P  
 Inserts / Series D  
 Inserts / Series E  
 Inserts / Series M  
 Inserts / Series H  
 Inserts / Series Q  
**Inserts / Series K (Hybrid)**  
 Inserts / Series C  
 Inserts / Anti-Open Circuit  
 Accessory

## C Seriesconnector







C Series

Series	HDC-HC200 Insert	
Description		
Number of contacts	3	
mode of connection	Cold-pressed connection	
Matching housing specifications	24A	
Electrical data according to DIN EN 61984	200A 2000V 8kV 3	
Wiring specification	35-70mm <sup>2</sup>	
Male contacts	113060100610	113060100611
Female contacts	113060200616	113060200616

Series	HDC-HC250 Insert				
Description					
Number of contacts	3	4	4	4	3
mode of connection	Cold-pressed connection	Cold-pressed connection	Cold-pressed connection	Cold-pressed connection	Cold-pressed connection
Matching housing specifications	24A	24A	24A	16A	16A
Electrical data according to DIN EN 61984	250A 2kV 12kV 3				
Wiring specification	10-70mm <sup>2</sup>				
Male contacts	113060100747				
Female contacts	113060200756				
Description					
Accessory mounting bracket	3 needle Male 3 needle Female	4 needle Male 4 needle Female	4 needle Male 4 needle Female	4 needle Male 4 needle Female	3 needle Male 3 needle Female
Male contacts	113030200215	113030200213	113030200217	113030200233	113030200235
Female contacts	113030200216	113030200214	113030200218	113030200232	113030200234



Series	HDC-HC350 Insert				
Description					
Number of contacts	1	2	2	3	4
mode of connection	Cold-pressed connection	Cold-pressed connection	Cold-pressed connection	Cold-pressed connection	Cold-pressed connection
Matching housing specifications	6A/6B	16A/16B	24A/24B	24A/24B	24A/24B
Electrical data according to DIN EN 61984	350A 2kV 12kV 3 (standard)		350A 4kV 18kV 3 (Cable outlet insulation protection)		
Wiring specification	4-120mm <sup>2</sup>				
Male contacts	112029800120				
Female contacts	112019800070				
Description					
Accessory mounting bracket	1 needle	2 needle	2 needle	3 needle	4 needle Male 4 needle Female
Order No.	113030200135	113030200136	113030200137	113030200138	113030200139 113030200140

Series	HDC-HC650 Insert		
Description			
Number of contacts	1	2	4
mode of connection	Cold-pressed connection	Cold-pressed connection	Cold-pressed connection
Matching housing specifications	6A/6B	24A/24B	48A
Electrical data according to DIN EN 61984	650A 2kV 12kV 3 (standard)		650A 4kV 18kV 3 (Cable outlet insulation protection)
Wiring specification	25-240mm <sup>2</sup>		
Male contacts	112029800121		
Female contacts	112019800071		
Description			
Accessory mounting bracket	1 needle	2 needle	4 core
Order No.	113030200013	113030200012	113030200237 113030200239



### Specifications / standard

	IEC 61984
Specifications	IEC 60664-1
	IEC 61373

Approvals

### Inserts

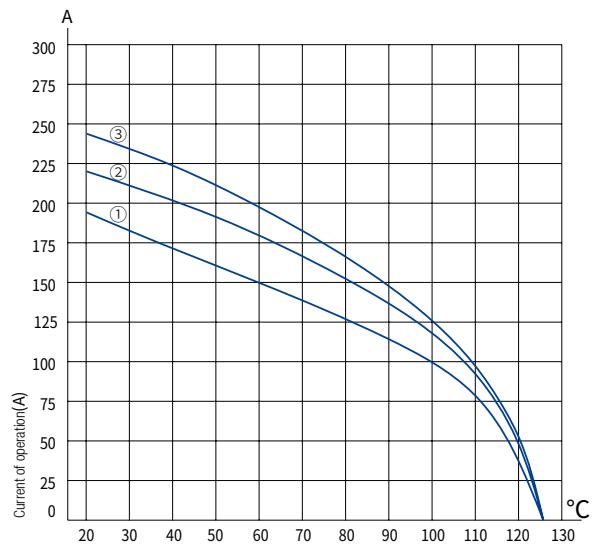
Number of contacts	3
Electrical data acc.to IEC 61984	
Rated Current	200A
Rated Voltage	2000V
Insulation resistance	$\geq 10^{10}\Omega$
Rated impulse voltage	8kV
Pollution degree	3
Material	antiflaming PC
Limiting temperatures	-40°C ~ +125°C
Flame Resistance	EN 45545-2 R22&R23 HL3
Mechanical life	$\geq 500$

### Contacts

Material	Aldary
Surface treatment	silver plating
Contact resistance	$\leq 0.3m\Omega$
Cold-pressed connection	
mm <sup>2</sup>	35-70mm <sup>2</sup>
Maximum Cable diameter	$\leq \Phi 18mm$

### Current carrying capacity

The current carrying capacity of the connector is limited by the thermal load capacity of the contacts and insulating components. The derating curve displays a limited amount of current uniformly and continuously through each contact of the connector at a temperature not exceeding the maximum allowed temperature. Test methods refer to DIN EN 60512-5.


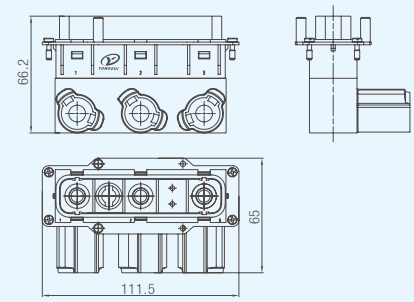

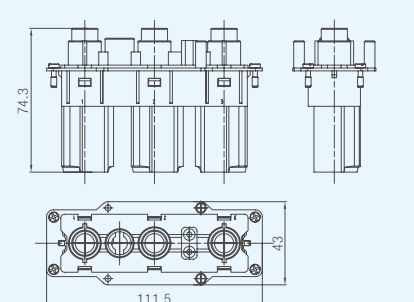



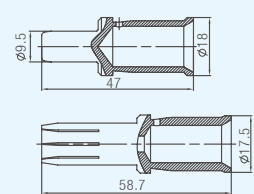
ambient temperature(°C)  
 ① Section surface: 35mm<sup>2</sup>  
 ② Section surface: 50mm<sup>2</sup>  
 ③ Section surface: 70mm<sup>2</sup>



## Number of contacts


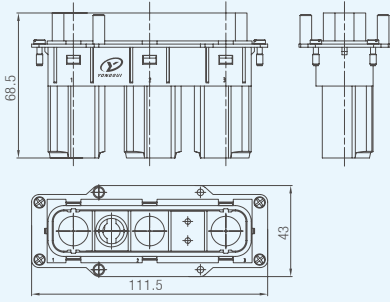

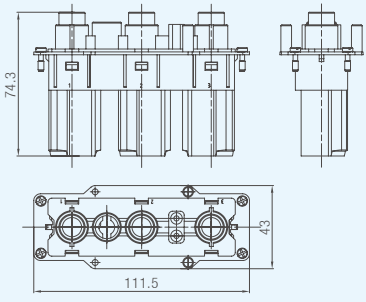
# 3


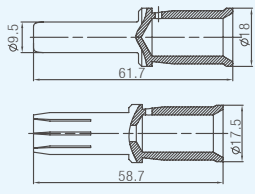
Shellsize : Matches the 24A Shell, Cold-pressed connection Cold-pressed pins need to be ordered separately



Description	Type No.	Order No.		Drawing	Dimensions in mm
		Male insert	Female insert		
	HDC-HC200B-MC	113060100610			66.2 111.5 65
	HDC-HC200-FC		113060200616		74.3 111.5 43


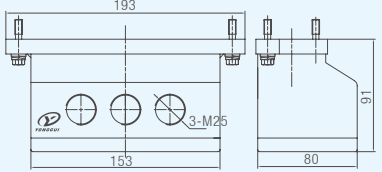

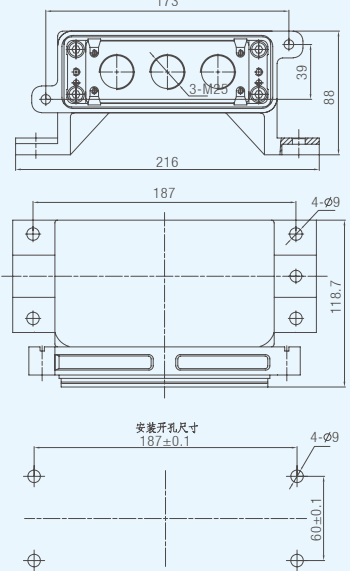
Description contact pairs	sectional area (mm <sup>2</sup> )	Order No.		Drawing	Dimensions in mm
		Male contact	Female contact		
200A Cold pressed pinhole HC200 series silver plating 	35	115260018901	115360019501		Stripping Length 25mm
	50	115260018902	115360019502		
	70	115260018903	115360019503		

Description	Pressure connection diameter /scope of application	Type No.	Order No.
<b>Crimping tool</b> 	6-120mm <sup>2</sup> Use with crimping tooling	EK60/22	Go to page 298
<b>Needle withdrawal tool</b> 	Cold-pressed pin	HDC-HC200-CX	114030300329

Description	Type No.	Order No.		Drawing	Dimensions in mm
		Male insert	Female insert		
	HDC-HC200A-MC	113060100611			
	HDC-HC200-FC		113060200616		

Description contact pairs	sectional area (mm <sup>2</sup> )	Order No.		Drawing	Dimensions in mm
		Male contact	Female contact		
 200A Cold pressed pinhole HC200 series silver plating	35	115260019001	115360019501	 Stripping Length 25mm	
	50	115260019002	115360019502		
	70	115260019003	115360019503		

Description	Pressure connection diameter /scope of application	Type No.	Order No.
<b>Crimping tool</b> 	6-120mm <sup>2</sup> Use with crimping tooling	EK60/22	Go to page 298
<b>Needle withdrawal tool</b> 	Cold-pressed pin	HDC-HC200-CX	114030300329

Description	Type No.	Screw thread		Order No.	Drawing	Dimensions in mm
		M	Pg			
<b>Hoods</b> Black 	A104-3SM25			113010100936		
<b>Housing</b> 	A104-3TM25			115420003701		



### Specifications / standard

	IEC 61984
Specifications	IEC 60664-1
	IEC 61373
Approvals	

### Inserts

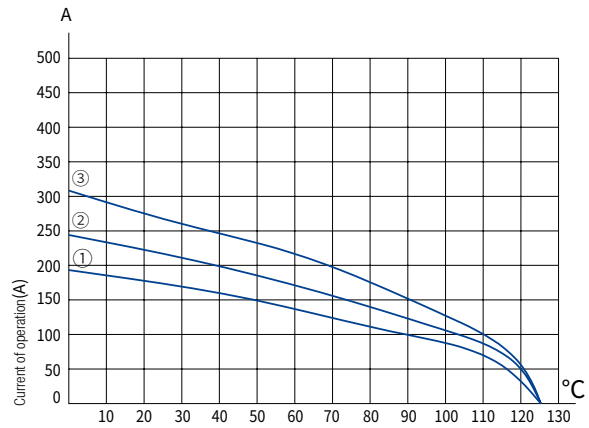
Number of contacts	3,4
Electrical data acc.to IEC 61984	
Rated Current	250A
Rated Voltage	2000V
Insulation resistance	$\geq 10^{10}\Omega$
Rated impulse voltage	12kV
Pollution degree	3
Material	antiflaming PC
Limiting temperatures	-40°C ~ +125°C
Flame Resistance	EN 45545-2 R22&R23 HL3
Mechanical life	$\geq 500$

### Contacts

Material	Aldary
Surface treatment	silver plating
Contact resistance	$\leq 0.3m\Omega$
Cold-pressed connection	
mm <sup>2</sup>	10-70mm <sup>2</sup>
Maximum Cable diameter	$\leq \Phi 18.5mm$

### Current carrying capacity

The current carrying capacity of the connector is limited by the thermal load capacity of the contacts and insulating components. The derating curve displays a limited amount of current uniformly and continuously through each contact of the connector at a temperature not exceeding the maximum allowed temperature. Test methods refer to DIN EN 60512-5.




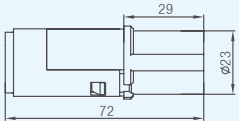

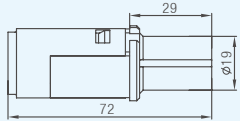
ambient temperature(°C)

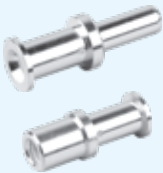
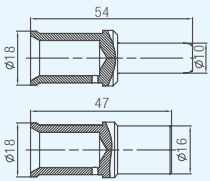
- ① Section surface: 35mm<sup>2</sup>
- ② Section surface: 50mm<sup>2</sup>
- ③ Section surface: 70mm<sup>2</sup>



Number of contacts

3, 4


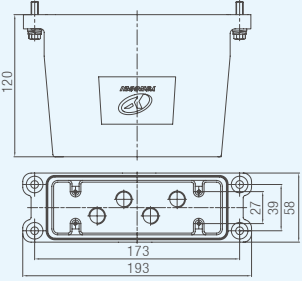
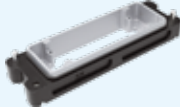
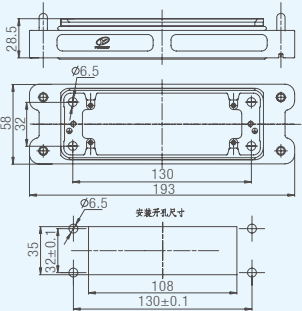

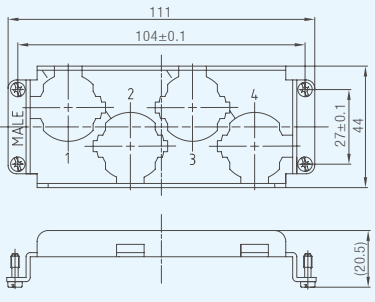
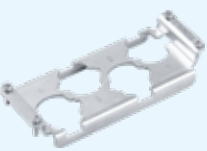
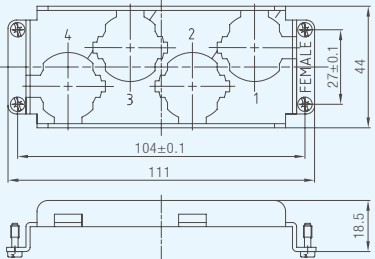
Shellsize : Matches the 24A Shell, Cold-pressed connection Cold-pressed pins need to be ordered separately

Description	Type No.	Order No.		Drawing	Dimensions in mm
		Male insert	Female insert		
	HDC-HC250-MC	113060100747			
	HDC-HC250-FC		113060200756		


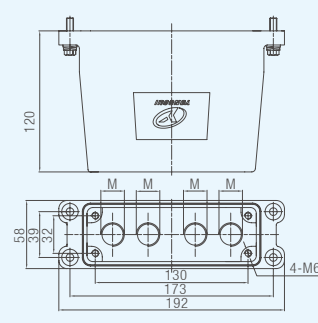
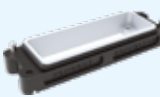
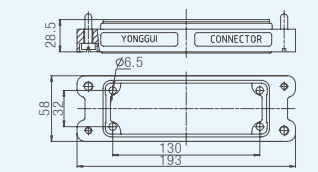
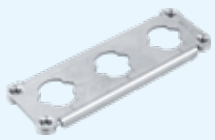
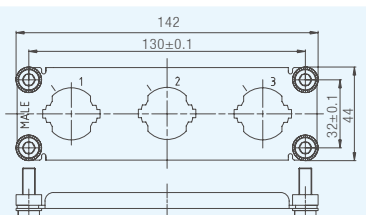


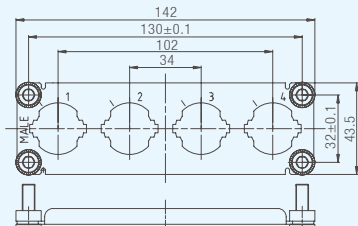
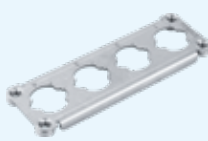
Description contact pairs	sectional area (mm <sup>2</sup> )	Order No.		Drawing	Dimensions in mm
		Male contact	Female contact		
250A Cold pressed pinhole HC250 series silver plating 	10	115260018101	115310018301	 Stripping Length 23mm	
	16	115260018102	115310018302		
	25	115260018103	115310018303		
	35	115260018104	115310018304		
	50	115260018105	115310018305		
	70	115260018106	115310018306		

Description	Pressure connection diameter /scope of application	Type No.	Order No.
<b>Crimping tool</b> 	6-120mm <sup>2</sup> Use with crimping tooling	EK60/22	Go to page 298
<b>Needle withdrawal tool</b> 	Cold-pressed pin	HDC-HC250-CX	114030300327


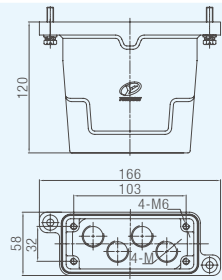

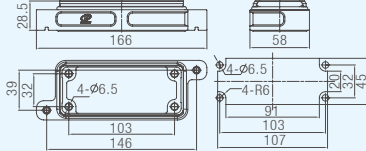
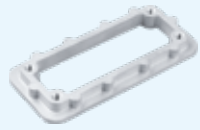
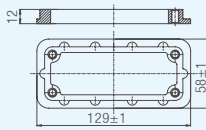

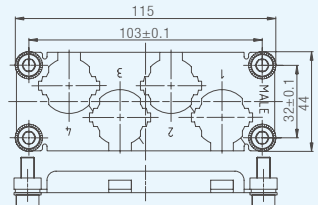
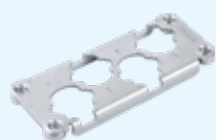
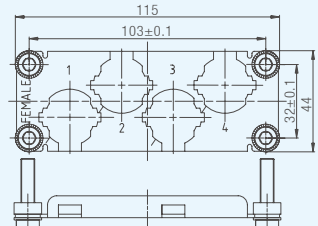

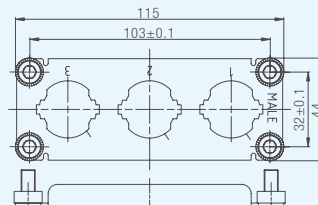

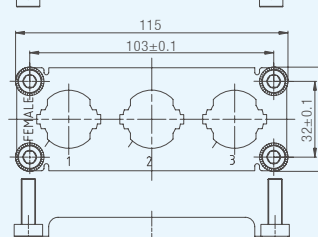
Shell / Series A  
 Shell / Series B  
 Shell / Series P  
 base / Series D  
 Inserts / Series E  
 Inserts / Series M  
 Inserts / Series H  
 Inserts / Series Q  
 Inserts / Series K (Hybrid)  
 Inserts / Series C  
 Inserts / Anti-Open Circuit  
 Accessory

Description	Type No.	Screw thread		Order No.	Drawing	Dimensions in mm
		M	Pg			
<b>Upper Half Shell</b> 	HDC-24AU-SGH-II-4TM20	4×20		115410021501		
	HDC-24AU-SGH-II-4TM25	4×25		115410021502		
<b>Lower shell Lower Housing</b> 	HDC-24AL-SGL			113010600534		
Mounting bracket Description	Type No.	Order No.		Drawing	Dimensions in mm	
		Male mounting rack	Female mounting rack			
	HC250-104-M	113030200217				
	HC250-104-F		113030200218			



Description		Type No.	Screw thread		Order No.	Drawing	Dimensions in mm
			M	Pg			
Upper Half Shell	<b>Type III Hoods</b> Top Entry 	HDC-24AU-SGH- 4TM25	4×25		115410018201		
		HDC-24AU-SGH-3TM32	3×32		115410018202		
		HDC-24AU-SGH-TM20+3TM25	20+3 ×25		115410018203		
		HDC-24AU-SGH-2TM20+2TM32	2×20 +2×32		115410018204		
Lower Housing	<b>Type II Housing</b> 	HDC-24AL-SGL			113010600636		
Mounting bracket Description		Type No.	Order No.		Drawing	Dimensions in mm	
			Male mounting rack	Female mounting rack			
		HC250-104-M	113030200215				
		HC250-104-F	113030200216				
		HC250-104-M	113030200213				
		HC250-104-F	113030200214				

Shell / Series A  
 Shell / Series B  
 Shell / Series P  
 Base / Series D  
 Inserts / Series E  
 Inserts / Series M  
 Inserts / Series H  
 Inserts / Series Q  
 Inserts / Series K (Hybrid)  
**Inserts / Series C**  
 Inserts / Anti-Open Circuit  
 Accessory

Description		Type No.	Screw thread		Order No.	Drawing	Dimensions in mm
			M	Pg			
Upper Half Shell	<b>Hoods</b> Four Top Entry 	HDC-16AU-SH- III -4TM20			115410023101		
		HDC-16AU-SH- III -4TM25			115410023102		
Lower shell	<b>Housing</b> 	HDC-16AL-SL- III			113010600701		
Mounting base		HDC-16A			114012300099		
Mounting bracket Description	Type No.	Order No.		Drawing	Dimensions in mm		
		Male mounting rack	Female mounting rack				
	HC250-77-M	113030200233					
	HC250-77-F					113030200232	
	HC250-77-M	113030200235					
	HC250-77-F					113030200234	

**Specifications / standard**

	IEC 61984
Specifications	IEC 60664-1
	IEC 61373
Approvals	

**Inserts**

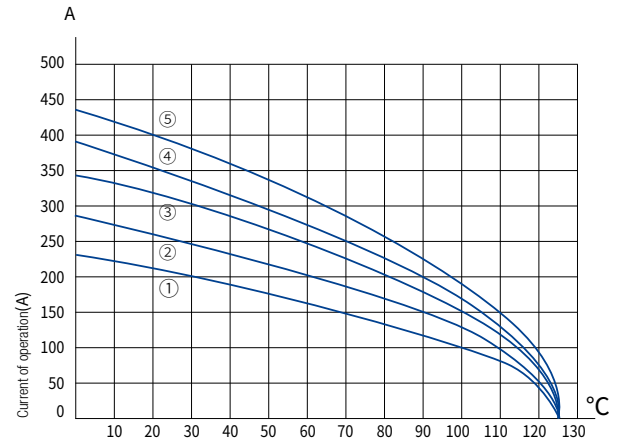
Number of contacts	1, 2, 3, 4
Electrical data acc.to IEC 61984	
Rated Current	350A
Rated Voltage	2000V(standard)、4000V(Cable outlet insulation protection)
Rated impulse voltage	12kV(standard)、18kV(Cable outlet insulation protection)
Pollution degree	3
Insulation resistance	$\geq 10^{10}\Omega$
Material	PA
Limiting temperatures	-40°C~ +125°C
Flame retardant rating	EN 45545-2 R22&R23 HL3
Mechanical life	$\geq 500$

**Contacts**

Material	Al-dry
Surface treatment	silver plating
Contact resistance	$\leq 0.15m\Omega$
Cold-pressed connection	
mm <sup>2</sup>	4-120mm <sup>2</sup>
Distribution outer diameter	$\leq \Phi 22mm$

**Current carrying capacity**

The current carrying capacity of the connector is limited by the thermal load capacity of the contacts and insulating components. The derating curve displays a limited amount of current uniformly and continuously through each contact of the connector at a temperature not exceeding the maximum allowed temperature. Test methods refer to DIN EN 60512-5.


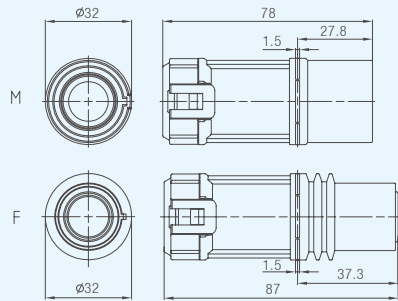




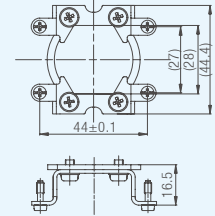
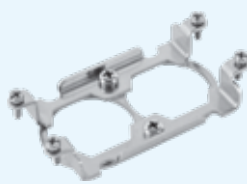
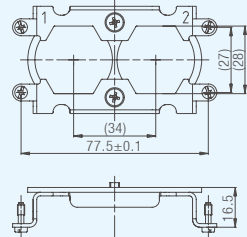
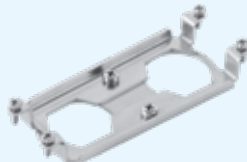
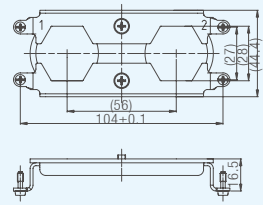
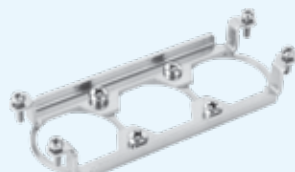
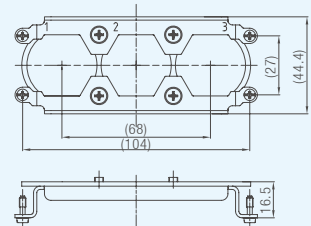
ambient temperature(°C)

**24A High Protection Sheathing, With 3 module cores**


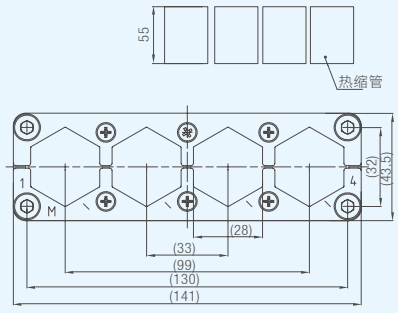
- ① Section surface: 35mm<sup>2</sup>      ④ Section surface: 95mm<sup>2</sup>
- ② Section surface: 50mm<sup>2</sup>      ⑤ Section surface: 120mm<sup>2</sup>
- ③ Section surface: 70mm<sup>2</sup>


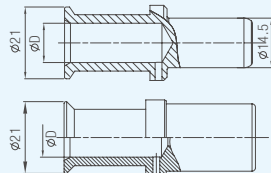
Shellsize: Matches the 6A/24A Shell, Cold-pressed connection Cold-pressed pins need to be ordered separately


Insert description	Type No.	Order No.		Drawing	Dimensions in mm
		Male insert	Female insert		
	HDC-HC350-MC	112029800120			
	HDC-HC350-FC	112019800070			

Mountingbracket descriptio	Order No.	Drawing	Dimensions in mm
HC350-44 mounting bracket (1 contact ) 	113030200135		
HC350-77 mounting bracket (2 contact ) 	113030200136		
HC350-104 mounting bracket (2 contact ) 	113030200137		
HC350-104 mounting bracket (3 contact ) 	113030200138		

Shell / Series A  
 Shell / Series B  
 Shell / Series P  
 Inserts / Series D  
 Inserts / Series E  
 Inserts / Series H  
 Inserts / Series I  
 Inserts / Series Q  
 Inserts / Series K (Hybrid)  
 Inserts / Series C  
 Inserts / Anti-Open Circuit  
 Accessory

Mountingbracket descriptio	Order No.		Drawing	Dimensions in mm
	Male insert	Female insert		
HC350-130 mounting bracket (4 contact)  	113030200139			
		113030200140		

Description contact pairs	sectional area (mm <sup>2</sup> )	Order No.		Drawing	Dimensions in mm																																	
		Male contact	Female contact																																			
350A Cold-pressed pin HDC-HC350 series  	4	115260017601	115310017801		<table border="1"> <thead> <tr> <th>Wire gauges</th> <th>D</th> <th>Stripping Length</th> </tr> </thead> <tbody> <tr><td>4mm<sup>2</sup></td><td>2.8</td><td>10</td></tr> <tr><td>6mm<sup>2</sup></td><td>3.5</td><td>10</td></tr> <tr><td>10mm<sup>2</sup></td><td>4.5</td><td>15</td></tr> <tr><td>16mm<sup>2</sup></td><td>5.7</td><td>15</td></tr> <tr><td>25mm<sup>2</sup></td><td>7.2</td><td>15</td></tr> <tr><td>35mm<sup>2</sup></td><td>8.4</td><td>27</td></tr> <tr><td>50mm<sup>2</sup></td><td>10.2</td><td>27</td></tr> <tr><td>70mm<sup>2</sup></td><td>11.7</td><td>27</td></tr> <tr><td>95mm<sup>2</sup></td><td>13.7</td><td>27</td></tr> <tr><td>120mm<sup>2</sup></td><td>15.7</td><td>27</td></tr> </tbody> </table>	Wire gauges	D	Stripping Length	4mm <sup>2</sup>	2.8	10	6mm <sup>2</sup>	3.5	10	10mm <sup>2</sup>	4.5	15	16mm <sup>2</sup>	5.7	15	25mm <sup>2</sup>	7.2	15	35mm <sup>2</sup>	8.4	27	50mm <sup>2</sup>	10.2	27	70mm <sup>2</sup>	11.7	27	95mm <sup>2</sup>	13.7	27	120mm <sup>2</sup>	15.7	27
	Wire gauges	D	Stripping Length																																			
	4mm <sup>2</sup>	2.8	10																																			
	6mm <sup>2</sup>	3.5	10																																			
	10mm <sup>2</sup>	4.5	15																																			
	16mm <sup>2</sup>	5.7	15																																			
	25mm <sup>2</sup>	7.2	15																																			
	35mm <sup>2</sup>	8.4	27																																			
	50mm <sup>2</sup>	10.2	27																																			
	70mm <sup>2</sup>	11.7	27																																			
	95mm <sup>2</sup>	13.7	27																																			
120mm <sup>2</sup>	15.7	27																																				
6	115260017602	115310017802																																				
10	115260017603	115310017803																																				
16	115260017604	115310017804																																				
25	115260017605	115310017805																																				
35	115260014501	115310014501																																				
50	115260014502	115310014502																																				
70	115260014503	115310014503																																				
95	115260014504	115310014504																																				
120	115260014505	115310014505																																				

Description	Pressure connection diameter /scope of application	Type No.	Order No.
<b>Crimping tool</b> 	6-120mm <sup>2</sup> Use with crimping tooling	EK60/22	Go to page 298

\*More pinholes can be found on pages 278-283, and more tools can be found on pages 274-277



### Specifications / Approvals

	IEC 61984
Specifications	IEC 60664-1
	IEC 61373
Approvals	

### Inserts

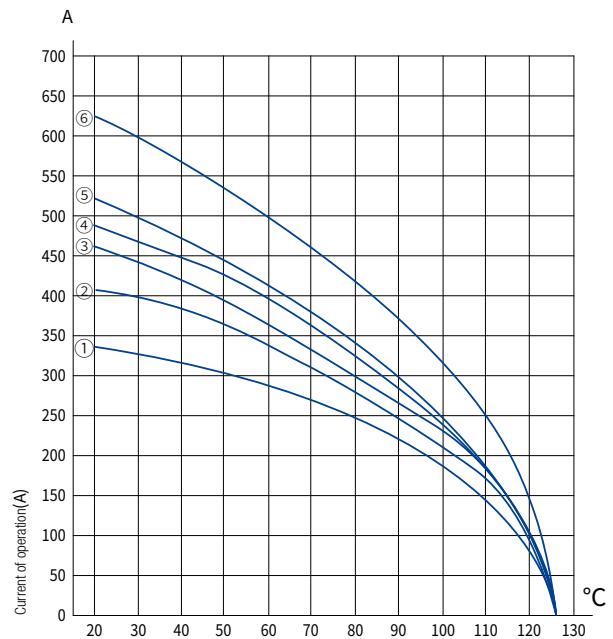
Number of contacts	1, 2, 4
Electrical data acc.to IEC 61984	
Rated Current	650A
Rated Voltage	2000V(standard)、4000V(Cable outlet insulation protection)
Rated impulse voltage	12kV(standard)、18kV(Cable outlet insulation protection)
Pollution degree	3
Insulation resistance	$\geq 10^{10}\Omega$
Material	PA
Limiting temperatures	-40°C ~ +125°C
Flame retardant rating	EN 45545-2 R22&R23 HL3
Mechanical life	$\geq 500$

### Contacts

Material	Aldary
Surface treatment	silver plating
Contact resistance	$\leq 0.15m\Omega$
Cold-pressed connection	
mm <sup>2</sup>	25-240mm <sup>2</sup>
Maximum core diameter	30mm

### Current carrying capacity


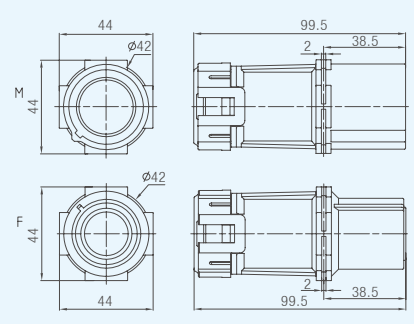

The current carrying capacity of the connector is limited by the thermal load capacity of the contacts and insulating components. The derating curve displays a limited amount of current uniformly and continuously through each contact of the connector at a temperature not exceeding the maximum allowed temperature. Test methods refer to DIN EN 60512-5.


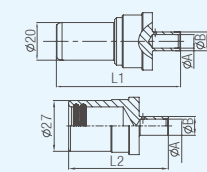
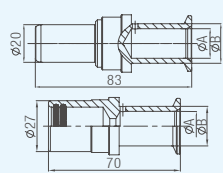



ambient temperature(°C)

- ① Section surface: 70mm<sup>2</sup>
- ② Section surface: 95mm<sup>2</sup>
- ③ Section surface: 120mm<sup>2</sup>
- ④ Section surface: 150mm<sup>2</sup>
- ⑤ Section surface: 180mm<sup>2</sup>
- ⑥ Section surface: 240mm<sup>2</sup>


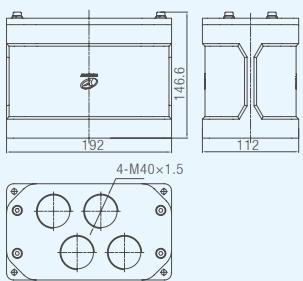

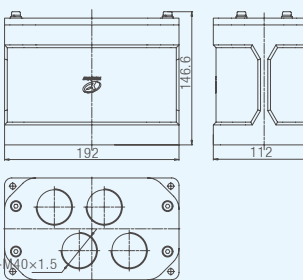

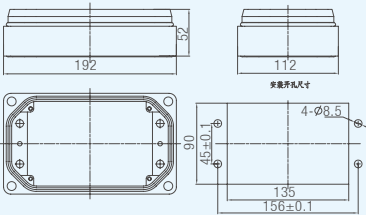

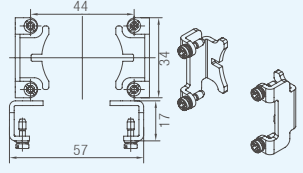

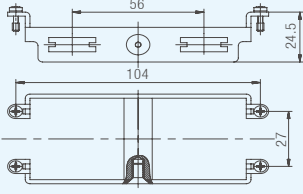
Shellsize : Matches the 6A/24A Shell , Cold-pressed connection Cold-pressed pins need to be ordered separately

插 coreDescription	Type No.	Order No.		Drawing	Dimensions in mm
		Male insert	Female insert		
	HDC-HC650-MC	112029800121			
	HDC-HC650-FC		112019800071		


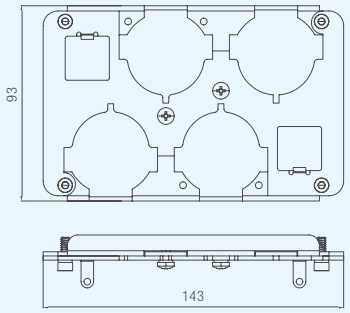
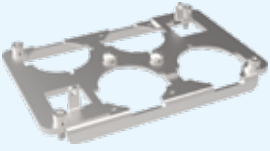
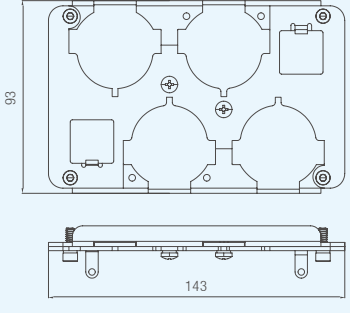
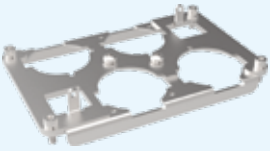
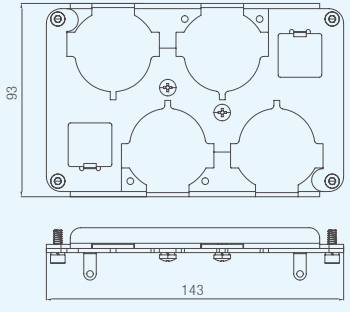

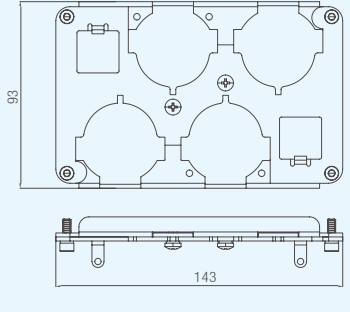
Description contact pairs	cross-section of conductor (mm <sup>2</sup> )	Order No.		Drawing	Dimensions in mm																											
		Male contact	Female contact																													
silver plating  	25	115260017701	115310017901		<table border="1"> <thead> <tr> <th>Wire gauges</th> <th>A</th> <th>B</th> <th>L1</th> <th>L2</th> <th>Stripping Length</th> </tr> </thead> <tbody> <tr> <td>25mm<sup>2</sup></td> <td>7.2</td> <td>10</td> <td>66</td> <td>53</td> <td>15mm</td> </tr> <tr> <td>35mm<sup>2</sup></td> <td>8.4</td> <td>12.5</td> <td>66</td> <td>53</td> <td>15mm</td> </tr> <tr> <td>50mm<sup>2</sup></td> <td>10.2</td> <td>14.5</td> <td>71</td> <td>59</td> <td>20mm</td> </tr> </tbody> </table>	Wire gauges	A	B	L1	L2	Stripping Length	25mm <sup>2</sup>	7.2	10	66	53	15mm	35mm <sup>2</sup>	8.4	12.5	66	53	15mm	50mm <sup>2</sup>	10.2	14.5	71	59	20mm			
	Wire gauges	A	B			L1	L2	Stripping Length																								
	25mm <sup>2</sup>	7.2	10	66	53	15mm																										
	35mm <sup>2</sup>	8.4	12.5	66	53	15mm																										
	50mm <sup>2</sup>	10.2	14.5	71	59	20mm																										
	35	115260017702	115310017902																													
	50	115260017703	115310017903																													
	70	115260014601	115310014601																													
95	115260014602	115310014602																														
120	115260014603	115310014603																														
150	115260014604	115310014604																														
185	115260014605	115310014605																														
240	115260014606	115310014606		 <table border="1"> <thead> <tr> <th>Wire gauges</th> <th>A</th> <th>B</th> <th>Stripping Length</th> </tr> </thead> <tbody> <tr> <td>70mm<sup>2</sup></td> <td>11.7</td> <td>16.5</td> <td>32mm</td> </tr> <tr> <td>95mm<sup>2</sup></td> <td>13.7</td> <td>19</td> <td>32mm</td> </tr> <tr> <td>120mm<sup>2</sup></td> <td>15.7</td> <td>21</td> <td>32mm</td> </tr> <tr> <td>150mm<sup>2</sup></td> <td>17.2</td> <td>23.5</td> <td>32mm</td> </tr> <tr> <td>185mm<sup>2</sup></td> <td>19.3</td> <td>25.5</td> <td>32mm</td> </tr> <tr> <td>240mm<sup>2</sup></td> <td>21.8</td> <td>29</td> <td>32mm</td> </tr> </tbody> </table>	Wire gauges	A	B	Stripping Length	70mm <sup>2</sup>	11.7	16.5	32mm	95mm <sup>2</sup>	13.7	19	32mm	120mm <sup>2</sup>	15.7	21	32mm	150mm <sup>2</sup>	17.2	23.5	32mm	185mm <sup>2</sup>	19.3	25.5	32mm	240mm <sup>2</sup>	21.8	29	32mm
Wire gauges	A	B	Stripping Length																													
70mm <sup>2</sup>	11.7	16.5	32mm																													
95mm <sup>2</sup>	13.7	19	32mm																													
120mm <sup>2</sup>	15.7	21	32mm																													
150mm <sup>2</sup>	17.2	23.5	32mm																													
185mm <sup>2</sup>	19.3	25.5	32mm																													
240mm <sup>2</sup>	21.8	29	32mm																													

Description	Pressure connection diameter /scope of application	Type No.	Order No.
<b>Crimping tool</b> 650A 	150-240mm <sup>2</sup>	EK120/42L	Go to page 298

\*More pinholes can be found on pages 278-283, and more tools can be found on pages 274-277

Description	Type No.	Screw thread		Order No.	Drawing	Dimensions in mm		
		M	Pg					
Upper Half Shell	<b>Hoods</b> Top Entry Black 	HDC-48AU-SH-4TM40	4 × 40		113010100875			
	<b>Hoods</b> Top Entry Black 	HDC-48AU-SH-4TM40	4 × 40		113010100876			
Lower shell Lower Housing	<b>Housing</b> Black 	HDC-48AL-SL- III			113010600706			
Mounting bracket Description		Order No.			Drawing		Dimensions in mm	
D650-44		113030200013						
HC650-104		113030200248						



Mounting bracket Description	Type No.	Order No.	Drawing Dimensions in mm
<p>Mounting frame group</p> 	48AU-(4HC650+HQ)-ML	113030200237	
	48AU-(4HC650+HQ)-MR	113030200238	
	48AU-(4HC650+HQ)-FL	113030200239	
	48AU-(4HC650+HQ)-FR	113030200240	

Shell / Series A

Shell / Series B

Shell / Series P

Insert / Series D

Inserts / Series E

Inserts / Series M

Inserts / Series H

Inserts / Series Q

Inserts / Series K (Hybrid)

Inserts / Series C

Inserts / Anti-Open Circuit

Accessory

Anti-Open Circurt Series connector




connector  
Series  
AOC

Series	HDC-AOC6 Insert
Description	
Number of contacts	6+PE
Mode of connection	Cold-pressed connection
Matching housing specifications	6A/6B/P6
Electrical data according to DIN EN61984	40A 500V 6kV 3
Wiring specification	1.5-4mm <sup>2</sup>
Male insert	112012001144
Female insert	112022001427

\*More products continue to be updated

### Specifications / Approvals

	IEC 61984
Specifications	IEC 60664-1
	IEC 61373
Approvals	

### Inserts

Number of contacts	6+PE
Electrical data acc.to IEC 61984	
Rated Current	40A
Rated Voltage	500V
Insulation resistance	$\geq 10^{10}\Omega$
Rated impulse voltage	6KV
Pollution degree	3
Material	Antiflaming PC
Limiting temperatures	-40°C~ +125°C
Flame retardant rating	EN 45545-2 R22&R23 HL3
Mechanical life	$\geq 500$


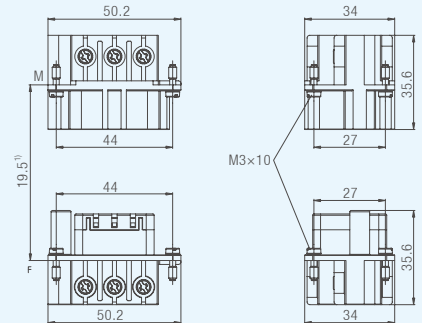
### Contacts













Material	Aldary
Surface treatment	silver plating
Contact resistance	$\leq 1m\Omega$
screw connector	
mm <sup>2</sup>	1.5-4mm <sup>2</sup> (The core wire must be crimped with the European terminal first)
AWG	16-12
Stripping Length	11mm
Tightening /detecting torque	1.2 N·m

Number of contacts









6 + PE

Shellsize : Matches the 6A/6B/6P Shell

Description	Type No.	Order No.		Drawing	Dimensions in mm
		Male insert	Female insert		
screw connector  	HDC-AOC6-M	112012001144		 <p>Maximum distance between connectors 21mm</p>	
	HDC-AOC6-F		112022001427		

No.	Sireis	Application	Type No.	Order No.
1	HD( $\Phi$ 1.6) series needle extractor 	10A Male contact	HDC-HD-CX	113030400143
		10A Female contact	HDC-HD-CX	113030400143
	Needle extractor removing head 	Accessories	HDC-HD-CX	114030300298
2	HE( $\Phi$ 2.5) series needle extractor 	16A Male contact	HDC-HE-CX	113030400142
		16A Female contact	HDC-HE-CX	113030400142
	Needle extractor removing head 	Accessories	HDC-HE-CX	114030300302
3	HMC( $\Phi$ 4) series needle extractor 	40A Male contact	HDC-HC-CX	113030400144
		40A Female contact	HDC-HC-CX	113030400144
	Needle extractor removing head 	Accessories	HDC-HC-CX	113030300306
4	HDsub( $\Phi$ 1) series needle extractor 	5A Male contact	HDC-DSUB9-CX	113030400145
		5A Female contact	HDC-DSUB9-CX	113030400145
	Needle extractor removing head 	Accessories	HDC-DSUB9-CX	114030300308
5	HM200( $\Phi$ 9.5) series needle extractor 	200A Male contact	HDC-HM200-CX	112980003652
		200A Female contact	HDC-HM200-CX	112980003652
	Needle extractor removing head 	Accessories	HDC-HM200-CX	114039803416
6	HM100( $\Phi$ 8) series needle extractor 	100A Male contact	HDC-HM2C100-CX	112980003651
		100A Female contact	HDC-HM2C100-CX	112980003651
	Needle extractor removing head 	Accessories	HDC-HM2C100-CX	114039803415

Shell / Series A  
Shell / Series B  
Shell / Series P  
Inserts / Series D  
Inserts / Series E  
Inserts / Series M  
Inserts / Series N  
Inserts / Series Q  
Inserts / Series K (Hybrid)  
Inserts / Series C  
Inserts / Anti-Open Circuit  
Accessory

No.	Sireis	Application	Type No.	Order No.
7	<p>Check back tool</p> 	D Sries (10A) Insert pins and jacks	HDC-HD-JT	113030400151
8	<p>Needle return tool</p> 	E Sries (16A) contact pin	HDC-HE-JT-M	113030400150
9	<p>Jack return tool</p> 	E Sries(16A) jack	HDC-HE-JT-F	113030400157
10	<p>Jack return tool</p> 	C Sries(40A) jack	HDC-HC-JT-F	113030400158
11	<p>Needle return tool</p> 	C Sries(40A) contact pin	HDC-HC-JT-M	113030400159
12	<p>Needle feed tool</p> 	D Sries(10A) ESries(16A)	HDC-HD/E-SZ	113030400156
13	<p>HDC-P6B inner sleeve Withdrawal tool</p> 	HDC-P6B		532990002292
14	<p>HDC-P module withdraw al tool</p> 	HDC-P module		532990002339

Shell / Series A

Shell / Series B

Shell / Series P

Inserts / Series D

Inserts / Series E

Inserts / Series M

Inserts / Series H

Inserts / Series Q

Inserts / Series K (Hyond)







Inserts / Series C

Inserts / Anti-Open Circuit

Accessory

No.	Series	Pressure connection diameter	Type No.	Order No.	Applications
1	5A 	0.14-0.75mm <sup>2</sup>	YJQ-YG07	531030672783	HDC-HM signal series (HM25/HM27/HMDB9/HMEMC2x8)
2	10A/16A 	0.34-4mm <sup>2</sup>	M22520/1-01(DMC)	531030600020	HD/HMD/HMEMC2x4/HMMB8/HE/HME insert
3	40A 	0.34-10mm <sup>2</sup>	KNIPLEX Four spindle crimping pliers (97 52 65)	531030600052	HDC-HMC insert(40)
4	70A/100A/200A 	6-120mm <sup>2</sup> It should be used with crimping tooling	EK60/22	531030600010	HDC-HMC insert (70/100/200) HC350 Series
			Order No.	Name	
531030600074	EK60/22 Hexagonal with point die 6mm <sup>2</sup>				
531030600075	EK60/22 Hexagonal with point die 10mm <sup>2</sup>				
531030600076	EK60/22 Hexagonal with point die 16mm <sup>2</sup>				
531030600077	EK60/22 Hexagonal with point die 25mm <sup>2</sup>				
531030600078	EK60/22 Hexagonal with point die 35mm <sup>2</sup>				
531030600079	EK60/22 Hexagonal with point die 50mm <sup>2</sup>				
531030600066	EK60/22 Hexagonal with point die 70mm <sup>2</sup>				
531030600067	EK60/22 Hexagonal with point die 95mm <sup>2</sup>				
531030600068	EK60/22 Hexagonal with point die 120mm <sup>2</sup>				
5	650A 	150-240mm <sup>2</sup> It should be used with crimping tooling	EK120/42L	531030600100	HC650 Series
			Order No.	Name	
531030600069	EK120/42 Hexagonal with point die 150mm <sup>2</sup>				
531030600070	EK120/42 Hexagonal with point die 185mm <sup>2</sup>				
531030600071	EK120/42 Hexagonal with point die 240mm <sup>2</sup>				



No.	Axial bolt	Tool		
		Name	Order No.	Picture
1	HDC-HK6/6-M/F	Hex wrench SW-4×100	531030500129	
2	HDC-HK8/0-M /F	Hex wrench SW-4×100	531030500129	
3	HDC-HQ2/0-M/F	Hex wrench SW-2×100	531030500126	
4	HDC-HM2C70-M/F	Hex wrench SW-2.5×100	531030500127	
5	HDC-HM2C100-M/F	Hex wrench SW-4×100	531030500129	
6	HDC-HM200-M/F	Hex wrench SW-5×100	531030500130	

Shell / Series A

Shell / Series B

Shell / Series P

Inserts / Series D

Inserts / Series E

Inserts / Series M

Inserts / Series H

Inserts / Series Q

Inserts / Series K (Hybrid)


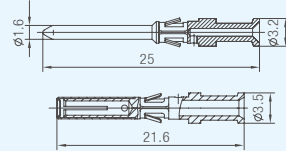


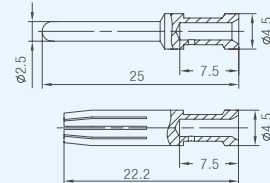


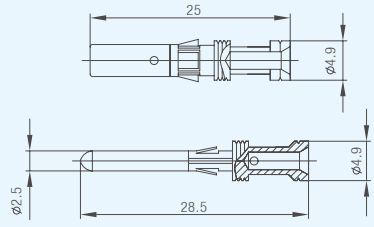

Inserts / Series C

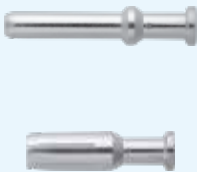
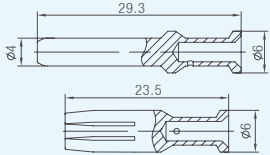
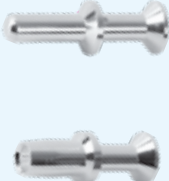
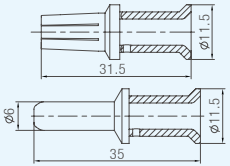
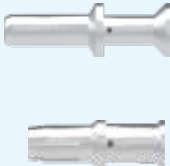
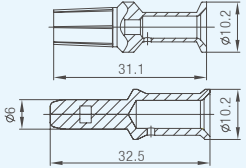

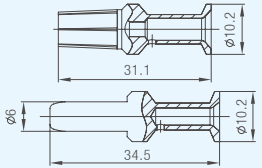
Inserts / Anti-Open Circuit

Accessory

序号	Description contact pairs	sectional area (mm <sup>2</sup> )	Order No.		Drawing	Dimensions in mm																		
			Male contact	Female contact																				
1		0.25-0.34mm <sup>2</sup>	114020502004	114021002533		<table border="1"> <thead> <tr> <th colspan="2">Wire gauges</th> <th>Stripping Length</th> </tr> </thead> <tbody> <tr> <td>0.25-0.34mm<sup>2</sup></td> <td>AWG28-22</td> <td>4mm</td> </tr> </tbody> </table>	Wire gauges		Stripping Length	0.25-0.34mm <sup>2</sup>	AWG28-22	4mm												
			Wire gauges				Stripping Length																	
0.25-0.34mm <sup>2</sup>	AWG28-22	4mm																						
2	5A Cold-pressed pinhole HDC-HD sub 25/M2x8 Series gold plating  	0.35	114020500411	114021000330		<table border="1"> <thead> <tr> <th colspan="2">Wire gauges</th> <th>Stripping Length</th> </tr> </thead> <tbody> <tr> <td>0.35mm<sup>2</sup></td> <td>AWG26-22</td> <td>4mm</td> </tr> <tr> <td>0.5mm<sup>2</sup></td> <td>AWG22-20</td> <td>4mm</td> </tr> <tr> <td>0.75mm<sup>2</sup></td> <td>AWG18</td> <td>4mm</td> </tr> </tbody> </table>	Wire gauges		Stripping Length	0.35mm <sup>2</sup>	AWG26-22	4mm	0.5mm <sup>2</sup>	AWG22-20	4mm	0.75mm <sup>2</sup>	AWG18	4mm						
		Wire gauges		Stripping Length																				
		0.35mm <sup>2</sup>	AWG26-22	4mm																				
0.5mm <sup>2</sup>	AWG22-20	4mm																						
0.75mm <sup>2</sup>	AWG18	4mm																						
0.5	114020500408	114021000328																						
0.75	114020500409	114021000329																						
3	10A Cold-pressed pinhole HDC-HD Series conical insert+cleaver gold plating  	0.5	113020100913	113020601218		<table border="1"> <thead> <tr> <th colspan="2">Wire gauges</th> <th>Stripping Length</th> </tr> </thead> <tbody> <tr> <td>0.5mm<sup>2</sup></td> <td>AWG20</td> <td>8mm</td> </tr> <tr> <td>0.75-1mm<sup>2</sup></td> <td>AWG18</td> <td>8mm</td> </tr> <tr> <td>1.5mm<sup>2</sup></td> <td>AWG16</td> <td>8mm</td> </tr> <tr> <td>2.5mm<sup>2</sup></td> <td>AWG14</td> <td>6mm</td> </tr> <tr> <td>0.14-0.37mm<sup>2</sup></td> <td>AWG26-22</td> <td>8mm</td> </tr> </tbody> </table>	Wire gauges		Stripping Length	0.5mm <sup>2</sup>	AWG20	8mm	0.75-1mm <sup>2</sup>	AWG18	8mm	1.5mm <sup>2</sup>	AWG16	8mm	2.5mm <sup>2</sup>	AWG14	6mm	0.14-0.37mm <sup>2</sup>	AWG26-22	8mm
		Wire gauges		Stripping Length																				
		0.5mm <sup>2</sup>	AWG20	8mm																				
		0.75-1mm <sup>2</sup>	AWG18	8mm																				
		1.5mm <sup>2</sup>	AWG16	8mm																				
2.5mm <sup>2</sup>	AWG14	6mm																						
0.14-0.37mm <sup>2</sup>	AWG26-22	8mm																						
0.75-1.0	113020100918	113020601325																						
1.5	113020100919	113020601323																						
2.5	113020100922	113020601327																						
0.14-0.37	113020100915	113020601318																						
4	10A Cold-pressed pinhole HDC-HD Series conicalinsert+cleaver silver plating  	0.5	113020100916	113020601321	<table border="1"> <thead> <tr> <th colspan="2">Wire gauges</th> <th>Stripping Length</th> </tr> </thead> <tbody> <tr> <td>0.5mm<sup>2</sup></td> <td>AWG20</td> <td>8mm</td> </tr> <tr> <td>0.75-1mm<sup>2</sup></td> <td>AWG18</td> <td>8mm</td> </tr> <tr> <td>1.5mm<sup>2</sup></td> <td>AWG16</td> <td>8mm</td> </tr> <tr> <td>2.5mm<sup>2</sup></td> <td>AWG14</td> <td>6mm</td> </tr> <tr> <td>0.14-0.37mm<sup>2</sup></td> <td>AWG26-22</td> <td>8mm</td> </tr> </tbody> </table>	Wire gauges		Stripping Length	0.5mm <sup>2</sup>	AWG20	8mm	0.75-1mm <sup>2</sup>	AWG18	8mm	1.5mm <sup>2</sup>	AWG16	8mm	2.5mm <sup>2</sup>	AWG14	6mm	0.14-0.37mm <sup>2</sup>	AWG26-22	8mm	
		Wire gauges		Stripping Length																				
		0.5mm <sup>2</sup>	AWG20	8mm																				
		0.75-1mm <sup>2</sup>	AWG18	8mm																				
		1.5mm <sup>2</sup>	AWG16	8mm																				
2.5mm <sup>2</sup>	AWG14	6mm																						
0.14-0.37mm <sup>2</sup>	AWG26-22	8mm																						
0.75-1.0	113020100811	113020601195																						
1.5	113020100920	113020601324																						
2.5	113020100813	113020601197																						
0.14-0.37	113020100812	113020601196																						
5	10A Cold-pressed pinhole HDC-HD Series Two pieces of gear sleeve+ cleaver gold plating  	0.5	115210010802	115310016102		<table border="1"> <thead> <tr> <th colspan="2">Wire gauges</th> <th>Stripping Length</th> </tr> </thead> <tbody> <tr> <td>0.5mm<sup>2</sup></td> <td>AWG20</td> <td>8mm</td> </tr> <tr> <td>0.75-1mm<sup>2</sup></td> <td>AWG18</td> <td>8mm</td> </tr> <tr> <td>1.5mm<sup>2</sup></td> <td>AWG16</td> <td>8mm</td> </tr> <tr> <td>2.5mm<sup>2</sup></td> <td>AWG14</td> <td>6mm</td> </tr> <tr> <td>0.14-0.37mm<sup>2</sup></td> <td>AWG26-22</td> <td>8mm</td> </tr> </tbody> </table>	Wire gauges		Stripping Length	0.5mm <sup>2</sup>	AWG20	8mm	0.75-1mm <sup>2</sup>	AWG18	8mm	1.5mm <sup>2</sup>	AWG16	8mm	2.5mm <sup>2</sup>	AWG14	6mm	0.14-0.37mm <sup>2</sup>	AWG26-22	8mm
		Wire gauges		Stripping Length																				
		0.5mm <sup>2</sup>	AWG20	8mm																				
		0.75-1mm <sup>2</sup>	AWG18	8mm																				
		1.5mm <sup>2</sup>	AWG16	8mm																				
2.5mm <sup>2</sup>	AWG14	6mm																						
0.14-0.37mm <sup>2</sup>	AWG26-22	8mm																						
0.75-1.0	115210010804	115310016104																						
1.5	115210010805	115310016105																						
2.5	115210010901	115310016106																						
0.14-0.37	115210010801	115310016101																						
6	10A Cold-pressed pinhole HDC-HD Series Two pieces of gearsleeve +cleaver silver plating  	0.5	115210010807	115310016108	<table border="1"> <thead> <tr> <th colspan="2">Wire gauges</th> <th>Stripping Length</th> </tr> </thead> <tbody> <tr> <td>0.5mm<sup>2</sup></td> <td>AWG20</td> <td>8mm</td> </tr> <tr> <td>0.75-1mm<sup>2</sup></td> <td>AWG18</td> <td>8mm</td> </tr> <tr> <td>1.5mm<sup>2</sup></td> <td>AWG16</td> <td>8mm</td> </tr> <tr> <td>2.5mm<sup>2</sup></td> <td>AWG14</td> <td>6mm</td> </tr> <tr> <td>0.14-0.37mm<sup>2</sup></td> <td>AWG26-22</td> <td>8mm</td> </tr> </tbody> </table>	Wire gauges		Stripping Length	0.5mm <sup>2</sup>	AWG20	8mm	0.75-1mm <sup>2</sup>	AWG18	8mm	1.5mm <sup>2</sup>	AWG16	8mm	2.5mm <sup>2</sup>	AWG14	6mm	0.14-0.37mm <sup>2</sup>	AWG26-22	8mm	
		Wire gauges		Stripping Length																				
		0.5mm <sup>2</sup>	AWG20	8mm																				
		0.75-1mm <sup>2</sup>	AWG18	8mm																				
		1.5mm <sup>2</sup>	AWG16	8mm																				
2.5mm <sup>2</sup>	AWG14	6mm																						
0.14-0.37mm <sup>2</sup>	AWG26-22	8mm																						
0.75-1.0	115210010809	115310016110																						
1.5	115210010810	115310016111																						
2.5	115210010902	115310016112																						
0.14-0.37	115210010806	115310016107																						

序号	Description contact pairs	sectional area (mm <sup>2</sup> )	Order No.		Drawing	Dimensions in mm																					
			Male contact	Female contact																							
7	10A Cold-pressed pinhole YGC-B15 Series Series Two pieces of gear sleeve + spring package gold plating Only applicable to HDN Series	0.14-0.37	115210001207	115310001307																							
		0.5	115210001208	115310001308																							
		0.75	115210001209	115310001309																							
		1.0	115210001210	115310001310																							
		1.5	115210001211	115310001311																							
		2.5	115210001212	115310001312																							
8	10A Cold-pressed pinhole YGC-B15 Series Two pieces of gear sleeve + spring package silver plating Only applicable to HDN Series	0.14-0.37	115210001201	115310001301	<table border="1"> <thead> <tr> <th>Wire gauges</th> <th colspan="2">Stripping Length</th> </tr> </thead> <tbody> <tr> <td>0.14-0.37mm<sup>2</sup></td> <td>AWG26-22</td> <td>7.0mm</td> </tr> <tr> <td>0.5mm<sup>2</sup></td> <td>AWG20</td> <td>7.0mm</td> </tr> <tr> <td>0.75mm<sup>2</sup></td> <td>AWG18</td> <td>7.0mm</td> </tr> <tr> <td>1.0mm<sup>2</sup></td> <td>AWG18</td> <td>7.0mm</td> </tr> <tr> <td>1.5mm<sup>2</sup></td> <td>AWG16</td> <td>7.0mm</td> </tr> <tr> <td>2.5mm<sup>2</sup></td> <td>AWG14</td> <td>7.0mm</td> </tr> </tbody> </table>	Wire gauges	Stripping Length		0.14-0.37mm <sup>2</sup>	AWG26-22	7.0mm	0.5mm <sup>2</sup>	AWG20	7.0mm	0.75mm <sup>2</sup>	AWG18	7.0mm	1.0mm <sup>2</sup>	AWG18	7.0mm	1.5mm <sup>2</sup>	AWG16	7.0mm	2.5mm <sup>2</sup>	AWG14	7.0mm	
		Wire gauges	Stripping Length																								
		0.14-0.37mm <sup>2</sup>	AWG26-22	7.0mm																							
		0.5mm <sup>2</sup>	AWG20	7.0mm																							
		0.75mm <sup>2</sup>	AWG18	7.0mm																							
		1.0mm <sup>2</sup>	AWG18	7.0mm																							
1.5mm <sup>2</sup>	AWG16	7.0mm																									
2.5mm <sup>2</sup>	AWG14	7.0mm																									
0.5	115210001202	115310001302																									
0.75	115210001203	115310001303																									
1.0	115210001204	115310001304																									
1.5	115210001205	115310001305																									
2.5	115210001206	115310001306																									
9	10A Cold-pressed pinhole HDC-HD series Two pieces of gear sleeve + spring package gold plating	0.5	115210010802	115310015702																							
		0.75-1.0	115210010804	115310015704																							
		1.5	115210010805	115310015705																							
		2.5	115210010901	115310015801																							
		0.14-0.37	115210010801	115310015701																							
10	10A Cold-pressed pinhole HDC-HD series Two pieces of gear sleeve + spring package silver plating	0.5	115210010807	115310015707	<table border="1"> <thead> <tr> <th>Wire gauges</th> <th colspan="2">Stripping Length</th> </tr> </thead> <tbody> <tr> <td>0.5mm<sup>2</sup></td> <td>AWG20</td> <td>8mm</td> </tr> <tr> <td>0.75-1mm<sup>2</sup></td> <td>AWG18</td> <td>8mm</td> </tr> <tr> <td>1.5mm<sup>2</sup></td> <td>AWG16</td> <td>8mm</td> </tr> <tr> <td>2.5mm<sup>2</sup></td> <td>AWG14</td> <td>6mm</td> </tr> <tr> <td>0.14-0.37mm<sup>2</sup></td> <td>AWG26-22</td> <td>8mm</td> </tr> </tbody> </table>	Wire gauges	Stripping Length		0.5mm <sup>2</sup>	AWG20	8mm	0.75-1mm <sup>2</sup>	AWG18	8mm	1.5mm <sup>2</sup>	AWG16	8mm	2.5mm <sup>2</sup>	AWG14	6mm	0.14-0.37mm <sup>2</sup>	AWG26-22	8mm				
		Wire gauges	Stripping Length																								
		0.5mm <sup>2</sup>	AWG20	8mm																							
		0.75-1mm <sup>2</sup>	AWG18	8mm																							
		1.5mm <sup>2</sup>	AWG16	8mm																							
2.5mm <sup>2</sup>	AWG14	6mm																									
0.14-0.37mm <sup>2</sup>	AWG26-22	8mm																									
0.75-1.0	115210010809	115310015709																									
1.5	115210010810	115310015710																									
2.5	115210010902	115310015802																									
0.14-0.37	115210010806	115310015706																									
11	10A Cold-pressed pinhole HDC HD series Taper gear sleeve+Ladle springs gold plating	0.5	113020100913	115310017302																							
		0.75-1.0	113020100918	115310017304																							
		1.5	113020100919	115310017305																							
		2.5	113020100922	115310017306																							
		0.14-0.37	113020100915	115310017301																							
12	Cold-pressed pinhole HDC HD series Taper gear sleeve + Ladle spring silver plating	0.5	113020100916	115310017308	<table border="1"> <thead> <tr> <th>Wire gauges</th> <th colspan="2">Stripping Length</th> </tr> </thead> <tbody> <tr> <td>0.5mm<sup>2</sup></td> <td>AWG20</td> <td>8mm</td> </tr> <tr> <td>0.75-1mm<sup>2</sup></td> <td>AWG18</td> <td>8mm</td> </tr> <tr> <td>1.5mm<sup>2</sup></td> <td>AWG16</td> <td>8mm</td> </tr> <tr> <td>2.5mm<sup>2</sup></td> <td>AWG14</td> <td>6mm</td> </tr> <tr> <td>0.14-0.37mm<sup>2</sup></td> <td>AWG26-22</td> <td>8mm</td> </tr> </tbody> </table>	Wire gauges	Stripping Length		0.5mm <sup>2</sup>	AWG20	8mm	0.75-1mm <sup>2</sup>	AWG18	8mm	1.5mm <sup>2</sup>	AWG16	8mm	2.5mm <sup>2</sup>	AWG14	6mm	0.14-0.37mm <sup>2</sup>	AWG26-22	8mm				
		Wire gauges	Stripping Length																								
		0.5mm <sup>2</sup>	AWG20	8mm																							
		0.75-1mm <sup>2</sup>	AWG18	8mm																							
		1.5mm <sup>2</sup>	AWG16	8mm																							
2.5mm <sup>2</sup>	AWG14	6mm																									
0.14-0.37mm <sup>2</sup>	AWG26-22	8mm																									
0.75-1.0	113020100811	115310017310																									
1.5	113020100920	115310017311																									
2.5	113020100813	115310017312																									
0.14-0.37	113020100812	115310017307																									


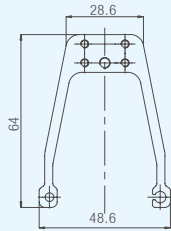
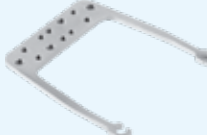
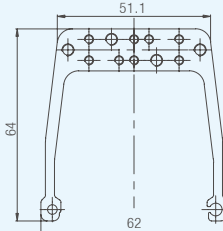
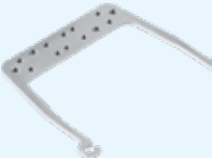
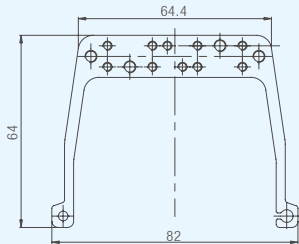

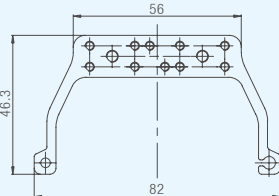
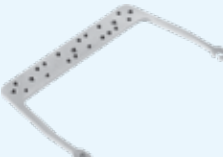
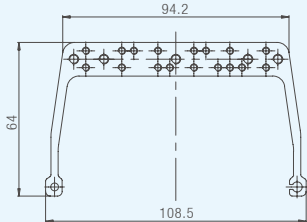

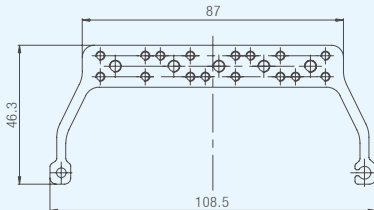
序号	Description contact pairs	sectional area (mm <sup>2</sup> )	Order No.		Drawing	Dimensions in mm																								
			Male contact	Female contact																										
13	10A Cold-pressed pinhole HDC-HD series Two pieces of gear sleeve+ cleaver+drivepipe gold plating 	0.5	115210010802	115310019502																										
		0.75-1.0	115210010804	115310019503																										
		1.5	115210010805	115310019504																										
		2.5	115210010901	115310019505																										
		0.14-0.37	115210010801	115310019501																										
14	10A Cold-pressed pinhole HDC-HD series Two pieces of gear sleeve+ cleaver+drivepipe silver plating 	0.5	115210010807	115310019507	<table border="1"> <thead> <tr> <th colspan="2">Wire gauges</th> <th>Stripping Length</th> </tr> </thead> <tbody> <tr> <td>0.5mm<sup>2</sup></td> <td>AWG20</td> <td>8mm</td> </tr> <tr> <td>0.75-1mm<sup>2</sup></td> <td>AWG18</td> <td>8mm</td> </tr> <tr> <td>1.5mm<sup>2</sup></td> <td>AWG16</td> <td>8mm</td> </tr> <tr> <td>2.5mm<sup>2</sup></td> <td>AWG14</td> <td>6mm</td> </tr> <tr> <td>0.14-0.37mm<sup>2</sup></td> <td>AWG26-22</td> <td>8mm</td> </tr> </tbody> </table>	Wire gauges		Stripping Length	0.5mm <sup>2</sup>	AWG20	8mm	0.75-1mm <sup>2</sup>	AWG18	8mm	1.5mm <sup>2</sup>	AWG16	8mm	2.5mm <sup>2</sup>	AWG14	6mm	0.14-0.37mm <sup>2</sup>	AWG26-22	8mm							
		Wire gauges		Stripping Length																										
		0.5mm <sup>2</sup>	AWG20	8mm																										
		0.75-1mm <sup>2</sup>	AWG18	8mm																										
		1.5mm <sup>2</sup>	AWG16	8mm																										
2.5mm <sup>2</sup>	AWG14	6mm																												
0.14-0.37mm <sup>2</sup>	AWG26-22	8mm																												
0.75-1.0	115210010809	115310019508																												
1.5	115210010810	115310019509																												
2.5	115210010902	115310019510																												
0.14-0.37	115210010806	115310019506																												
15	16A Cold-pressed pinhole HDC-HE series gold plating 	0.14-0.37	114020501613	114021001576																										
		0.5	114020501612	114021001577																										
		0.75-1.0	114020501610	114021001582																										
		1.5	114020501620	114021001591																										
		2.5	114020501618	114021001590																										
16	16A Cold-pressed pinhole HDC-HE series silver plating 	0.14-0.37	114020501621	114021001592	<table border="1"> <thead> <tr> <th colspan="2">Wire gauges</th> <th>Stripping Length</th> </tr> </thead> <tbody> <tr> <td>0.5mm<sup>2</sup></td> <td>AWG20</td> <td>7.5mm</td> </tr> <tr> <td>0.75mm<sup>2</sup></td> <td>AWG18</td> <td>7.5mm</td> </tr> <tr> <td>1mm<sup>2</sup></td> <td>AWG18</td> <td>7.5mm</td> </tr> <tr> <td>1.5mm<sup>2</sup></td> <td>AWG16</td> <td>7.5mm</td> </tr> <tr> <td>2.5mm<sup>2</sup></td> <td>AWG14</td> <td>7.5mm</td> </tr> <tr> <td>4mm<sup>2</sup></td> <td>AWG12</td> <td>7.5mm</td> </tr> <tr> <td>0.14-0.37mm<sup>2</sup></td> <td>AWG26-22</td> <td>7.5mm</td> </tr> </tbody> </table>	Wire gauges		Stripping Length	0.5mm <sup>2</sup>	AWG20	7.5mm	0.75mm <sup>2</sup>	AWG18	7.5mm	1mm <sup>2</sup>	AWG18	7.5mm	1.5mm <sup>2</sup>	AWG16	7.5mm	2.5mm <sup>2</sup>	AWG14	7.5mm	4mm <sup>2</sup>	AWG12	7.5mm	0.14-0.37mm <sup>2</sup>	AWG26-22	7.5mm	
		Wire gauges		Stripping Length																										
		0.5mm <sup>2</sup>	AWG20	7.5mm																										
		0.75mm <sup>2</sup>	AWG18	7.5mm																										
		1mm <sup>2</sup>	AWG18	7.5mm																										
1.5mm <sup>2</sup>	AWG16	7.5mm																												
2.5mm <sup>2</sup>	AWG14	7.5mm																												
4mm <sup>2</sup>	AWG12	7.5mm																												
0.14-0.37mm <sup>2</sup>	AWG26-22	7.5mm																												
0.5	114020501622	114021001593																												
0.75-1.0	114020501624	114021001595																												
1.5	114020501576	114021001550																												
2.5	114020501560	114021001533																												
17	16A Cold-pressed pinhole YGC-A10E Series Two pieces of gear sleeve + spring package gold plating Only applicable to HEN Series 	0.14-0.37	115210000714	115310005107																										
		0.5	115210000708	115310005101																										
		0.7	115210000709	115310005102																										
		1.0	115210000710	115310005103																										
		1.5	115210000711	115310005104																										
18	16A Cold-pressed pinhole YGC-A10E Series Two pieces of gear sleeve + spring package silver plating Only applicable to HEN Series 	0.14-0.37	115210000707	115310001007	<table border="1"> <thead> <tr> <th colspan="2">Wire gauges</th> <th>Stripping Length</th> </tr> </thead> <tbody> <tr> <td>0.14-0.37mm<sup>2</sup></td> <td>AWG26-22</td> <td>7.5mm</td> </tr> <tr> <td>0.5mm<sup>2</sup></td> <td>AWG20</td> <td>7.5mm</td> </tr> <tr> <td>0.75mm<sup>2</sup></td> <td>AWG18</td> <td>7.5mm</td> </tr> <tr> <td>1.0mm<sup>2</sup></td> <td>AWG18</td> <td>7.5mm</td> </tr> <tr> <td>1.5mm<sup>2</sup></td> <td>AWG16</td> <td>7.5mm</td> </tr> <tr> <td>2.5mm<sup>2</sup></td> <td>AWG14</td> <td>7.5mm</td> </tr> <tr> <td>4.0mm<sup>2</sup></td> <td>AWG12</td> <td>7.5mm</td> </tr> </tbody> </table>	Wire gauges		Stripping Length	0.14-0.37mm <sup>2</sup>	AWG26-22	7.5mm	0.5mm <sup>2</sup>	AWG20	7.5mm	0.75mm <sup>2</sup>	AWG18	7.5mm	1.0mm <sup>2</sup>	AWG18	7.5mm	1.5mm <sup>2</sup>	AWG16	7.5mm	2.5mm <sup>2</sup>	AWG14	7.5mm	4.0mm <sup>2</sup>	AWG12	7.5mm	
		Wire gauges		Stripping Length																										
		0.14-0.37mm <sup>2</sup>	AWG26-22	7.5mm																										
		0.5mm <sup>2</sup>	AWG20	7.5mm																										
		0.75mm <sup>2</sup>	AWG18	7.5mm																										
		1.0mm <sup>2</sup>	AWG18	7.5mm																										
1.5mm <sup>2</sup>	AWG16	7.5mm																												
2.5mm <sup>2</sup>	AWG14	7.5mm																												
4.0mm <sup>2</sup>	AWG12	7.5mm																												
0.5	115210000701	115310001001																												
0.7	115210000702	115310001002																												
1.0	115210000703	115310001003																												
1.5	115210000704	115310001004																												
2.5m	115210000705	115310001005																												
4.0	115210000706	115310001006																												

序号	Description contact pairs	sectional area (mm <sup>2</sup> )	Order No.		Drawing	Dimensions in mm																		
			Male contact	Female contact																				
19	40A Cold-pressed pinhole HDC-HMC series 	1.5	114020501230	114021001146	 <table border="1"> <thead> <tr> <th colspan="2">Wire gauges</th> <th>Stripping Length</th> </tr> </thead> <tbody> <tr> <td>1.5mm<sup>2</sup></td> <td>AWG16</td> <td>9mm</td> </tr> <tr> <td>2.5mm<sup>2</sup></td> <td>AWG14</td> <td>9mm</td> </tr> <tr> <td>4mm<sup>2</sup></td> <td>AWG12</td> <td>9mm</td> </tr> <tr> <td>6mm<sup>2</sup></td> <td>AWG10</td> <td>10mm</td> </tr> <tr> <td>10mm<sup>2</sup></td> <td>AWG8</td> <td>12mm</td> </tr> </tbody> </table>	Wire gauges		Stripping Length	1.5mm <sup>2</sup>	AWG16	9mm	2.5mm <sup>2</sup>	AWG14	9mm	4mm <sup>2</sup>	AWG12	9mm	6mm <sup>2</sup>	AWG10	10mm	10mm <sup>2</sup>	AWG8	12mm	
		Wire gauges		Stripping Length																				
		1.5mm <sup>2</sup>	AWG16	9mm																				
		2.5mm <sup>2</sup>	AWG14	9mm																				
		4mm <sup>2</sup>	AWG12	9mm																				
6mm <sup>2</sup>	AWG10	10mm																						
10mm <sup>2</sup>	AWG8	12mm																						
2.5	114020501229	114021001145																						
4	114020501228	114021001144																						
6	114020501227	114021001141																						
10	114020501363	114021001312																						
20	70A Cold-pressed pinhole HDC-HM2C70 Series silver plating 	6	114020502320	114021002301	 <table border="1"> <thead> <tr> <th colspan="2">Wire gauges</th> <th>Stripping Length</th> </tr> </thead> <tbody> <tr> <td>6mm<sup>2</sup></td> <td>AWG10</td> <td>15.5mm</td> </tr> <tr> <td>10mm<sup>2</sup></td> <td>AWG8</td> <td>15.5mm</td> </tr> <tr> <td>16mm<sup>2</sup></td> <td>AWG5</td> <td>15.5mm</td> </tr> <tr> <td>25mm<sup>2</sup></td> <td>AWG3</td> <td>15.5mm</td> </tr> </tbody> </table>	Wire gauges		Stripping Length	6mm <sup>2</sup>	AWG10	15.5mm	10mm <sup>2</sup>	AWG8	15.5mm	16mm <sup>2</sup>	AWG5	15.5mm	25mm <sup>2</sup>	AWG3	15.5mm				
		Wire gauges		Stripping Length																				
		6mm <sup>2</sup>	AWG10	15.5mm																				
		10mm <sup>2</sup>	AWG8	15.5mm																				
16mm <sup>2</sup>	AWG5	15.5mm																						
25mm <sup>2</sup>	AWG3	15.5mm																						
10	114020502118	114021002106																						
16	114020502119	114021002107																						
25	114020502120	114021002108																						
21	70A Cold-pressed pinhole HDC-HK4/4 Series silver plating 	6	115260018501	115360019201	 <table border="1"> <thead> <tr> <th colspan="2">Wire gauges</th> <th>Stripping Length</th> </tr> </thead> <tbody> <tr> <td>6mm<sup>2</sup></td> <td>AWG10</td> <td>15.5mm</td> </tr> <tr> <td>10mm<sup>2</sup></td> <td>AWG8</td> <td>15.5mm</td> </tr> <tr> <td>25mm<sup>2</sup></td> <td>AWG3</td> <td>15.5mm</td> </tr> <tr> <td>35mm<sup>2</sup></td> <td>AWG2</td> <td>15.5mm</td> </tr> </tbody> </table>	Wire gauges		Stripping Length	6mm <sup>2</sup>	AWG10	15.5mm	10mm <sup>2</sup>	AWG8	15.5mm	25mm <sup>2</sup>	AWG3	15.5mm	35mm <sup>2</sup>	AWG2	15.5mm				
		Wire gauges		Stripping Length																				
		6mm <sup>2</sup>	AWG10	15.5mm																				
		10mm <sup>2</sup>	AWG8	15.5mm																				
25mm <sup>2</sup>	AWG3	15.5mm																						
35mm <sup>2</sup>	AWG2	15.5mm																						
10	115260018502	115360019202																						
25	115260018503	115360019203																						
35	114020502693	114021002641																						
22	70A Cold-pressed pinhole (PE) HDC-HK4/4 Series silver plating 	6	115260018701	115360019301	 <table border="1"> <thead> <tr> <th colspan="2">Wire gauges</th> <th>Stripping Length</th> </tr> </thead> <tbody> <tr> <td>6mm<sup>2</sup></td> <td>AWG10</td> <td>15.5mm</td> </tr> <tr> <td>10mm<sup>2</sup></td> <td>AWG8</td> <td>15.5mm</td> </tr> <tr> <td>25mm<sup>2</sup></td> <td>AWG3</td> <td>15.5mm</td> </tr> <tr> <td>35mm<sup>2</sup></td> <td>AWG2</td> <td>15.5mm</td> </tr> </tbody> </table>	Wire gauges		Stripping Length	6mm <sup>2</sup>	AWG10	15.5mm	10mm <sup>2</sup>	AWG8	15.5mm	25mm <sup>2</sup>	AWG3	15.5mm	35mm <sup>2</sup>	AWG2	15.5mm				
		Wire gauges		Stripping Length																				
		6mm <sup>2</sup>	AWG10	15.5mm																				
		10mm <sup>2</sup>	AWG8	15.5mm																				
25mm <sup>2</sup>	AWG3	15.5mm																						
35mm <sup>2</sup>	AWG2	15.5mm																						
10	115260018702	115360019302																						
25	115260018703	115360019303																						
35	114020502694	114021002642																						


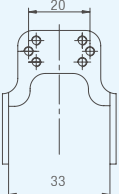

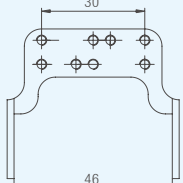

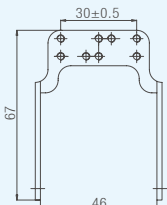

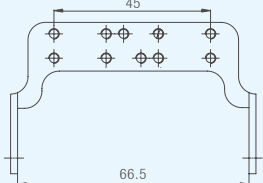

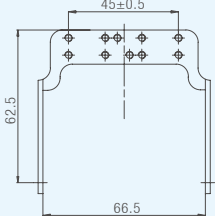

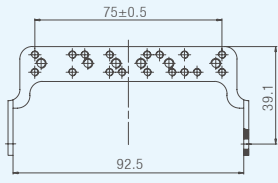

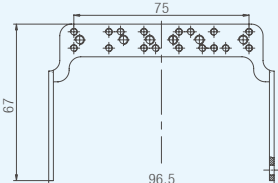
Shell / Series A  
Shell / Series B  
Shell / Series P  
Housing / Series D  
Inserts / Series E  
Inserts / Series M  
Inserts / Series H  
Inserts / Series Q  
Inserts / Series K (Hybrid)  
Inserts / Series C  
Inserts / Anti-Open Circuit  
Accessory

序号	Description contact pairs	sectional area (mm <sup>2</sup> )	Order No.		Drawing	Dimensions in mm																								
			Male contact	Female contact																										
23	100A Cold-pressed pinhole HDC-HM100 series silver plating	6	114020502321	114021002302		<table border="1"> <thead> <tr> <th colspan="2">Wire gauges</th> <th>Stripping Length</th> </tr> </thead> <tbody> <tr> <td>6mm<sup>2</sup></td> <td>AWG10</td> <td>20mm</td> </tr> <tr> <td>10mm<sup>2</sup></td> <td>AWG8</td> <td>20mm</td> </tr> <tr> <td>16mm<sup>2</sup></td> <td>AWG5</td> <td>20mm</td> </tr> <tr> <td>25mm<sup>2</sup></td> <td>AWG3</td> <td>20mm</td> </tr> <tr> <td>35mm<sup>2</sup></td> <td>AWG2</td> <td>20mm</td> </tr> </tbody> </table>	Wire gauges		Stripping Length	6mm <sup>2</sup>	AWG10	20mm	10mm <sup>2</sup>	AWG8	20mm	16mm <sup>2</sup>	AWG5	20mm	25mm <sup>2</sup>	AWG3	20mm	35mm <sup>2</sup>	AWG2	20mm						
		Wire gauges		Stripping Length																										
		6mm <sup>2</sup>	AWG10	20mm																										
		10mm <sup>2</sup>	AWG8	20mm																										
		16mm <sup>2</sup>	AWG5	20mm																										
25mm <sup>2</sup>	AWG3	20mm																												
35mm <sup>2</sup>	AWG2	20mm																												
10	114020502112	114021002102																												
16	114020502113	114021002103																												
25	114020502114	114021002104																												
35	114020502115	114021002105																												
24	100A Cold-pressed pinhole HDC-HM100 series cleaver+steel hoop	6	114020502618	114021002403		<table border="1"> <thead> <tr> <th colspan="2">Wire gauges</th> <th>Stripping Length</th> </tr> </thead> <tbody> <tr> <td>6mm<sup>2</sup></td> <td>AWG10</td> <td>20mm</td> </tr> <tr> <td>10mm<sup>2</sup></td> <td>AWG8</td> <td>20mm</td> </tr> <tr> <td>16mm<sup>2</sup></td> <td>AWG5</td> <td>20mm</td> </tr> <tr> <td>25mm<sup>2</sup></td> <td>AWG3</td> <td>20mm</td> </tr> <tr> <td>35mm<sup>2</sup></td> <td>AWG2</td> <td>20mm</td> </tr> </tbody> </table>	Wire gauges		Stripping Length	6mm <sup>2</sup>	AWG10	20mm	10mm <sup>2</sup>	AWG8	20mm	16mm <sup>2</sup>	AWG5	20mm	25mm <sup>2</sup>	AWG3	20mm	35mm <sup>2</sup>	AWG2	20mm						
		Wire gauges		Stripping Length																										
		6mm <sup>2</sup>	AWG10	20mm																										
		10mm <sup>2</sup>	AWG8	20mm																										
		16mm <sup>2</sup>	AWG5	20mm																										
25mm <sup>2</sup>	AWG3	20mm																												
35mm <sup>2</sup>	AWG2	20mm																												
10	114020502619	114021002404																												
16	114020502620	114021002405																												
25	114020502621	114021002412																												
35	114020502622	114021002406																												
25	200A Cold-pressed pin HDC-HM200 series silver plating	16	114020502524	114021002519		<table border="1"> <thead> <tr> <th>Conductor crosssectional area</th> <th>L1</th> <th>L2</th> <th>Stripping Length</th> </tr> </thead> <tbody> <tr> <td>16mm<sup>2</sup></td> <td>46mm</td> <td>43mm</td> <td>20mm</td> </tr> <tr> <td>25mm<sup>2</sup></td> <td>46mm</td> <td>43mm</td> <td>20mm</td> </tr> <tr> <td>35mm<sup>2</sup></td> <td>46mm</td> <td>43mm</td> <td>20mm</td> </tr> <tr> <td>50mm<sup>2</sup></td> <td>49mm</td> <td>46mm</td> <td>23mm</td> </tr> <tr> <td>70mm<sup>2</sup></td> <td>49mm</td> <td>46mm</td> <td>23mm</td> </tr> </tbody> </table>	Conductor crosssectional area	L1	L2	Stripping Length	16mm <sup>2</sup>	46mm	43mm	20mm	25mm <sup>2</sup>	46mm	43mm	20mm	35mm <sup>2</sup>	46mm	43mm	20mm	50mm <sup>2</sup>	49mm	46mm	23mm	70mm <sup>2</sup>	49mm	46mm	23mm
		Conductor crosssectional area	L1	L2			Stripping Length																							
		16mm <sup>2</sup>	46mm	43mm			20mm																							
		25mm <sup>2</sup>	46mm	43mm			20mm																							
		35mm <sup>2</sup>	46mm	43mm			20mm																							
50mm <sup>2</sup>	49mm	46mm	23mm																											
70mm <sup>2</sup>	49mm	46mm	23mm																											
25	114020502677	114021002625																												
35	114020502173	114021002162																												
50	114020502174	114021002163																												
70	114020502175	114021002164																												

序号	Description contact pairs	sectional area (mm <sup>2</sup> )	Order No.		Drawing	Dimensions in mm																																
			Male contact	Female contact																																		
26	200A Cold-pressed pin HDC-HC200 series cleaver+steel hoop silver plating	25	114020502617	114021002401																																		
		35	114020502614	114021002400																																		
		50	114020502615	114021002413																																		
		70	114020502616	114021002402																																		
					<table border="1"> <thead> <tr> <th>Conductor cross-sectional area</th> <th>L1</th> <th>L2</th> <th>Stripping Length</th> </tr> </thead> <tbody> <tr> <td>25mm<sup>2</sup></td> <td>46mm</td> <td>43mm</td> <td>20mm</td> </tr> <tr> <td>35mm<sup>2</sup></td> <td>46mm</td> <td>43mm</td> <td>20mm</td> </tr> <tr> <td>50mm<sup>2</sup></td> <td>49mm</td> <td>46mm</td> <td>23mm</td> </tr> <tr> <td>70mm<sup>2</sup></td> <td>49mm</td> <td>46mm</td> <td>23mm</td> </tr> </tbody> </table>	Conductor cross-sectional area	L1	L2	Stripping Length	25mm <sup>2</sup>	46mm	43mm	20mm	35mm <sup>2</sup>	46mm	43mm	20mm	50mm <sup>2</sup>	49mm	46mm	23mm	70mm <sup>2</sup>	49mm	46mm	23mm													
Conductor cross-sectional area	L1	L2	Stripping Length																																			
25mm <sup>2</sup>	46mm	43mm	20mm																																			
35mm <sup>2</sup>	46mm	43mm	20mm																																			
50mm <sup>2</sup>	49mm	46mm	23mm																																			
70mm <sup>2</sup>	49mm	46mm	23mm																																			
27	350A Cold-pressed pin HDC-HC350 series silver plating	4	115260017601	115310017801																																		
		6	115260017602	115310017802																																		
		10	115260017603	115310017803																																		
		16	115260017604	115310017804																																		
		25	115260017605	115310017805																																		
		35	115260014501	115310014501																																		
		50	115260014502	115310014502																																		
		70	115260014503	115310014503																																		
		95	115260014504	115310014504																																		
		120	115260014505	115310014505																																		
					<table border="1"> <thead> <tr> <th>Wire gauges</th> <th>D</th> <th>Stripping Length</th> </tr> </thead> <tbody> <tr> <td>4mm<sup>2</sup></td> <td>2.8</td> <td>10mm</td> </tr> <tr> <td>6mm<sup>2</sup></td> <td>3.5</td> <td>10mm</td> </tr> <tr> <td>10mm<sup>2</sup></td> <td>4.5</td> <td>15mm</td> </tr> <tr> <td>16mm<sup>2</sup></td> <td>5.7</td> <td>15mm</td> </tr> <tr> <td>25mm<sup>2</sup></td> <td>7.2</td> <td>15mm</td> </tr> <tr> <td>35mm<sup>2</sup></td> <td>8.4</td> <td>27mm</td> </tr> <tr> <td>50mm<sup>2</sup></td> <td>10.2</td> <td>27mm</td> </tr> <tr> <td>70mm<sup>2</sup></td> <td>11.7</td> <td>27mm</td> </tr> <tr> <td>95mm<sup>2</sup></td> <td>13.7</td> <td>27mm</td> </tr> <tr> <td>120mm<sup>2</sup></td> <td>15.7</td> <td>27mm</td> </tr> </tbody> </table>	Wire gauges	D	Stripping Length	4mm <sup>2</sup>	2.8	10mm	6mm <sup>2</sup>	3.5	10mm	10mm <sup>2</sup>	4.5	15mm	16mm <sup>2</sup>	5.7	15mm	25mm <sup>2</sup>	7.2	15mm	35mm <sup>2</sup>	8.4	27mm	50mm <sup>2</sup>	10.2	27mm	70mm <sup>2</sup>	11.7	27mm	95mm <sup>2</sup>	13.7	27mm	120mm <sup>2</sup>	15.7	27mm
Wire gauges	D	Stripping Length																																				
4mm <sup>2</sup>	2.8	10mm																																				
6mm <sup>2</sup>	3.5	10mm																																				
10mm <sup>2</sup>	4.5	15mm																																				
16mm <sup>2</sup>	5.7	15mm																																				
25mm <sup>2</sup>	7.2	15mm																																				
35mm <sup>2</sup>	8.4	27mm																																				
50mm <sup>2</sup>	10.2	27mm																																				
70mm <sup>2</sup>	11.7	27mm																																				
95mm <sup>2</sup>	13.7	27mm																																				
120mm <sup>2</sup>	15.7	27mm																																				
28	650A Cold-pressed pin HDC-HC650 series silver plating	25	115260017701	115310017901																																		
		35	115260017702	115310017902																																		
		50	115260017703	115310017903																																		
		70	115260014601	115310014601																																		
		95	115260014602	115310014602																																		
		120	115260014603	115310014603																																		
		150	115260014604	115310014604																																		
		185	115260014605	115310014605																																		
240	115260014606	115310014606																																				
					<table border="1"> <thead> <tr> <th>Wire gauges</th> <th>A</th> <th>B</th> <th>L1</th> <th>L2</th> <th>Stripping Length</th> </tr> </thead> <tbody> <tr> <td>25mm<sup>2</sup></td> <td>7.2</td> <td>10</td> <td>66</td> <td>53</td> <td>15mm</td> </tr> <tr> <td>35mm<sup>2</sup></td> <td>8.4</td> <td>12.5</td> <td>66</td> <td>53</td> <td>15mm</td> </tr> <tr> <td>50mm<sup>2</sup></td> <td>10.2</td> <td>14.5</td> <td>71</td> <td>59</td> <td>20mm</td> </tr> </tbody> </table>	Wire gauges	A	B	L1	L2	Stripping Length	25mm <sup>2</sup>	7.2	10	66	53	15mm	35mm <sup>2</sup>	8.4	12.5	66	53	15mm	50mm <sup>2</sup>	10.2	14.5	71	59	20mm									
Wire gauges	A	B	L1	L2	Stripping Length																																	
25mm <sup>2</sup>	7.2	10	66	53	15mm																																	
35mm <sup>2</sup>	8.4	12.5	66	53	15mm																																	
50mm <sup>2</sup>	10.2	14.5	71	59	20mm																																	
					<table border="1"> <thead> <tr> <th>Wire gauges</th> <th>A</th> <th>B</th> <th>Stripping Length</th> </tr> </thead> <tbody> <tr> <td>70mm<sup>2</sup></td> <td>11.7</td> <td>16.5</td> <td>32mm</td> </tr> <tr> <td>95mm<sup>2</sup></td> <td>13.7</td> <td>19</td> <td>32mm</td> </tr> <tr> <td>120mm<sup>2</sup></td> <td>15.7</td> <td>21</td> <td>32mm</td> </tr> <tr> <td>150mm<sup>2</sup></td> <td>17.2</td> <td>23.5</td> <td>32mm</td> </tr> <tr> <td>185mm<sup>2</sup></td> <td>19.3</td> <td>25.5</td> <td>32mm</td> </tr> <tr> <td>240mm<sup>2</sup></td> <td>21.8</td> <td>29</td> <td>32mm</td> </tr> </tbody> </table>	Wire gauges	A	B	Stripping Length	70mm <sup>2</sup>	11.7	16.5	32mm	95mm <sup>2</sup>	13.7	19	32mm	120mm <sup>2</sup>	15.7	21	32mm	150mm <sup>2</sup>	17.2	23.5	32mm	185mm <sup>2</sup>	19.3	25.5	32mm	240mm <sup>2</sup>	21.8	29	32mm					
Wire gauges	A	B	Stripping Length																																			
70mm <sup>2</sup>	11.7	16.5	32mm																																			
95mm <sup>2</sup>	13.7	19	32mm																																			
120mm <sup>2</sup>	15.7	21	32mm																																			
150mm <sup>2</sup>	17.2	23.5	32mm																																			
185mm <sup>2</sup>	19.3	25.5	32mm																																			
240mm <sup>2</sup>	21.8	29	32mm																																			

Description	Type No.	Order No.	Drawing Dimensions in mm
	HDC-HM-6B	112980003671	
	HDC-HM-10B	112980003672	
	HDC-HM-16B	112980003674	
	HDC-HM-16B	112980003673	
	HDC-HM-24B	112980003676	
	HDC-HM-24B	112980003675	



Description	Type No.	Order No.	Drawing Dimensions in mm
	HDC-HD-6B	114039803390	
	HDC-HD-10B	114039803391	
	HDC-HD-10B	114039803394	
	HDC-HD-16B	114039803395	
	HDC-HD-16B	114039803396	
	HDC-HD-24B	114039803397	
	HDC-HD-24B	114039803398	

Shell / Series A

Shell / Series B

Shell / Series P

Inserts / Series D

Inserts / Series E

Inserts / Series M

Inserts / Series H

Inserts / Series Q

Inserts / Series K (Hybrid)


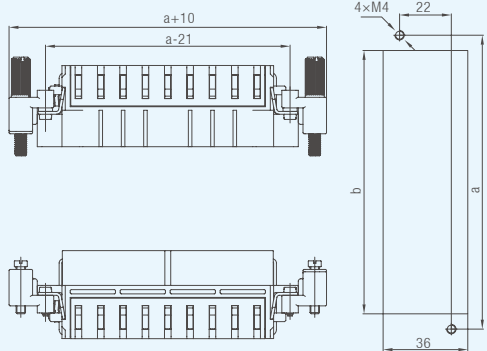
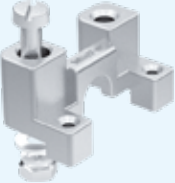
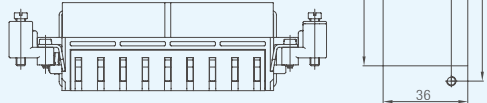

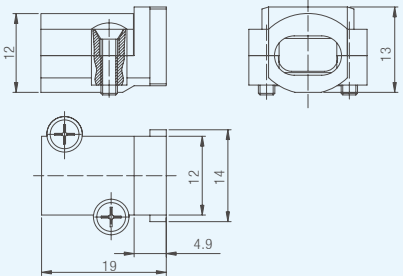

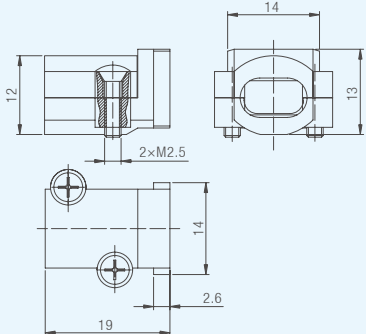
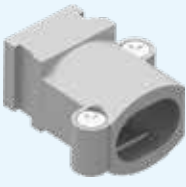
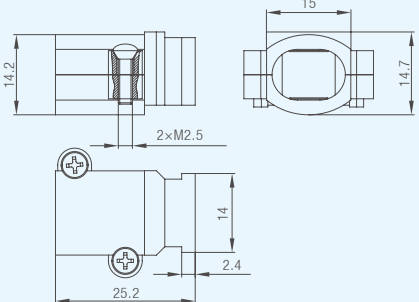
Inserts / Series C


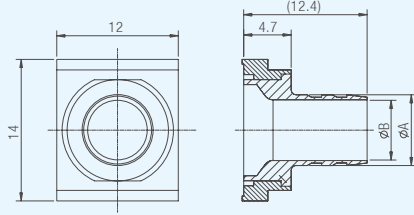

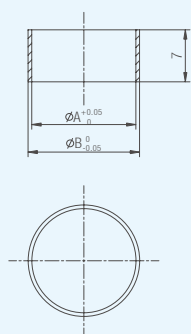
Inserts / Anti-Open Circuit

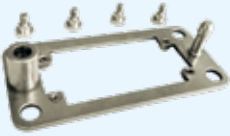
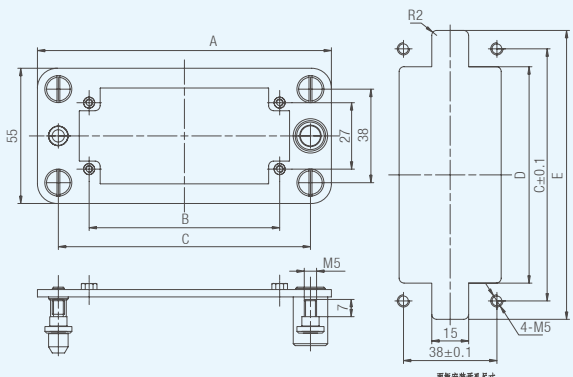
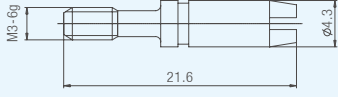
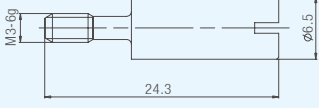

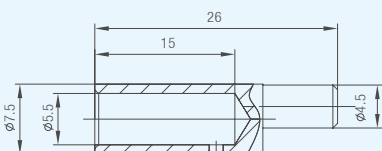
Accessory

Description	Type No.	Order No.	Drawing Dimensions in mm
		114039803402	
		114039803403	
		114039803404	
		114039803405	
		114039803406	
		114039803407	
		114039803408	
		114039803409	

Shell / Series A  
Shell / Series B  
Shell / Series P  
Inserts / Series D  
Inserts / Series E  
Inserts / Series H  
Inserts / Series M  
Inserts / Series N  
Inserts / Series Q  
Inserts / Series K (Hybrid)  
Inserts / Series C  
Inserts / Anti-Open Circuit  
Accessory

Description	Type No.	Order No.	Drawing	Dimensions in mm															
Movable member assembly 	YG5601-HD	114049800149																	
Fastener group 	YG5603-GD	114049800148		<table border="1"> <thead> <tr> <th>size</th> <th>a</th> <th>b</th> </tr> </thead> <tbody> <tr> <td>6B</td> <td>65</td> <td>52</td> </tr> <tr> <td>10B</td> <td>78</td> <td>65</td> </tr> <tr> <td>16B</td> <td>98.5</td> <td>85.5</td> </tr> <tr> <td>24B</td> <td>125</td> <td>112</td> </tr> </tbody> </table>	size	a	b	6B	65	52	10B	78	65	16B	98.5	85.5	24B	125	112
size	a	b																	
6B	65	52																	
10B	78	65																	
16B	98.5	85.5																	
24B	125	112																	
Cable clamp assembly Wire Range $\phi 5-7$ 	D-SUB 9PIN	113049800061																	
Cable clamp assembly Wire Range $\phi 7-10$ 	D-SUB-3900	113049800017																	
Cable clamp assembly Wire Range $\phi 9-12$ 	YG196-00-39-00A	113049800028																	

Description	Type No.	Order No.	Drawing	Dimensions in mm
 <p>D-SUB 9PIN tail-hood</p>	$\Phi 7 \times \Phi 5.9$	113012100047		
	$\Phi 6.1 \times \Phi 5$	113012100048		
	$\Phi 7.5 \times \Phi 6.5$	113012100049		
	$\Phi 9.1 \times \Phi 8$	113049800019		
	$\Phi 4 \times \Phi 3$	113049800020		
	$\Phi 4.5 \times \Phi 3.5$	113049800021		
	$\Phi 5 \times \Phi 4$	113049800022		
	$\Phi 6.5 \times \Phi 5.5$	113049800023		
	$\Phi 7.5 \times \Phi 6.5$	113049800024		
	$\Phi 8 \times \Phi 7$	113012100050		
	$\Phi 8.5 \times \Phi 7.5$	113012100051		
	$\Phi 9.5 \times \Phi 8.5$	113049800026		
	$\Phi 10 \times \Phi 9$	113049800027		
 <p>D-SUB 9PIN drivepipe</p>	$\Phi 11 \times \Phi 10$	114029800340		
	$\Phi 9 \times \Phi 8$	114029800338		
	$\Phi 8.5 \times \Phi 7.5$	114029800341		
	$\Phi 10 \times \Phi 9$	114029800344		
	$\Phi 10.2 \times \Phi 9.2$	114029800429		
	$\Phi 10.5 \times \Phi 9.5$	114029800353		
	$\Phi 6 \times \Phi 5$	114029800373		
	$\Phi 6.5 \times \Phi 5.5$	114029800345		
	$\Phi 7 \times \Phi 6$	114029800346		
	$\Phi 7.5 \times \Phi 6.5$	114029800347		
	$\Phi 8 \times \Phi 7$	114029800348		
	$\Phi 9.5 \times \Phi 8.5$	114029800349		
	$\Phi 11.5 \times \Phi 10.5$	114029800350		
	$\Phi 12 \times \Phi 11$	114029800351		
	$\Phi 12.5 \times \Phi 11.5$	114029800352		
	$\Phi 13 \times \Phi 12$	114029800374		
$\Phi 13.5 \times \Phi 12.5$	114029800375			
$\Phi 14 \times \Phi 13$	114029800376			
$\Phi 14.5 \times \Phi 13.5$	114029800377			
$\Phi 15 \times \Phi 14$	114029800378			

Description	Type No.	Order No.	Drawing	Dimensions in mm																															
Butt assembly  	YG310-01-03-00/1	115440000201	 <table border="1"> <thead> <tr> <th>Type No.</th> <th>A</th> <th>B</th> <th>C</th> <th>D</th> <th>E</th> </tr> </thead> <tbody> <tr> <td>YG310-01-03-00/1</td> <td>86mm</td> <td>44mm</td> <td>69mm</td> <td>54.5mm</td> <td>84mm</td> </tr> <tr> <td>YG310-01-03-00/2</td> <td>99mm</td> <td>57mm</td> <td>82mm</td> <td>67.5mm</td> <td>97mm</td> </tr> <tr> <td>YG310-01-03-00/3</td> <td>119.5mm</td> <td>77.5mm</td> <td>102.5mm</td> <td>88mm</td> <td>117.5mm</td> </tr> <tr> <td>YG310-01-03-00/4</td> <td>146mm</td> <td>104mm</td> <td>129mm</td> <td>114.5mm</td> <td>144mm</td> </tr> </tbody> </table>	Type No.	A	B	C	D	E	YG310-01-03-00/1	86mm	44mm	69mm	54.5mm	84mm	YG310-01-03-00/2	99mm	57mm	82mm	67.5mm	97mm	YG310-01-03-00/3	119.5mm	77.5mm	102.5mm	88mm	117.5mm	YG310-01-03-00/4	146mm	104mm	129mm	114.5mm	144mm	YG310-01-03-00/2	115440000202
	Type No.	A		B	C	D	E																												
	YG310-01-03-00/1	86mm		44mm	69mm	54.5mm	84mm																												
	YG310-01-03-00/2	99mm		57mm	82mm	67.5mm	97mm																												
YG310-01-03-00/3	119.5mm	77.5mm	102.5mm	88mm	117.5mm																														
YG310-01-03-00/4	146mm	104mm	129mm	114.5mm	144mm																														
YG310-01-03-00/3	115440000203																																		
YG310-01-03-00/4	115440000204																																		
Guide contact	HDC -guide contact	114039803627																																	
guide sleeve	HDC -guide sleeve	114039803628																																	
cable terminal	10mm <sup>2</sup>	114020100607																																	
	16mm <sup>2</sup>	113029800064																																	
	25mm <sup>2</sup>	114020100760	