

## THE TWO CROE 12mm HIGH VOLTAGE METAL CONNECTOR SPECIFICATION

### 2芯12mm金属高压连接器规格书

#### FOREWORD

This document is the property of Ebusbar and cannot be used, reproduced, transmitted or disclosed without their prior authorization.

Revision A				
Issued 发布	Date/日期	2019-02-25		
	Name/姓名	Roger		
	Signature/签名			
Checked 检查	Date/日期	2019-02-25		
	Name/姓名	Kermit		
	Signature/签名			
Approved 批准	Date/日期	2019-02-25		
	Name/姓名	Safe		
	Signature/签名			

#### Note

Fundamental modifications, compared with the previous edition, are indicated by a vertical line in the right margin.

<u>REVISION:</u> A1	<u>ECR/ECN INFORMATION:</u> ECN No: DATE: 2019-02-25	<u>TITLE:</u> 2芯12mm金属高压连接器规格书	<u>SHEET No:</u> 1 of 8
<u>DOCUMENT NUMBER:</u> BHV-20180101		<u>CREATED / REVISED BY:</u> Roger	<u>CHECKED BY:</u> Kermit
		<u>APPROVED BY:</u> Safe	



### MODIFICATIONS

REVISION	DATE	AUTHOR	LOC. DESCRIPTION
A0	2018-01-22	LFX	The official version
A1	2019-02-25	Roger	Add Socket And Panel To Prevent Stalling

CONFIDENTIAL

<b>REVISION:</b> A1	<b>ECR/ECN INFORMATION:</b> ECN No: DATE: 2019-02-25	<b>TITLE:</b> 2芯12mm金属高压连接器规格书			<b>SHEET No:</b> 2 of 8
<b>DOCUMENT NUMBER:</b> BHV-20180101		<b>CREATED / REVISED BY:</b> Roger	<b>CHECKED BY:</b> Kermit	<b>APPROVED BY:</b> Safe	

## 适用范围 Scope

This specification defines new product specifications: used of demonstration.

此规范定义:用于新产品规格示范说明.

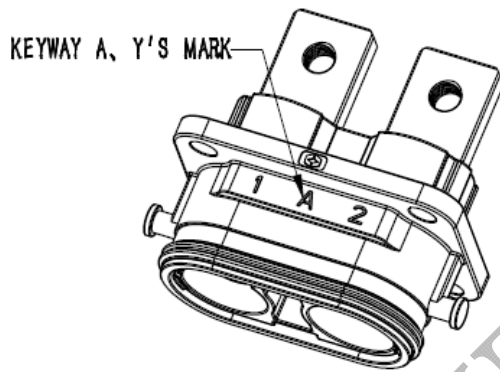
## 2芯12mm金属高压连接器插座

### The two core 12mm high voltage metal connector socket

#### 一、产品基本信息 Product Information

产品名称: 2芯12mm金属高压连接器插座

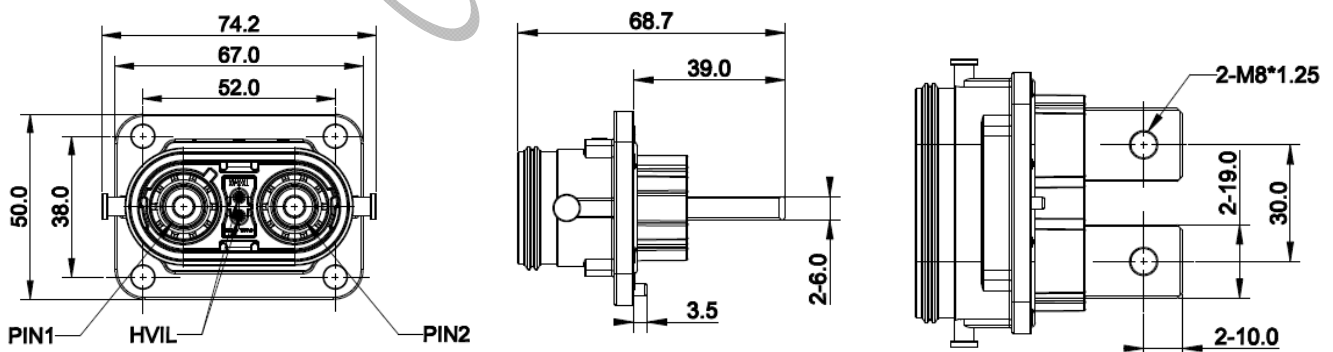
Product Name: The two core 12mm high voltage metal connector socket



#### 二、产品外形尺寸 Product Shape Dimension

2芯12mm金属高压连接器插座

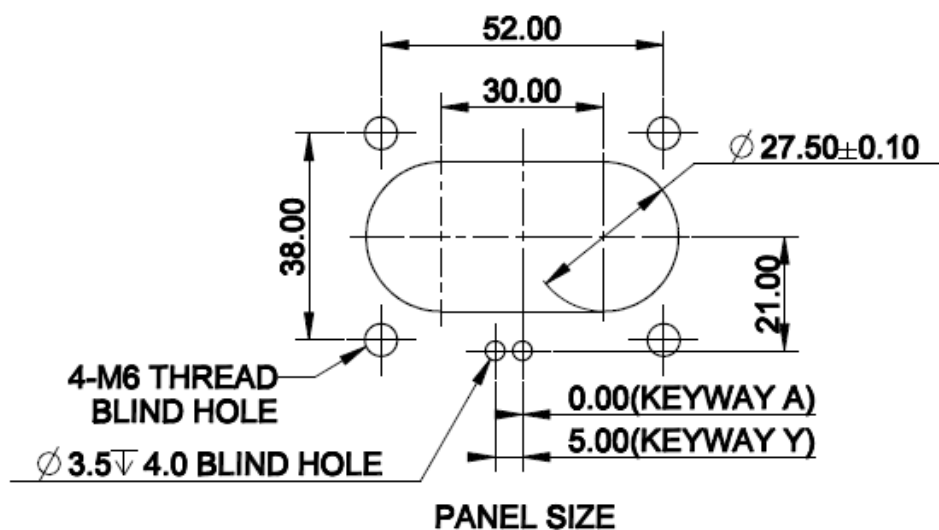
(以116-2811-0002为例,详细尺寸请参照客户图面)



<u>REVISION:</u> A1	<u>ECR/ECN INFORMATION:</u> ECN No: DATE: 2019-02-25	<u>TITLE:</u> 2芯12mm金属高压连接器规格书	<u>SHEET No:</u> 3 of 8
<u>DOCUMENT NUMBER:</u> BHV-20180101	<u>CREATED / REVISED BY:</u> Roger	<u>CHECKED BY:</u> Kermit	<u>APPROVED BY:</u> Safe

## 三、产品安装规格 Product Installation Specification

注：安装规格，如下图所示



## 四、产品的技术参数 Product Technical Parameter

项目 Topic	要求 Requirement	项目 Topic	要求 Requirement
额定电压 Rated Voltage	800V DC	污染等级 Pollution Degree	2 级
额定电流 Rated Current	250A Max.	防护等级 IP Class	IP67
绝缘电阻 Insulation Resistance	200MΩ Min.	阻燃等级 Flame Class	UL94 V-0 (硅胶件除外)
工作温度 Operate Temperature	-40℃ ~ +125℃	插拔力 Mated Force	≤100N
耐电压 Withstand Voltage	3500V AC	插拔寿命 Mated Cycles	插拔 100 次 (空载) 100 Cycles (Unload)
振动 Shock	10G	耐腐蚀性 Corrosion Resistance	5% NaCl 96H

<u>REVISION:</u> A1	<u>ECR/ECN INFORMATION:</u> ECN No: DATE: 2019-02-25	<u>TITLE:</u> 2芯12mm金属高压连接器规格书	<u>SHEET No:</u> 4 of 8
<u>DOCUMENT NUMBER:</u> BHV-20180101	<u>CREATED / REVISED BY:</u> Roger	<u>CHECKED BY:</u> Kermit	<u>APPROVED BY:</u> Safe

## 2芯12mm金属高压连接器规格书

### 五、产品选型 Product Order Number

产品名称: 2 芯 12mm 金属高压连接器插座

Product Name: The two core 12mm high voltage metal connector socket

产品名称 Product Name	产品接线方式	产品编号 Product No.	键位 Key Style	电镀 Plate	规格 Dimension
2 芯 12mm 金属高压连接器插座	尾部铜排过 M8 螺纹孔	116-2811-0052	A	镀镍	过 M8 螺栓
	尾部铜排过 M8 螺纹孔	116-2812-0052	Y	镀镍	过 M8 螺栓
	尾部铜排过 M6 螺纹孔	116-2811-0053	A	镀镍	过 M6 螺栓
	尾部铜排过 M6 螺纹孔	116-2812-0053	Y	镀镍	过 M6 螺栓

<u>REVISION:</u> A1	<u>ECR/ECN INFORMATION:</u> <u>ECN No:</u> <u>DATE:</u> 2019-02-25	<u>TITLE:</u> 2芯12mm金属高压连接器规格书	<u>SHEET No:</u> 5 of 8
<u>DOCUMENT NUMBER:</u> BHV-20180101	<u>CREATED / REVISED BY:</u> Roger	<u>CHECKED BY:</u> Kermit	<u>APPROVED BY:</u> Safe

# 2芯12mm金属高压连接器规格书

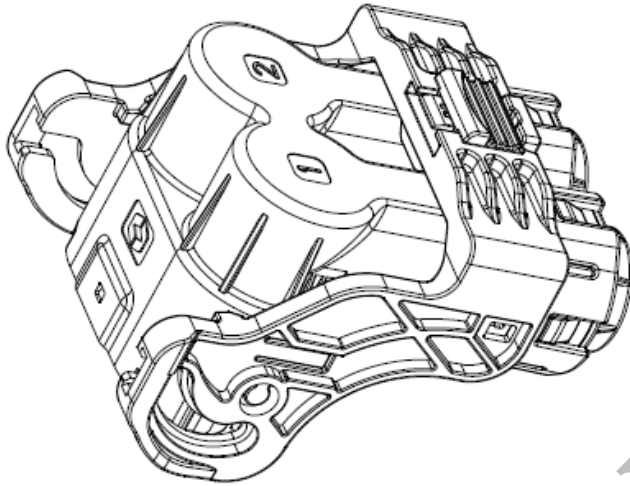
## 2芯12mm金属高压连接器弯插头

### The two core 12mm high voltage metal connector angle plug

#### 一、产品基本信息 Product information

产品名称：2芯12mm金属高压连接器弯插头

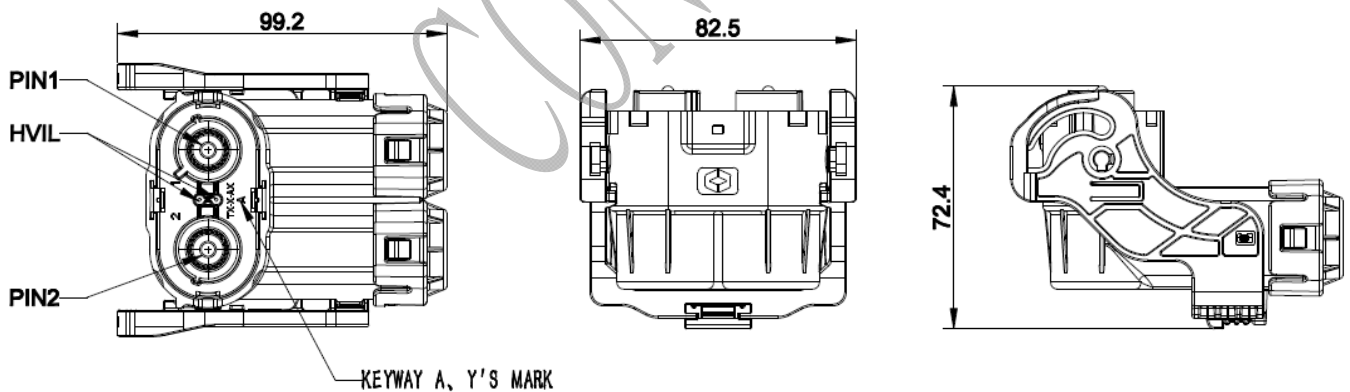
Product Name: The two core 12mm high voltage metal connector angle plug



#### 二、产品外形尺寸 Product Shape Dimension

2芯12mm金属高压连接器弯插头

(以116-2831-0003为例，详细尺寸请参照客户图面)



<u>REVISION:</u> A1	<u>ECR/ECN INFORMATION:</u> ECN No: DATE: 2019-02-25	<u>TITLE:</u> 2芯12mm金属高压连接器规格书	<u>SHEET No:</u> 6 of 8
<u>DOCUMENT NUMBER:</u> BHV-20180101	<u>CREATED / REVISED BY:</u> Roger	<u>CHECKED BY:</u> Kermit	<u>APPROVED BY:</u> Safe

### 三、产品的技术参数 Product Technical Parameter

项目 Topic	要求 Requirement	项目 Topic	要求 Requirement
额定电压 Rated Voltage	800V DC	污染等级 Pollution Degree	2 级
额定电流 Rated Current	250A Max.	防护等级 IP Class	IP67
绝缘电阻 Insulation Resistance	200MΩ Min.	阻燃等级 Flame Class	UL94 V-0 (硅胶件除外)
工作温度 Operate Temperature	-40℃ ~ +125℃	插拔力 Mated Force	≤100N
耐电压 Withstand Voltage	3500V AC	插拔寿命 Mated Cycles	插拔 100 次 (空载) 100 Cycles (Unload)
振动 Shock	10G	耐蚀腐蚀性 Corrosion Resistance	5% NaCl 96H

<u>REVISION:</u> A1	<u>ECR/ECN INFORMATION:</u> ECN No: DATE: 2019-02-25	<u>TITLE:</u> 2芯12mm金属高压连接器规格书	<u>SHEET No:</u> 7 of 8
<u>DOCUMENT NUMBER:</u> BHV-20180101		<u>CREATED / REVISED BY:</u> Roger	<u>CHECKED BY:</u> Kermit
		<u>APPROVED BY:</u> Safe	

## 2芯12mm金属高压连接器规格书

### 四、产品选型 Product Order Number

2芯12mm金属高压连接器弯插头

Product Name: The two core 12mm high voltage metal connector angle plug

产品名称 Product Name	产品接线方式	产品编号 Product No.	键位 Key Style	电镀 Plate	规格 Dimension
2芯12mm金属高压连接器弯插头	压接	116-2831-0051	A	镀镍	GB/T12528 70mm <sup>2</sup> 屏蔽线缆 OD=Φ19.5±0.5
		116-2832-0051	Y	镀镍	
		116-2831-0052	A	镀镍	GB/T12528 50mm <sup>2</sup> 屏蔽线缆 OD=Φ17.5±0.5
		116-2832-0052	Y	镀镍	

<u>REVISION:</u> A1	<u>ECR/ECN INFORMATION:</u> ECN No: DATE: 2019-02-25	<u>TITLE:</u> 2芯12mm金属高压连接器规格书		<u>SHEET No:</u> 8 of 8
<u>DOCUMENT NUMBER:</u> BHV-20180101		<u>CREATED / REVISED BY:</u> Roger	<u>CHECKED BY:</u> Kermit	<u>APPROVED BY:</u> Safe