

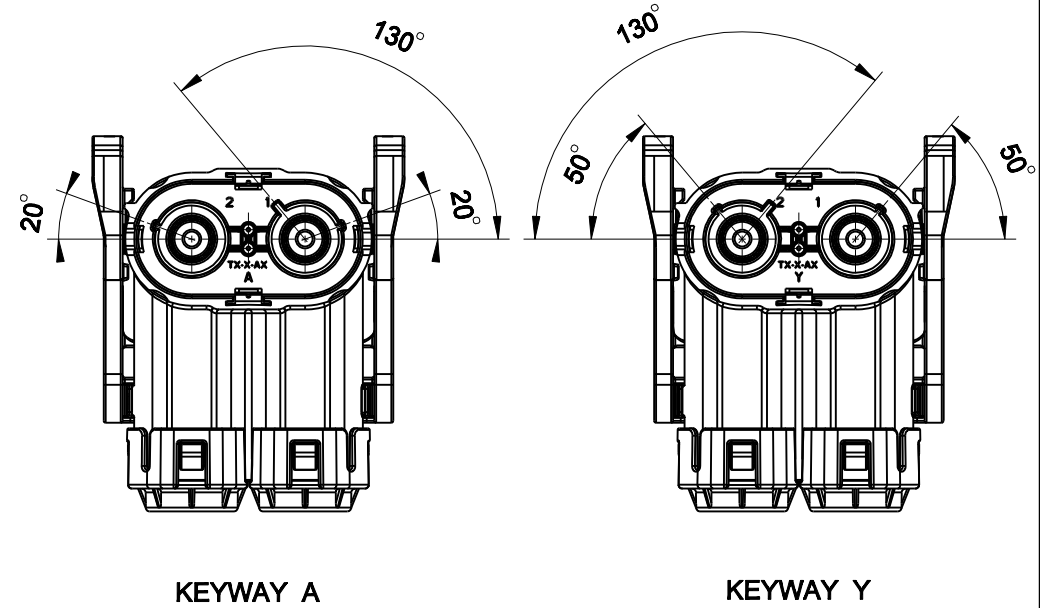
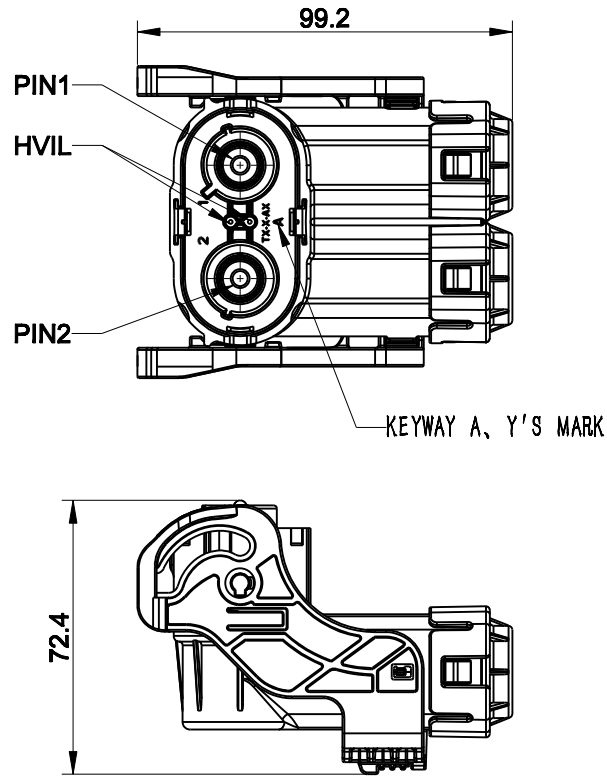
产品料号: 116-283X-00XX

图别 / TYPE

S

CUSTOMER DRAWING

| REV | | | REVISIONS | | | |
|------|-----|----|----------------------|-----------|-----|------|
| ZONE | ECN | | DESCRIPTION | DATE | BY | APPR |
| A0 | -- | -- | THE OFFICIAL VERSION | 12-Oct-21 | 张东伟 | |



注(NOTES):

1. 材料 Material
 - 1.1 绝缘件 Insulation Parts: 尼龙66, UL94-V0, 橙色 RAL2003 PA66, UL94-V0, Orange RAL2003,
 - 1.2 外壳 Shell: 铝合金, 镀镍 Al Alloy, Nickel Plated,
 - 1.3 端子 Contact: 铜合金, 镀银 Copper Alloy, Silver Plated,
 - 1.4 屏蔽件 Shielding: 铜合金, 镀银 Copper Alloy, Silver Plated,
 - 1.5 密封件 Seal: 硅橡胶 Silicone Rubber,
2. 规格 Specification
 - 2.1 工作温度 Operating Temperature: -40°C TO $+125^{\circ}\text{C}$,
 - 2.2 额定电压 Rated Voltage: 1000V DC,
 - 2.3 额定电流 Rated Current: 250A Max.,
 - 2.4 耐电压 Withstanding Voltage: 3500V AC,
 - 2.5 绝缘电阻 Insulation Resistance: $200\text{M}\Omega$ Min.,
 - 2.6 防护等级(配合后) Protection Class (mated): IP67,
 - 2.7 电磁屏蔽(可选) Shielding (Optional),
 - 2.8 机械寿命 Mating Cycle: 100 Min.,
 - 2.9 带高压互锁 Electrical Interlock (HVIL),
 - 2.10 外壳盐雾 Shell Salt Spray: 96 Hrs,

| 未注公差 UNLESS OTHERWISE SPECIFIED | | 线性尺寸范围 | | 角度尺寸范围 | |
|---------------------------------|-----------|-----------|-----------|-----------|-------------------|
| 尺寸 | 公差 | 尺寸 | 公差 | 尺寸 | 公差 |
| 0 ~ 6 | ± 0.1 | 0 ~ 10 | ± 0.5 | 0 ~ 10 | $\pm 1.3^{\circ}$ |
| 6 ~ 30 | ± 0.2 | 10 ~ 50 | ± 1 | 10 ~ 50 | $\pm 1^{\circ}$ |
| 30 ~ 100 | ± 0.3 | 50 ~ 100 | ± 1.5 | 50 ~ 100 | $\pm 1^{\circ}$ |
| 100 ~ 400 | ± 0.5 | 100 ~ 400 | ± 2 | 100 ~ 400 | $\pm 1.5^{\circ}$ |
| 400 ~ 1000 | ± 0.8 | >400 | ± 4 | >400 | $\pm 1.5^{\circ}$ |
| 1000 ~ 8000 | ± 1.0 | | | | |

(1)所有尺寸为公制(mm). All dimensions are in metric(mm).
 (2)未注公差加右表: Tolerances are as right:

| 签名 SIGNATURE | 日期 DATE | 材料 MATERIAL SPECIFICATIONS: |
|--------------|------------|------------------------------|
| 张东伟 | 2021-10-12 | SEE NOTES |
| 制图 DRAWN | | 第三角投影 THIRD ANGLE PROJECTION |
| 审核 CHECKED | | 幅面 SIZE A4 |
| 工艺 ENGINEER | | 版次 REV. A1 |
| 批准 APPROVAL | | 比例 SCALE 1:2 |
| 客户 CUSTOMER | | 客户料号 CUSTOMER PART NO. N/A |



| | |
|--------------|------------------|
| 产品名称 NAME: | 2芯12mm金属高压连接器弯插头 |
| 料号 PART NO.: | SEE TABLE |
| 客户料号 OP/N.: | N/A |
| 图号 DWG NO.: | S-116-283X-00XX |

This document is the property of Ebusbar. It must not be reproduced or communicated without permission.

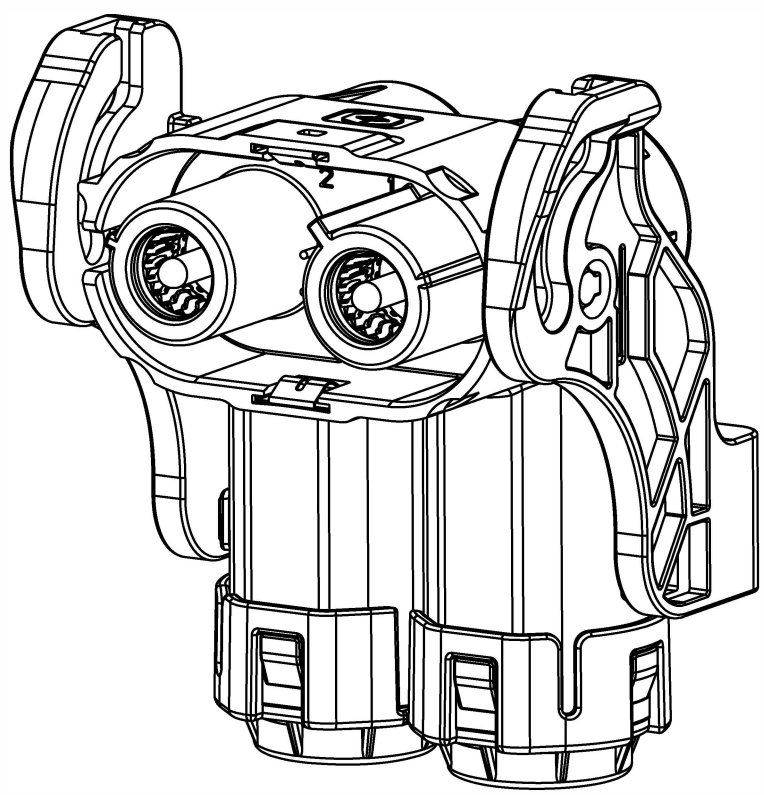
产品料号: 116-283X-00XX

图别 / TYPE

S

CUSTOMER DRAWING

| REV | | ZONE | ECN | REVISIONS | | |
|----------------------|--|------|-----|-----------|-----|------|
| DESCRIPTION | | | | DATE | BY | APPR |
| THE OFFICIAL VERSION | | | | 12-Oct-21 | 张东伟 | |



选型见右表。

| cable spec | 线缆标准 | Akey | Y key | OD | rated current |
|-------------------------------|-----------|---------------|---------------|--------------|---------------|
| 5 0mm ² shielded | LV-216 | 116-2831-0012 | 116-2832-0012 | ∅ 15.5±0.4mm | 200A |
| 5 0mm ² unshielded | | 116-2831-0019 | 116-2832-0019 | ∅ 12.8±0.4mm | |
| 70mm ² shielded | LV-216 | 116-2831-0017 | 116-2832-0017 | ∅ 17.8±0.4mm | 250A |
| 70mm ² unshielded | | 116-2831-0018 | 116-2832-0018 | ∅ 14.7±0.4mm | |
| 5 0mm ² shielded | GB/T12528 | 116-2831-0021 | 116-2832-0021 | ∅ 17.5±0.5mm | 200A |
| 5 0mm ² unshielded | | 116-2831-0014 | 116-2832-0014 | ∅ 13.5±0.4mm | |
| 70mm ² shielded | | 116-2831-0020 | 116-2832-0020 | ∅ 19.5±0.5mm | 250A |
| 70mm ² unshielded | | 116-2831-0013 | 116-2832-0013 | ∅ 15.3±0.4mm | |

| 未注公差 UNLESS OTHERWISE SPECIFIED (1)所有尺寸为公制(mm). All dimensions are in millimeters. (2)未注公差如右表: Tolerances are as right: | | <table border="1"> <thead> <tr> <th>线性尺寸范围</th> <th>.XX</th> <th>.X</th> <th>角度尺寸范围</th> <th>.XX</th> <th>.X</th> </tr> </thead> <tbody> <tr> <td>0 ~ 6</td> <td>±0.1</td> <td>±0.5</td> <td>0 ~ 10</td> <td>±1.3°</td> <td>±3°</td> </tr> <tr> <td>6 ~ 30</td> <td>±0.2</td> <td>±1</td> <td>10 ~ 60</td> <td>±1°</td> <td>±3°</td> </tr> <tr> <td>30 ~ 120</td> <td>±0.3</td> <td>±1.5</td> <td>60 ~ 120</td> <td>±30'</td> <td>±1°</td> </tr> <tr> <td>120 ~ 400</td> <td>±0.5</td> <td>±2.5</td> <td>120 ~ 400</td> <td>±15'</td> <td>±35'</td> </tr> <tr> <td>400 ~ 1000</td> <td>±0.8</td> <td>±4</td> <td>>400</td> <td>±10'</td> <td>±60'</td> </tr> <tr> <td>1000 ~ 2000</td> <td>±1.2</td> <td>±6</td> <td></td> <td></td> <td></td> </tr> </tbody> </table> | 线性尺寸范围 | .XX | .X | 角度尺寸范围 | .XX | .X | 0 ~ 6 | ±0.1 | ±0.5 | 0 ~ 10 | ±1.3° | ±3° | 6 ~ 30 | ±0.2 | ±1 | 10 ~ 60 | ±1° | ±3° | 30 ~ 120 | ±0.3 | ±1.5 | 60 ~ 120 | ±30' | ±1° | 120 ~ 400 | ±0.5 | ±2.5 | 120 ~ 400 | ±15' | ±35' | 400 ~ 1000 | ±0.8 | ±4 | >400 | ±10' | ±60' | 1000 ~ 2000 | ±1.2 | ±6 | | | |  <p>产品名称 NAME: 2 POS 12mm metal HV angled plug</p> |
|---|---|---|------------------------|-------|------|--------|-----|----|-------|------|------|--------|-------|-----|--------|------|----|---------|-----|-----|----------|------|------|----------|------|-----|-----------|------|------|-----------|------|------|------------|------|----|------|------|------|-------------|------|----|--|--|--|---|
| 线性尺寸范围 | .XX | .X | 角度尺寸范围 | .XX | .X | | | | | | | | | | | | | | | | | | | | | | | | | | | | | | | | | | | | | | | | |
| 0 ~ 6 | ±0.1 | ±0.5 | 0 ~ 10 | ±1.3° | ±3° | | | | | | | | | | | | | | | | | | | | | | | | | | | | | | | | | | | | | | | | |
| 6 ~ 30 | ±0.2 | ±1 | 10 ~ 60 | ±1° | ±3° | | | | | | | | | | | | | | | | | | | | | | | | | | | | | | | | | | | | | | | | |
| 30 ~ 120 | ±0.3 | ±1.5 | 60 ~ 120 | ±30' | ±1° | | | | | | | | | | | | | | | | | | | | | | | | | | | | | | | | | | | | | | | | |
| 120 ~ 400 | ±0.5 | ±2.5 | 120 ~ 400 | ±15' | ±35' | | | | | | | | | | | | | | | | | | | | | | | | | | | | | | | | | | | | | | | | |
| 400 ~ 1000 | ±0.8 | ±4 | >400 | ±10' | ±60' | | | | | | | | | | | | | | | | | | | | | | | | | | | | | | | | | | | | | | | | |
| 1000 ~ 2000 | ±1.2 | ±6 | | | | | | | | | | | | | | | | | | | | | | | | | | | | | | | | | | | | | | | | | | | |
| 签名 SIGNATURE: 张东伟 日期 DATE: 2021-10-12 | 材料 MATERIAL SPECIFICATIONS: SEE NOTES | | 料号 PART NO.: SEE TABLE | | | | | | | | | | | | | | | | | | | | | | | | | | | | | | | | | | | | | | | | | | |
| 制图 DRAWN: 张东伟 审核 CHECKED: 工艺 ENGINEER: 批准 APPROVAL: 客户 CUSTOMER: | 第三角投影 THIRD ANGLE PROJECTION 幅面 SIZE: A4 质量 MASS: 版次 REV.: A1 比例 SCALE: 1:2 | 客户料号 CP/N: N/A 图号 DWG NO.: S-116-283X-00XX | SHEET 2 OF 2 | | | | | | | | | | | | | | | | | | | | | | | | | | | | | | | | | | | | | | | | | | |

This document is the property of Ebusbar. It must not be reproduced or communicated without permission.